



### MEMBRANE SPECIFICATION

**Colour:**  
red (top)

**Weight:**  
292 g/m<sup>2</sup>

**Dimensions:**  
Roll size: 1.5m x 50m

### I OVERVIEW

#### WRAPTITE MEMBRANE

- Wraptite is an externally applied fully adhered vapour permeable weather resistant air barrier membrane for walls and warm non-ventilated roofs. It consists of a triple layer polypropylene micro-porous film laminate, with a proprietary acrylic moisture vapour permeable adhesive and silicone-coated PET release liner.
- Wraptite bonds easily to multiple substrates. Primer is not required. Adhesive curing time = approx. 6hrs depending on environmental conditions. It must not be applied in areas where it will be permanently exposed to UV light e.g. behind open-jointed cladding.

#### WRAPTITE LIQUID FLASHING (LF)

- Wraptite Liquid Flashing (LF) is a high-quality, gunable, low-odour, elastomeric, polyether, liquid-applied flashing and detailing membrane.
- Wraptite LF bonds easily to multiple substrates. 1x 600ml Wraptite LF sausage covers approx. 1.4 - 1.8m<sup>2</sup>. Product skins within 30 minutes at 21°C (70°F) and 50% relative humidity. Low temperatures + low relative humidity will slow drying time. High temperatures + high relative humidity will accelerate drying time. Coverage rates will vary depending on the substrate. Primer is not required.
- Wraptite LF is compatible with the entire range of A. Proctor Group's vapour permeable products and is ideal for use in complex details. It may also be used to protect the leading edge of Wraptite membrane, tape and corners from water ingress if those edges cannot be protected by overlapping in a shingle fashion.

#### STORAGE & HANDLING

- Wraptite must be protected from rain and physical damage. Pallets of membrane must not be double-stacked, stored in dry areas away from heat, sparks and flame, with allowances for adequate ventilation. Rolls of Wraptite must be stored vertically.
- Store only as much material at point of use as is required for each day's usage in temperatures not exceeding 32C for extended periods. Shelf life: 10 years.

### 2 TOOLS REQUIRED

- Utility Knife
- Marker Pen
- Barrel Sealant Gun
- Rubber Roller
- Measuring Tape
- Putty Knife
- Stiff Brush
- Scissors
- Clean Cloth

### 3 SUBSTRATE PREPARATION

- Substrate condition is critical to the adhesive performance of any self-adhered membrane or liquid-applied flashing.
- Surfaces must be clean, dry and free from all bond-breaking contaminants, sharp protrusions or other matter that may hinder adhesion to the substrate. Clean any loose dust or dirt from the substrate by wiping with a clean dry cloth or brush. Remove and replace any damaged structural wall components.

#### WRAPTITE MEMBRANE, TAPE & CORNERS

- Can be applied to various substrates including:
  - > Aluminium (Painted or Mill Finish)
  - > Anodised Aluminium
  - > Concrete Block
  - > Exterior Grade Gypsum / Fibre Board
  - > Galvanised Metal
  - > In-Situ Concrete
  - > OSB
  - > Precast Concrete
  - > Pre-Painted Steel
  - > Rigid Vinyl
  - > Steel
  - > Plywood

#### WRAPTITE LIQUID FLASHING (LF):

- Can be applied to various substrates including:
  - > Aluminium (Painted or Mill Finish)
  - > Exterior Sheathing
  - > Concrete
  - > Vinyl
  - > Brick
  - > Wood

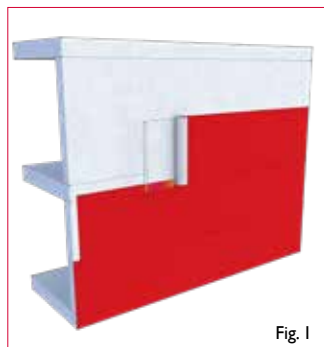


## 4 INSTALLATION: BEST PRACTICE

- Building design requirements should be considered prior to application of Wrraprite to minimise waste. Penetrations/openings will need to be correctly detailed to ensure a weather and air tight installation.
- Keep Wrraprite in the original packaging which also functions as a dispenser. Wrraprite is easily cut to desired lengths and can be installed in either a vertical or horizontal orientation. Use a hand roller and stiff brush to ensure an effective bond with the substrate.
- **IMPORTANT:** Failure to roller the membrane effectively may result in poor adhesion to the substrate. Poor adhesion may result in air pockets (bubbles) appearing, especially when Wrraprite is facing into direct sunlight. To remedy this, roller over the bubbles ensuring a proper bond to the substrate is achieved.
- Always install with an overlap, with the upper courses lapped over lower courses. Wrraprite installed around penetrations such as windows and doors must be installed in the correct sequence to ensure an overlapping "shingled" result.
- All horizontal and vertical overlaps must be a minimum of 75mm. Vertical overlaps should be staggered from floor-to-floor or separated by a horizontally applied Wrraprite strip. Internal and external vertical corners should have a minimum overlap of 150mm.
- At the end of each working day, protect the leading edge of Wrraprite with a temporary tarpaulin to ensure liquid water does not seep behind the membrane.
- Wrraprite should only be applied in dry weather when air and surface temperatures are above -10°C. Do not install Wrraprite in adverse weather conditions.
- Wrraprite should be covered with the final external protective layer (i.e.: cladding, roofing) within 120 days. If exceeding this limit is unavoidable, protect Wrraprite from the elements with a tarpaulin.
- All walling and roofing membranes require protection from heavy/prolonged rainfall and extreme weather events while being installed. Waterproofing materials (e.g. tarpaulins) should be utilised as necessary to ensure the leading edges of all membranes and interior spaces are protected until the primary cladding and roofing is in place.
- Wrraprite Liquid Flashing is not for use in place of Wrraprite Membrane, as a structural sealant, or in locations below ground or that will be continuously in contact with water.

## 5 HORIZONTAL INSTALLATION (2-person method)

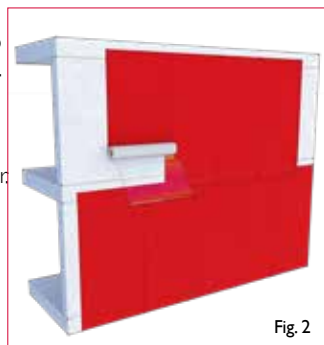
1. Snap chalkline for guidance.
2. Pre-cut material to required length.
3. Roll cut length with release paper outwards.
4. Starting at corner, peel back release paper by approx 150mm. (Fig.1)
5. Fold release paper back, and using hand roller or stiff brush, lightly apply the exposed glue surface to the prepared substrate.
6. Starting in the middle, use hand roller or stiff brush to smooth out any air bubbles, releasing the air to each side.



## 6 VERTICAL INSTALLATION (1-person method)

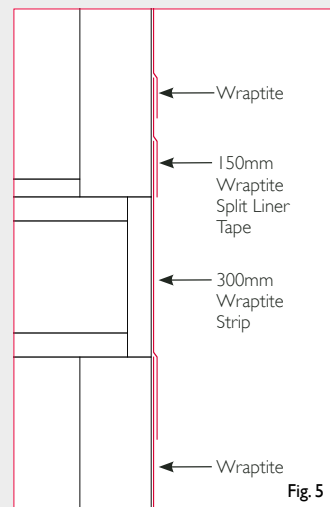
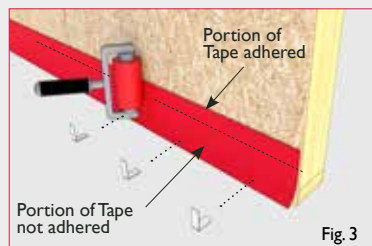
FOLLOW PRECEDING STEPS 1-5, THEN:

6. Allow rest of rolled up material to drop down - with release paper still attached. Check for proper alignment (Fig.2).
7. When aligned, use hand roller or stiff brush across the entire adhered section.
8. Drop roll down, pulling off release paper.
9. Smooth out air bubbles. with stiff brush / roller.
10. Proceed with next row, ensuring minimum 75mm overlap, always in shingled fashion.



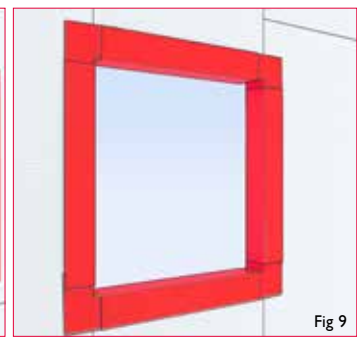
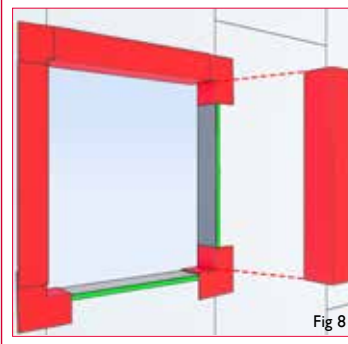
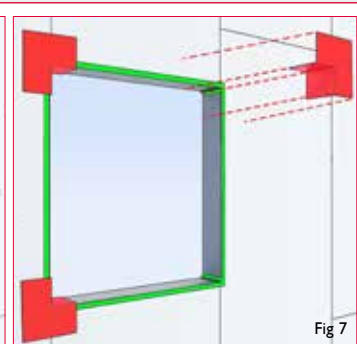
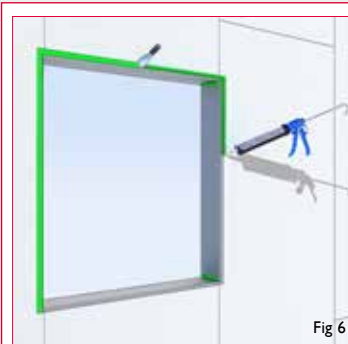
## 7 WALL & FLOOR CONNECTIONS

1. Apply 150mm Wrraprite Split Liner Tape to the bottom edge of the wall panel. Create a flap by adhering the top half of the Tape only using the release liner. Roller top edge well. (Fig.3)
2. Use masking tape to hold down the flap temporarily. Apply Wrraprite Membrane to the rest of the wall panel.
3. On site, remove masking tape. Use a 300mm wide strip of Wrraprite Membrane to seal the floor zone and to make a shingled connection between floor and walls. (Fig.4-5)



## 8 WINDOW & DOOR OPENINGS

1. Pre-fill joints, gaps and cracks >6mm with a bead of Wrraprite LF and allow to cure fully. (Fig.6)
2. Fill remaining joints, gaps and cracks <6mm with Wrraprite LF and smooth across the rough surface with a putty knife.
3. Finish door and window detailing using pre-formed Wrraprite Corners and Wrraprite Split Liner Tape (Figs.7-9).



## TECHNICAL ADVICE

The A. Proctor Group has a dedicated Technical Department which can help with installation details, view drawings for approval and give specialist advice on the correct use of the A. Proctor Group products.

**Telephone:** +44 (0)1250 872261  
**Email:** [contact@proctorgroup.com](mailto:contact@proctorgroup.com)  
**Website:** [www.proctorgroup.com](http://www.proctorgroup.com)



## 09 ROOFS

### Overview

- Wraptite Membrane is appropriate for use as a fully supported underlay in warm roof applications, including tiled, slated and metal roof applications constructed in accordance with BS5534:2014.
- Wraptite is rated Class W1 for liquid water resistance and can be used as temporary waterproofing for a limited amount of time (see Section 4 'Installation: Best Practice'). The product has a high coefficient of friction, either wet or dry, giving a slip-resistant surface for increased safety during the installation of the outer covering.
- Overlaps must be minimum 75mm horizontally and vertically regardless of roof pitch. Eaves guards should be used to protect the membrane from sunlight.

### Risk of condensation

- As with all roofs, care must be taken in the overall design and installation to minimise the risk of water vapour coming into contact with cold parts of the construction. Factors to be considered and minimised include moisture diffusion through the ceiling, infiltration through unsealed openings/ penetrations in the ceiling and services evaporating or venting moisture into cold spaces.
- For roofs with an insulated inclined ceiling, ventilation above or below the underlay will not be required provided that the passage of moisture by diffusion and by convection is controlled e.g. by a VCL or a continuous envelope of insulation with high vapour resistance. Ventilation above the membrane may be required if specified by the cladding manufacturer.
- For full details, please refer to BBA certificate 15/5274 - Section 7.

### Wind loading

- When fully supported, Wraptite has adequate resistance to wind uplift forces.
- The product may be used at any batten gauge in all wind zones when laid over nominally airtight sheet sarking, for example OSB, plywood, chipboard and insulation for warm-roof design. It may also be used in applications where slates are nailed directly onto sarking boards. Please contact APG if square edged sarking boards are used.

### Installation method

1. Adhere Wraptite to the supporting sheet sarking or insulation by following Sections 5 and 6 of the User Guide for horizontal and vertical installations.
2. Counterbattens at least 12mm thick must be used to create an airspace between the membrane and the tiles to allow drainage and water vapour dispersal.

Fig.10 Warm Tiled Roof Detail



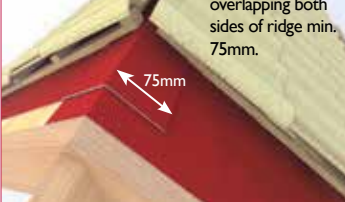
Wraptite fully adhered to substructure with min. 11mm counterbattens.

Fig.11 Warm Metal Roof Detail



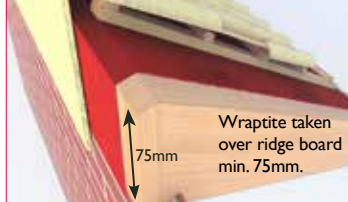
Wraptite fully adhered to substructure. Metal sheet installed according to manufacturer.

Fig. 12 Duopitch ridge detail



Wraptite overlapping both sides of ridge min. 75mm.

Fig. 13 Monopitch ridge detail



Wraptite taken over ridge board min. 75mm.

Fig. 14 Typical vent detail



Membrane with star cut dressed up pipe & taped into place



Fig. 15 Eaves detail

## 10 WALL PENETRATIONS

1. Fill joints, gaps and cracks with Wraptite LF and smooth across the rough surface with a putty knife (Fig.16, 18, 20).
2. Install Wraptite membrane up to the penetration edges.
3. Option 1: Apply a thick bead of Wraptite LF around the penetration and smooth with a putty knife ensuring a min. 100-150mm spread making contact with the penetration, and membrane (Fig.17, 19).
4. Option 2: Use 150mm Wraptite Split Liner Tape to seal the penetration folding half of the tape onto the membrane and the other half onto the penetration. Seal corner seam with Wraptite LF. (Fig.21)



Fig. 16

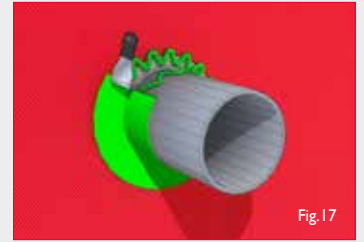


Fig.17



Fig. 18



Fig. 19



Fig. 20

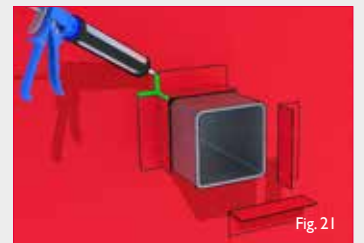


Fig. 21



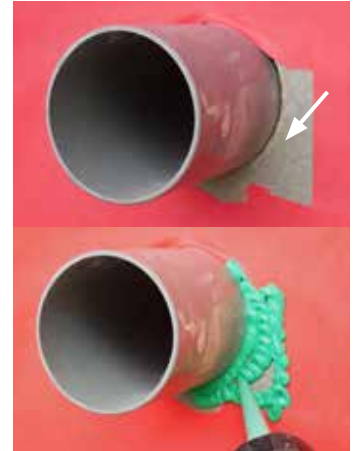
### Creases & Bubbles

Wraptite Membrane should be rolled out and pressed flat to the substrate as much as possible to avoid creating air pockets and bubbles. Some creases are unavoidable.



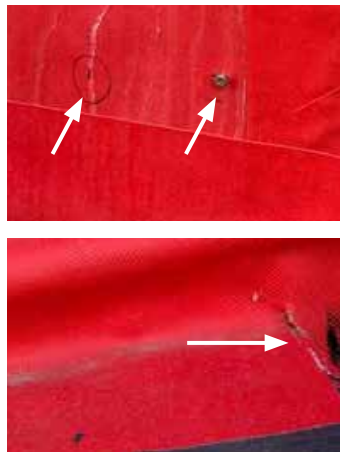
### Exposed Substrate

Large tears and awkward wall penetrations can result in the substrate being left exposed. Seal substrate using Wraptite Tape with a minimum 75mm overlap &/or Liquid Flashing.



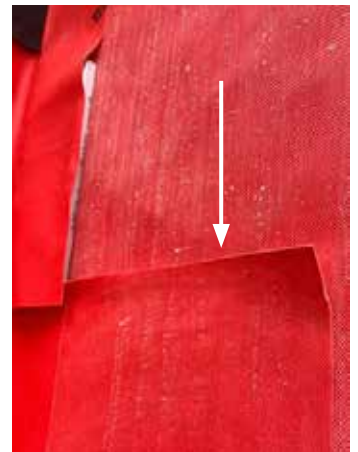
### Small Punctures & Tears

Fixings that are flush or penetrate through the Membrane should be treated with minimum 75mm wide Wraptite Tape. Small tears should be similarly repaired.



### Reverse Shingle

In areas where a reverse shingle effect has occurred, treat either with Wraptite Tape ensuring the overlap onto the surface is a minimum of 75mm, or apply a generous bead of Wraptite Liquid Flashing to the leading edges of the Membrane and smooth over.



### Peel-back & Delamination

Remediate areas of peel-back with Wraptite Tape ensuring a 75mm overlap. If the membrane has lost its adhesion strength, remove the material completely and replace.



### Incomplete Detailing

Areas around window bottoms must be fully lapped under with the Membrane. Remove any excess material.



## CONTACT

**Telephone:**  
+44 (0)1250 872261

**Email:**  
contact@proctorgroup.com

**Website:**  
www.proctorgroup.com