

SET OF END CAPS, SIPHON, O'RING AND LEAF GUARD FOR VELA CHANNEL



INDEX

1. Code Registry
2. Description
3. Use
4. Technical Specification

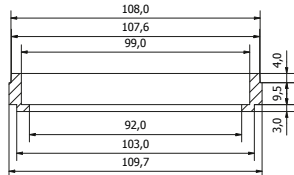
1. CODE REGISTRY

Code	Description	Dimensions (mm)	Weight (kg)	Colour	Pkg. / Pallet
DCD-VL-SK	Set of end caps, siphon, O'ring seal and leaf guard black for VELA channel	-	0,47	Black	1 pc. / 140 pcs

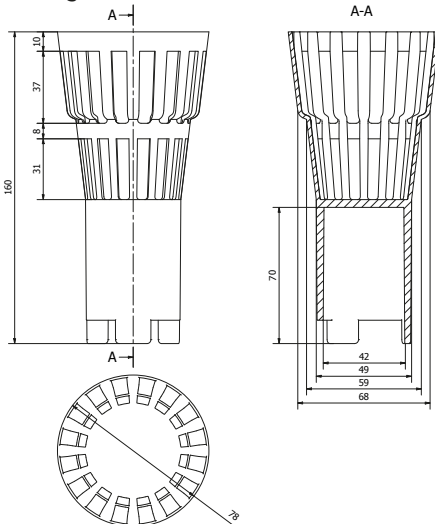
MATERIAL

Made of PP (polypropylene)

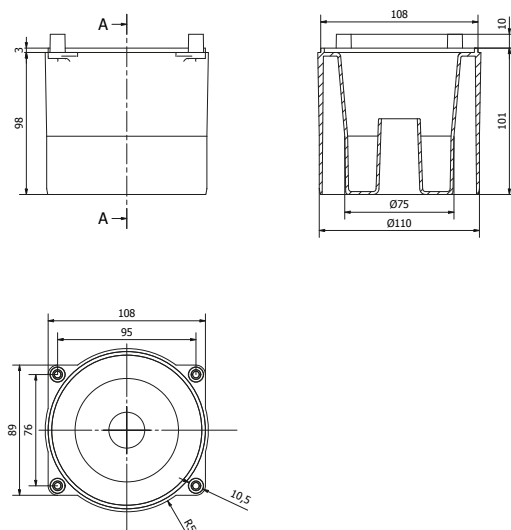
O' ring seal



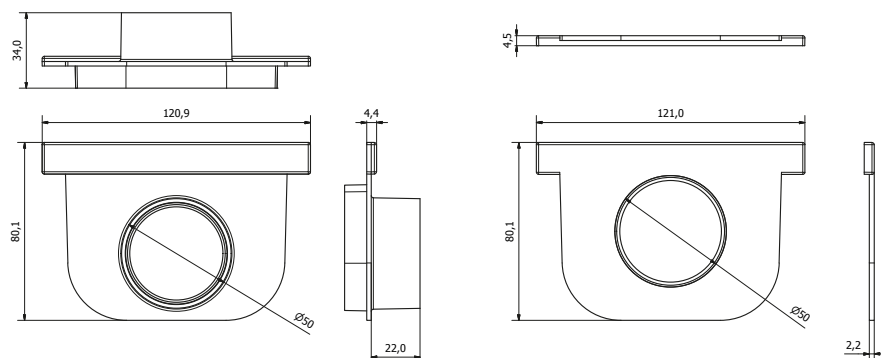
Leaf guard



Siphon



End caps



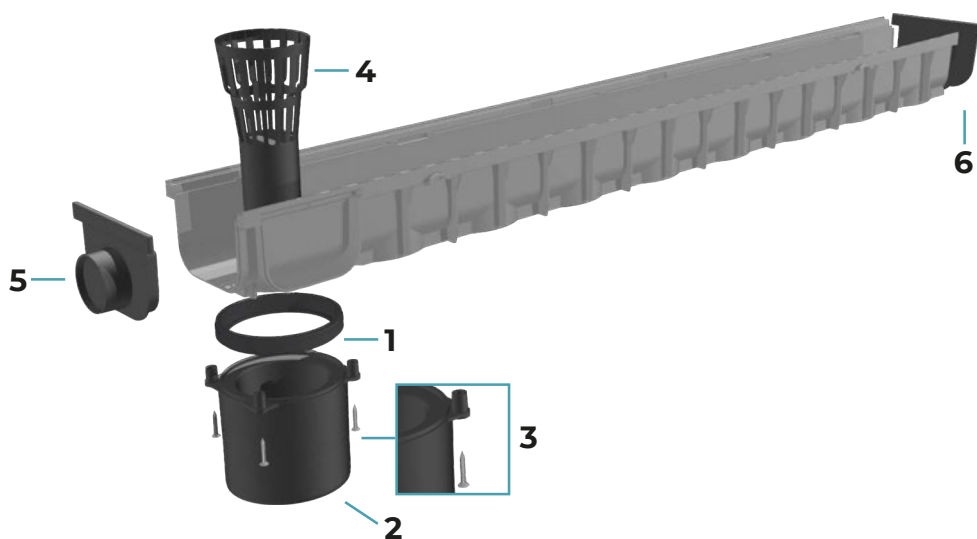
SET OF END CAPS, SIPHON, O'RING AND LEAF GUARD FOR VELA CHANNEL

2. DESCRIPTION

Midi channel accessory set, consisting of:

- no. 1 O'ring seal
- no. 1 Siphon
- no. 4 Screws for fixing the siphon
- no. 1 Leaf guard
- no. 1 Adapter
- no. 1 Flat end cap

3. USE



- | | | | | | | | |
|--|--|--|--|--|---|--|--|
| | <p>1.
Cut the central precut hole Ø 63mm on the bottom of the channel.</p> | | <p>2.
Clean-up the hole from residuals.</p> | | <p>3.
Insert the O'ring seal (item 1) on the external outlet on the bottom of the channel.</p> | | <p>4.
Install the siphon (item 2) over the O'ring seal, paying attention that the screw holes match those on the bottom of the channel.</p> |
| | <p>5.
Fix the siphon by screwing it with the 4 screws supplied (item 3) to the bottom of the channel.</p> | | <p>6.
Turn the channel and insert the leaf guard (item 4)</p> | | <p>7.
Turn the channel and insert the leaf guard (item 4)</p> | | <p>8.
At the end, in the discharge point, insert the end cap with outlet (item 5).</p> |
| | <p>9.
At the end, in the discharge point, insert the end cap with outlet (item 5).</p> | | <p>10.
Install the channels in the ground.</p> | | | | |



SET OF END CAPS, SIPHON, O’RING AND LEAF GUARD FOR VELA CHANNEL

4. TECHNICAL SPECIFICATION

Specification	Description	Unity	Price
DCD-VL-SK	Supply and installation set of end caps, siphon, O’ring and leaf guard for Midi Channel It is available in black colour. Made of PP Black.....	pc.	-