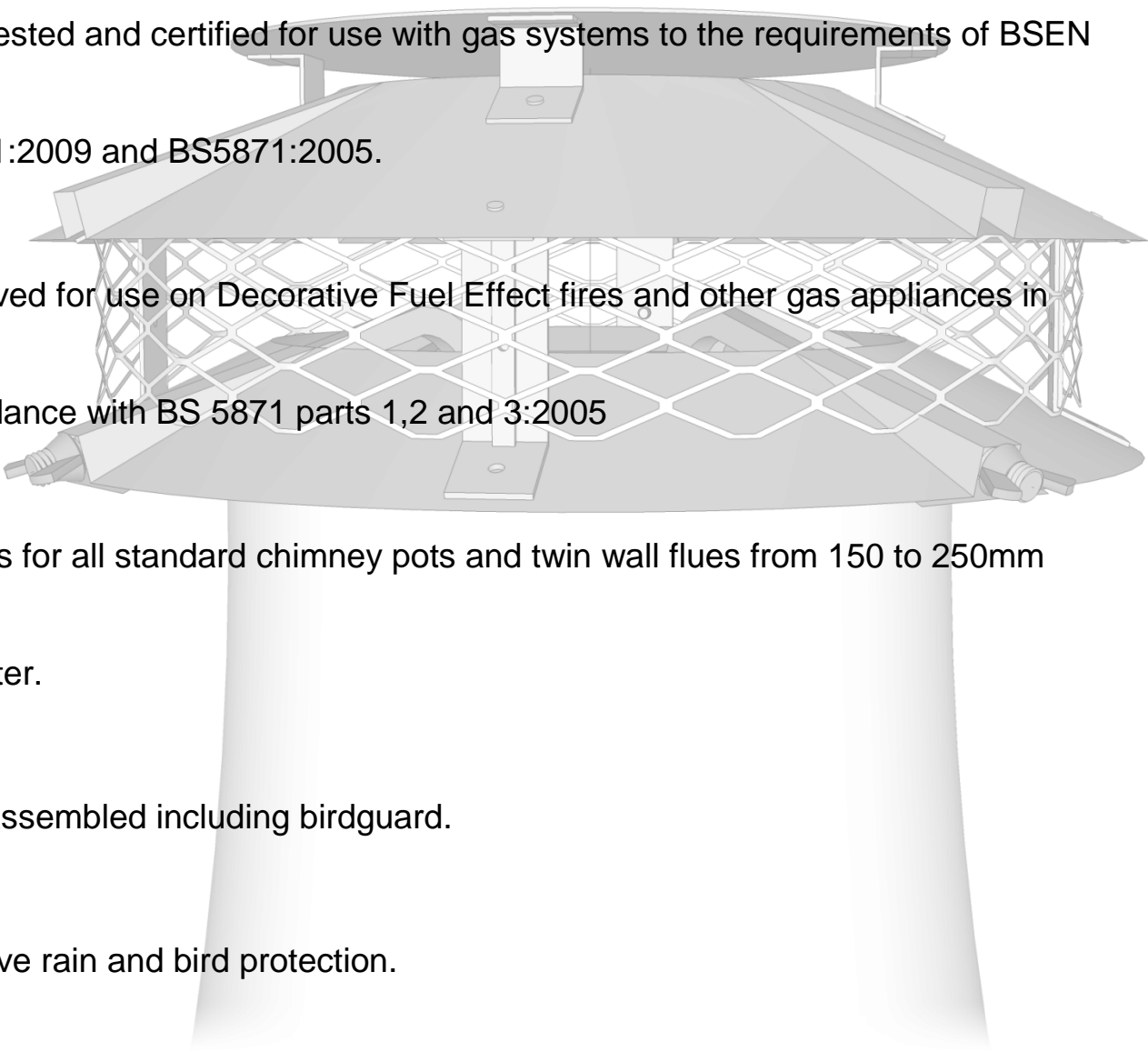


# Brewer Ultimate Flue Outlet Hook Bolt Model Fitting Instructions

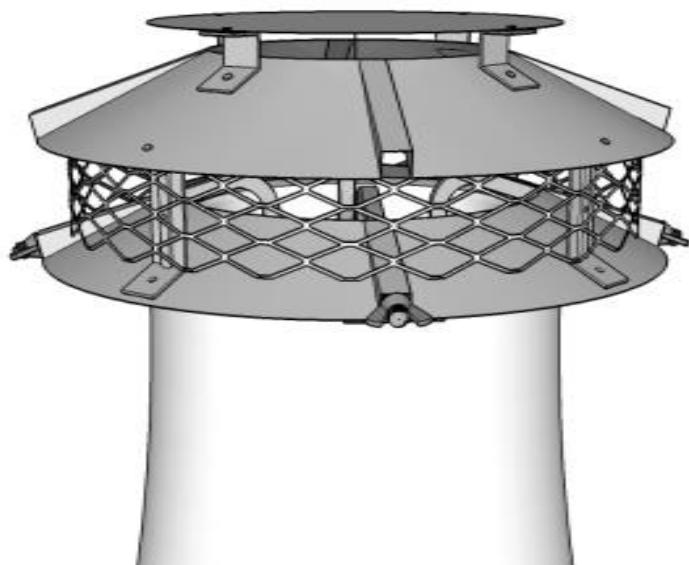
The antidowndraught chimney cowl for all fuel types and appliances

- Fully tested and certified for use with gas systems to the requirements of BSEN 1856-1:2009 and BS5871:2005.
- Approved for use on Decorative Fuel Effect fires and other gas appliances in accordance with BS 5871 parts 1,2 and 3:2005
- Adjusts for all standard chimney pots and twin wall flues from 150 to 250mm diameter.
- Fully assembled including birdguard.
- Effective rain and bird protection.
- Simple fast and secure fitting.



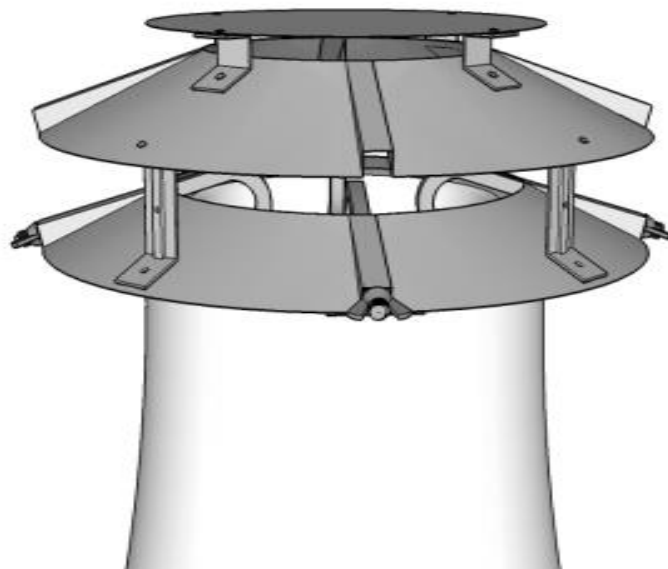
**Important: ensure you have the correct terminal to match your fuel type and application**

Fig1



Fitted for gas use

Fig2



Fitted for solid fuel use

**Important:** when fitting the UFO on a solid fuel system the birdguard mesh **must** be removed (fig2)

To remove the birdguard mesh, undo the self tapping screw (fig 3)

To fit the UFO:

1. Place the UFO upside down and insert the threaded ends of the hook bolts under the bridging strips (figs 4&5)
2. Screw the wing nuts onto the hook bolts (figs 4&5)
3. Position the UFO and hook bolt assembly centrally onto the chimney ensuring all the hook bolts are located in the chimney (fig 6).
4. Alternately tighten the wing nuts in equal amounts until the UFO is securely fixed in place.

**Never install the unit with the top of the chimney or any other object positioned inside the central area of the terminal assembly. This area must be kept clear to allow products of combustion to escape.**

Fig 3

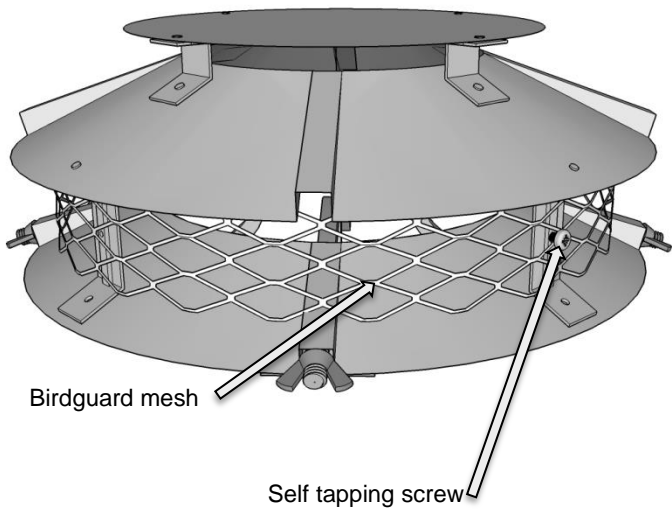


Fig 4

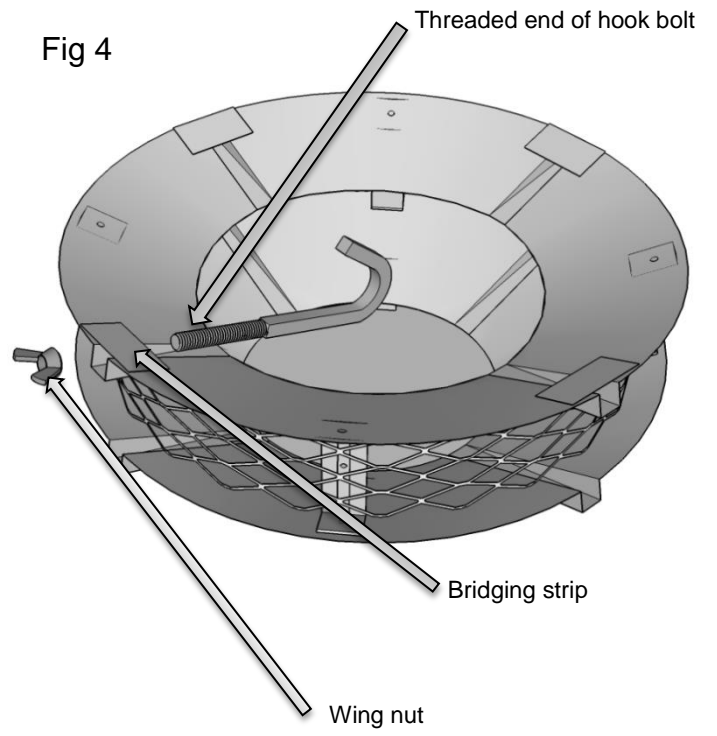


Fig 5

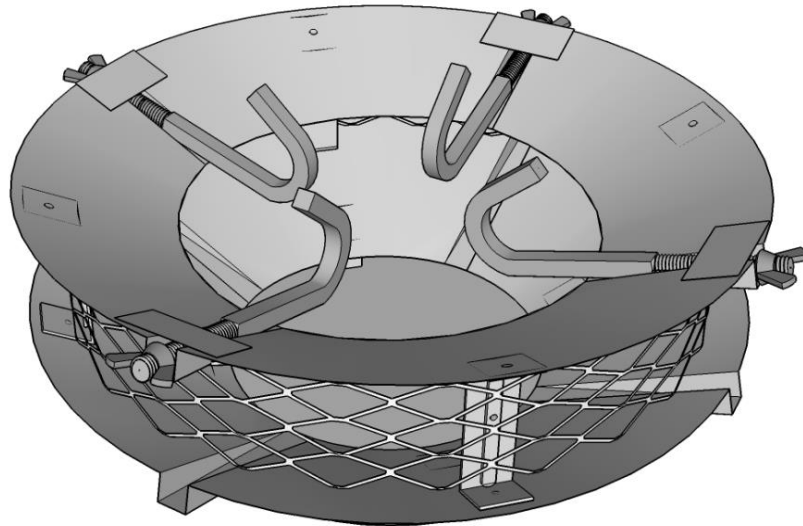
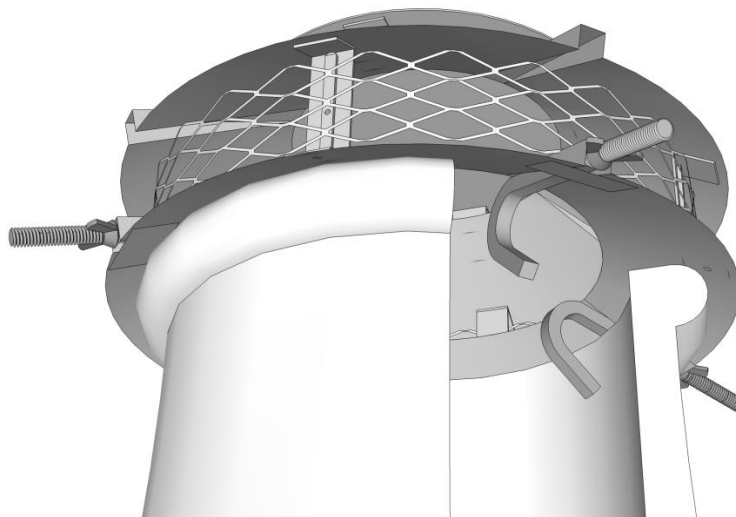


Fig 6



# Declaration of conformity

Brewer Metalcraft Ltd Units C&D Ford Lane Industrial Estate Ford (Near Arundel) West Sussex BN18 0DF United Kingdom	
13	
1856-1:2009 Chimneys - Requirements for metal chimneys - Part 1: System chimney products	
Metal system chimney fitting - Terminal	
Essential Characteristic	Performance
Flow resistance Coefficient	$\zeta$ 0.049
Durability: Freeze thaw	Pass

## Technical information

Model	Ultimate Flue Outlet
Fitting range (internal chimney diameter)	150-250mm
Coefficient of flow resistance	$\zeta$ 0.049

