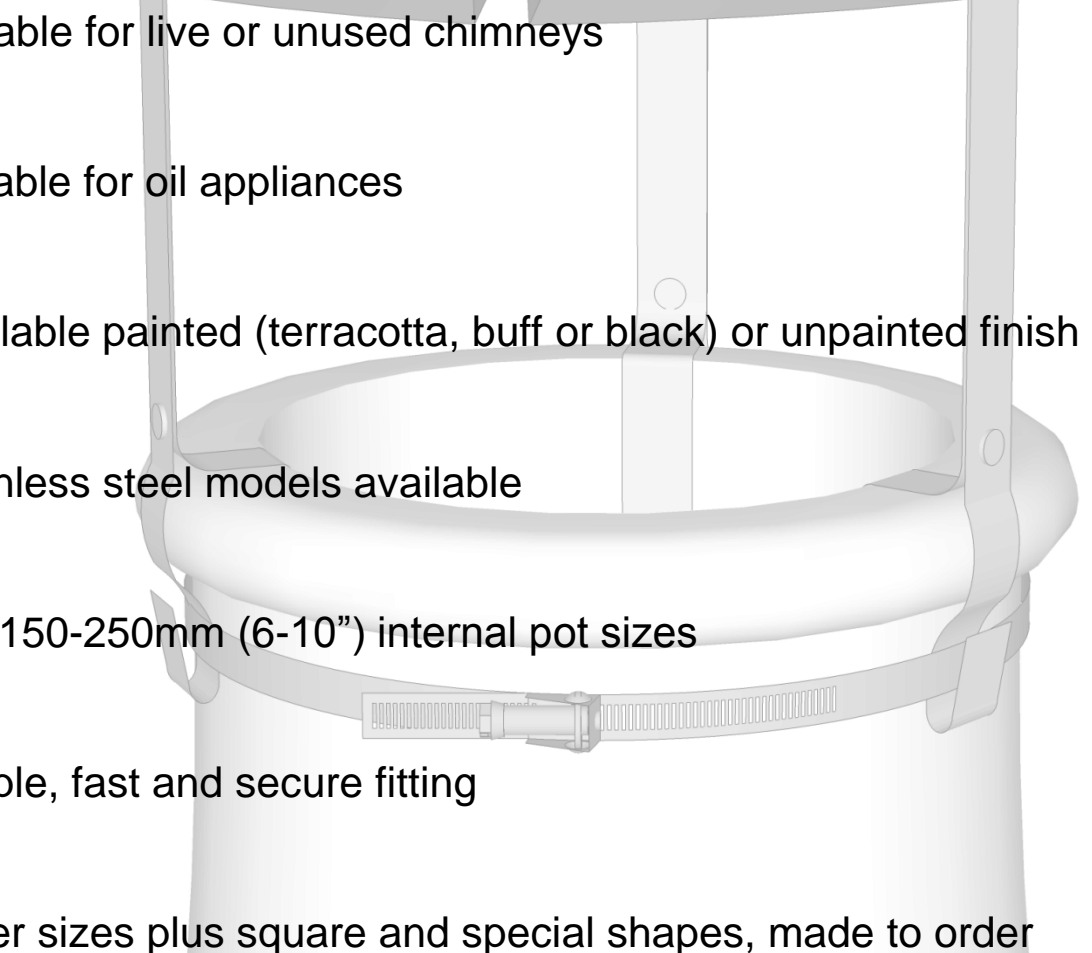
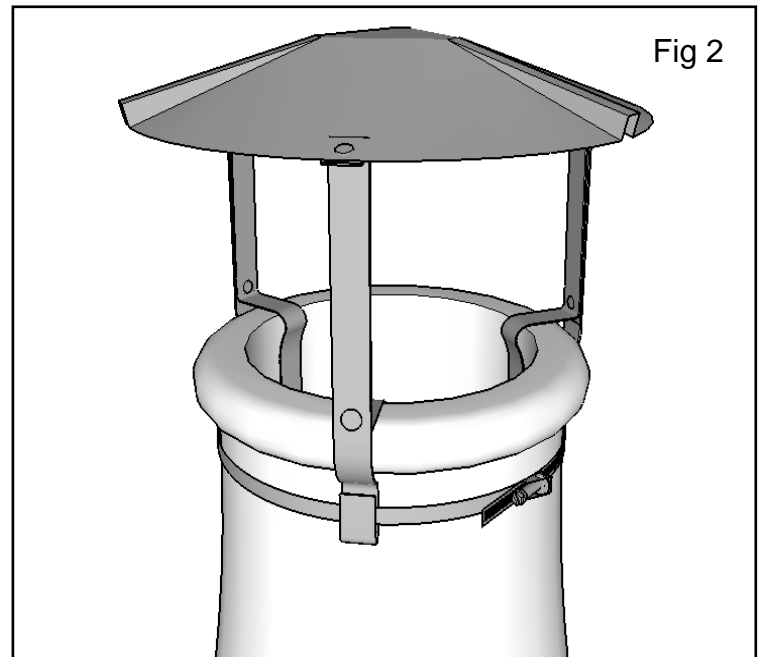
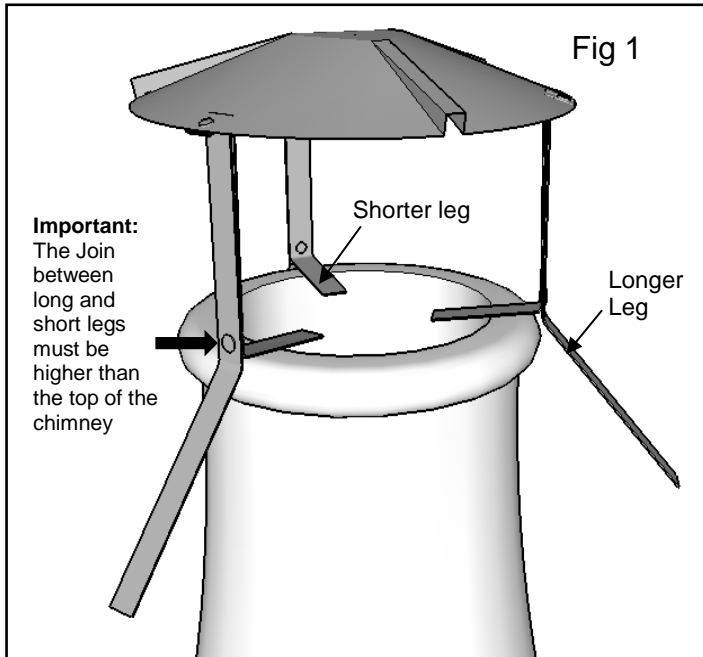


Brewer Traditional Rain Cap Fitting Instructions

- Suitable for live or unused chimneys
 - Suitable for oil appliances
 - Available painted (terracotta, buff or black) or unpainted finish
 - Stainless steel models available
 - Fits 150-250mm (6-10") internal pot sizes
 - Simple, fast and secure fitting
 - Other sizes plus square and special shapes, made to order
- 

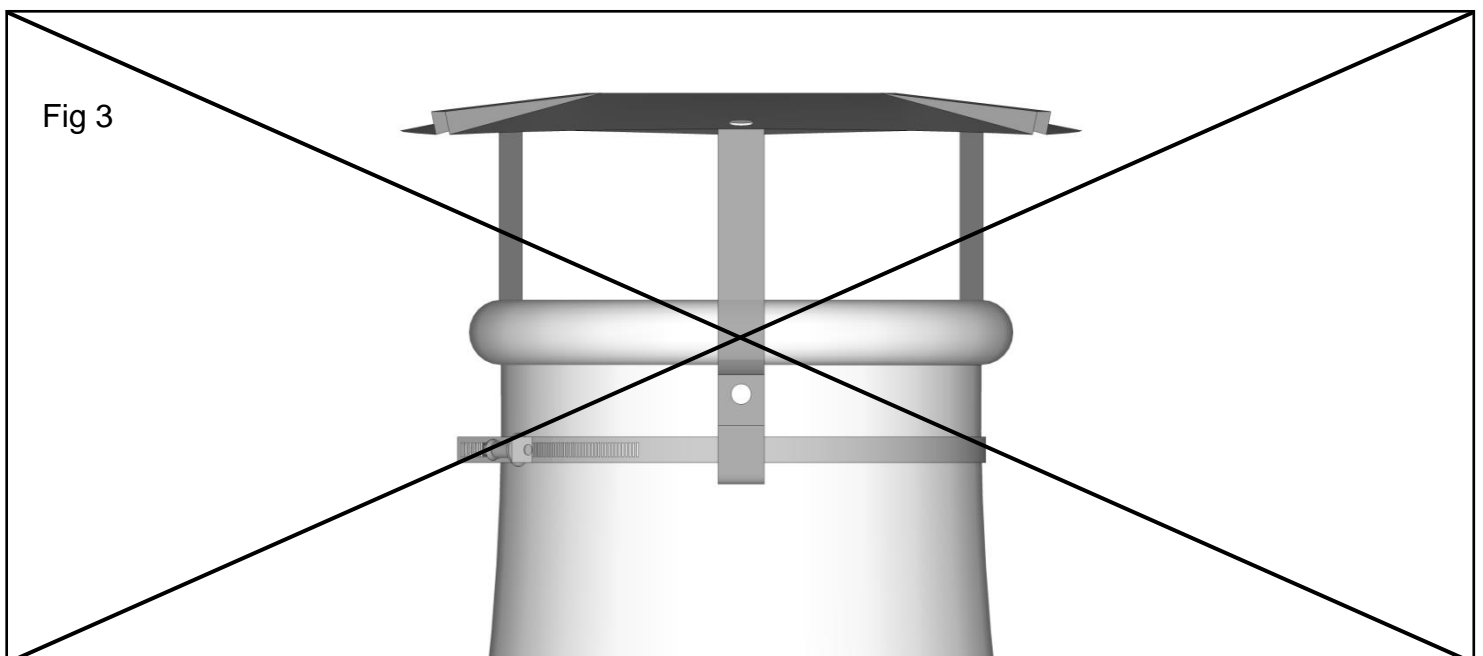
**Important: the Traditional Raincap is for solid fuel and Oil use only
Ensure you have the correct model of terminal to match your fuel type and application.**



To fit the rain cap:

1. Place the Traditional Rain cap centrally on the chimney pot (fig1).
2. Bend the shorter internal legs down the inside face of the chimney.
3. Bend the longer external legs down the outside face of the chimney.
4. Pass the stainless steel band around the longer external legs.
5. Position the stainless steel band approximately 50mm (2") above the lower edge of the legs (fig2).
6. Tighten the stainless steel band with a flat bladed screwdriver.
7. Bend bottom of legs back upwards over the stainless steel band and trim if necessary (fig2).

Never install the unit with the top of the chimney or any other object positioned above the join between the long and short legs. This area must be kept clear to allow products of combustion to escape (fig 3).



Declaration of conformity

Brewer Metalcraft Ltd Units C&D Ford Lane Industrial Estate Ford (Near Arundel) West Sussex BN18 0DF United Kingdom	
13	
1856-1:2009 Chimneys - Requirements for metal chimneys - Part 1: System chimney products	
Metal system chimney fitting - Terminal	
Essential Characteristic	Performance
Flow resistance Coefficient	ζ 1.5
Durability: Freeze thaw	Pass

Technical Information

Model	Traditional Rain Cap
Fitting range (internal chimney diameter)	150-250mm
Coefficient of flow resistance	ζ 1.5

