

# CXP Flat roof exit Solution



VELUX Manually Operated Flat Roof Exit Solution.

**Application**

**Features/Benefits**

- Designed with the same principles as our Flat Roof Windows.
- Excellent insulating value and sound reduction.
- Opening angle of approximately 60°.
- Polycarbonate cover designed simply to protect the double glazed unit below from rain and snow.
- Polycarbonate cover available in clear or opaque.
- Double glazed unit has a laminated inner pane for additional safety.
- Kerb & Sash made of extruded hard PVC profiles.
- Available in 3 sizes with kerb height of 150mm.
- Opens on gas arm struts.

Manually Operated.

**Operation**

The pane should be cleaned with a soft, clean, lint-free cloth or non-abrasive sponge. The rest of the window can be cleaned with ordinary household cleaners.

**Maintenance**

10 year VELUX guarantee on windows and flashings.

**Guarantee**

(--73) Floater outer pane with low-e coating on the external pane and laminated inner pane recommended by VELUX for additional safety.

**Pane**

Installation products recommended by VELUX:

**Additional accessories:**

- ZCE 0015 – Extension kerb 150mm
- ZZZ 210 – Frame fixing kit for roof material



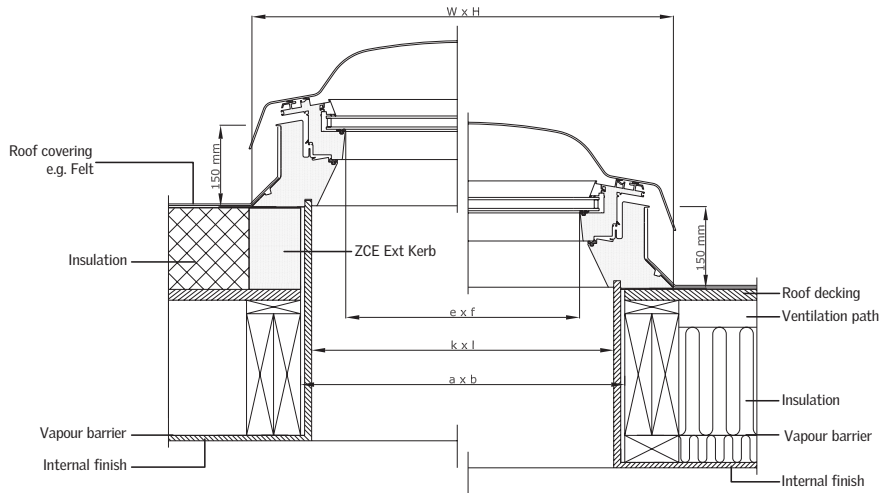
Window Size (mm)	Free exit height R, (rounded, mm)
1000 x 1000	987
900 x 1200	1187
1200 x 1200	1187

# Technical data – CXP Flat Roof Exit Window

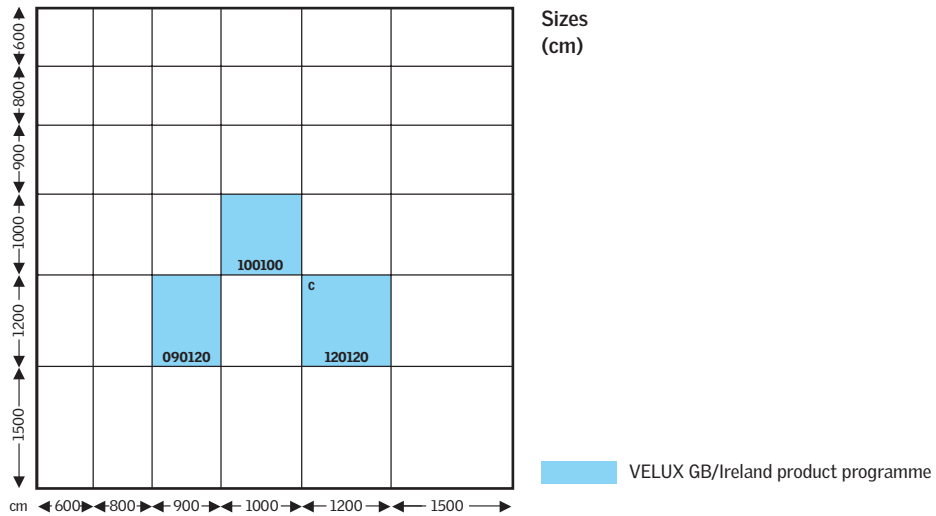
## Measurements (mm)

Size	Exterior frame W x H	Roof opening a x b	Visible glass e x f	Lining rebate k x l
090120	1080 x 1380	900 x 1200	735 x 1035	859 x 1159
100100	1180 x 1180	1000 x 1000	835 x 835	959 x 959
120120	1380 x 1380	1200 x 1200	1035 x 1035	1159 x 1159

## Cross-section/measurements (mm)



## Cross-section/measurements (mm)



## Technical data

Size	090120	100100	120120
Effective daylight area [m <sup>2</sup> ]	0.76	0.70	1.07

Pane variant	CXP clear	CXP opaque	EN/ISO Standard
Thermal transmittance, U <sub>w</sub> [W/m <sup>2</sup> K]	1.5	1.5	EN 1873
Thermal transmittance for Dome	0.77	0.77	EN 1873
Sound insulation, R <sub>w</sub> [dB]	37	37	EN ISO 10140-2
Rain noise sound intensity level L <sub>ra</sub> [dB]	47	47	EN ISO 140-18
Air permeability	Class 4	Class 4	EN 12153
Luminous transmittance, τ <sub>065</sub>	0.70	0.21	EN 1873
Total solar energy transmittance, g	0.51	0.20	EN 410