

SURGE

**SELF SUPPORTING
GLAZING SYSTEM**

PRODUCT INSTALLATION MANUAL



STORMTM
BUILDING WITH PLASTIC

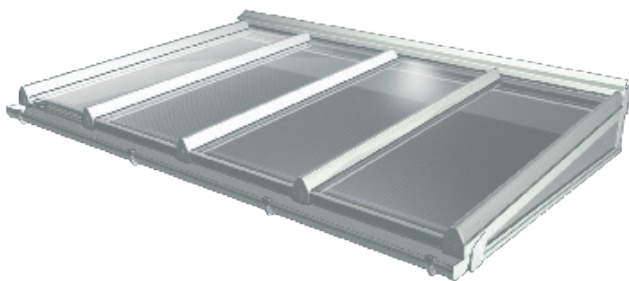
www.stormbuildingproducts.com

Self Supporting Glazing System

To suit 16,25, 32 and 35mm Glazing

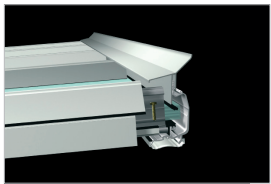
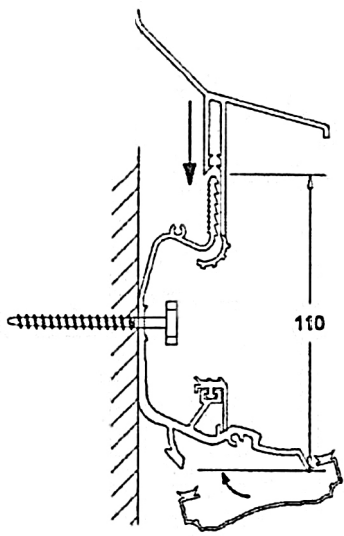
A versatile self supporting roofing system that takes all glazing options from 16-35mm.

With an exceptional weight to strength ratio the Heavy Duty Glazing Bar can span up to 4m un-supported without the use of additional purlins.

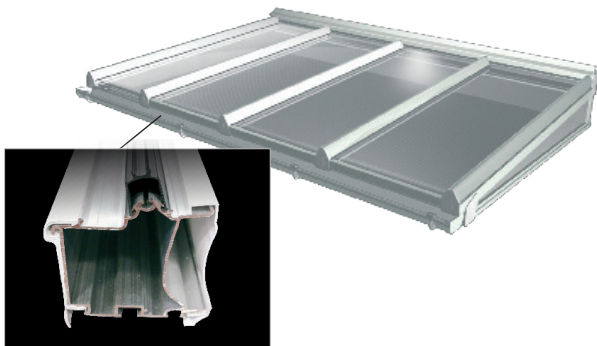
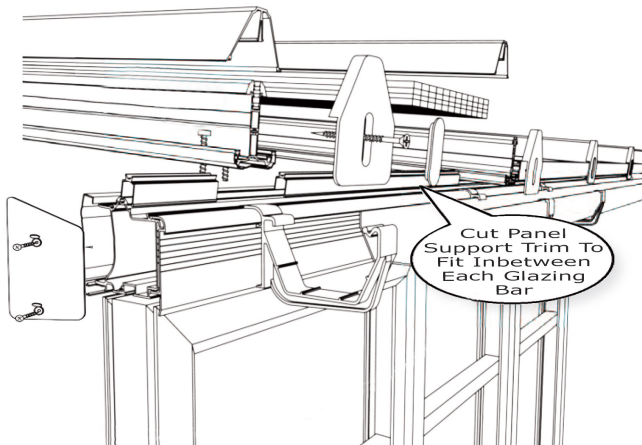


Wallplate

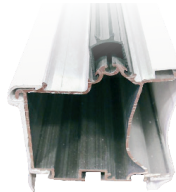
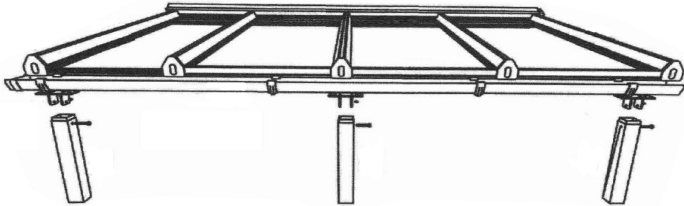
Fix Wallplate to substrate at correct height.



Eavesbeam



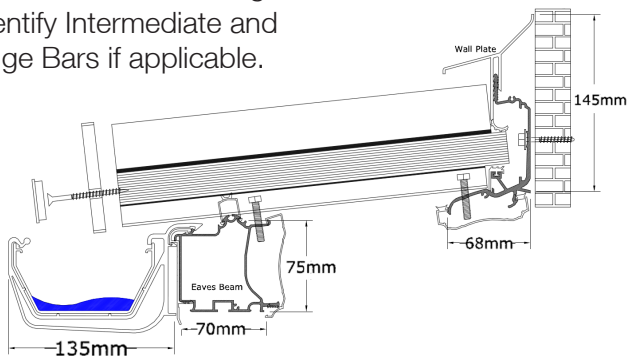
If applicable fix carport legs to Eavesbeam and stand in position, or fix Eavesbeam to window head.



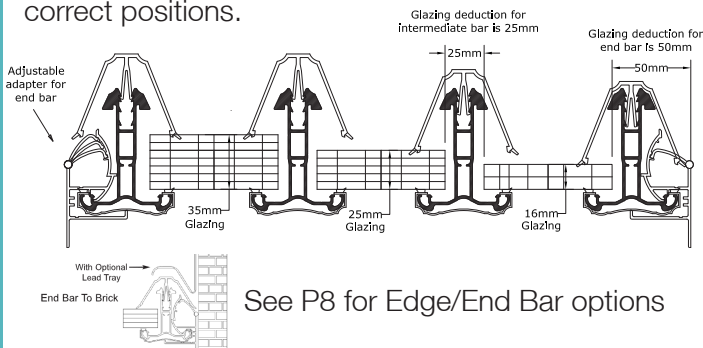
Roof Bars

Fix Self Support Bars to Wallplate and Eavesbeam at correct centres using Self-Drill Screws.

Identify Intermediate and Edge Bars if applicable.



Lay taped poly sheets into Bars. Gently tap Wallplate Top Caps down onto poly sheets. Gently tap Bar Top Cap down onto sections to correct positions.

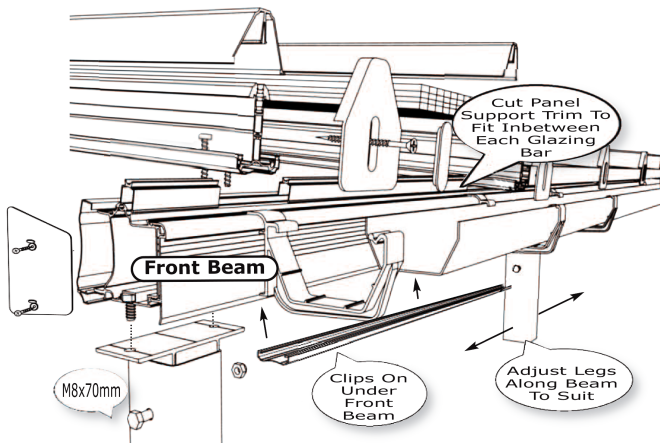


Top Caps should project 5mm from the end of the beam sections at gutter position.

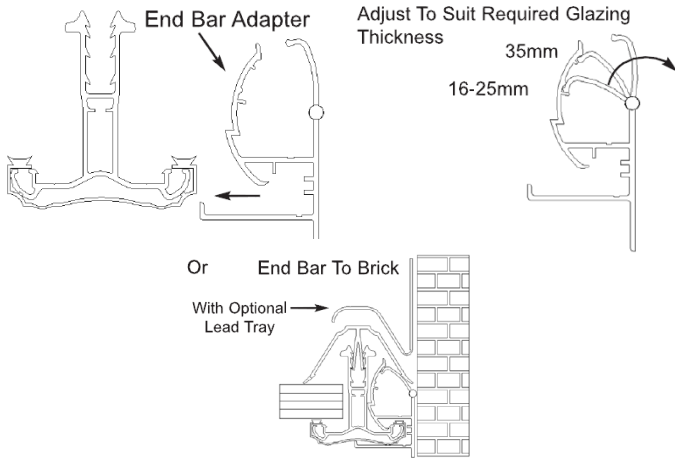
Attach Sheet Closures to end of poly sheets.

Fix End Caps to bars using screws provided.

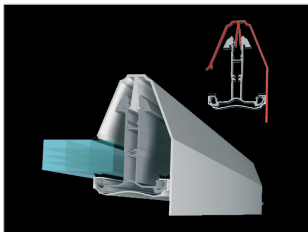
Fix End Caps to Eavesbeam and Wallplate.



End Bar

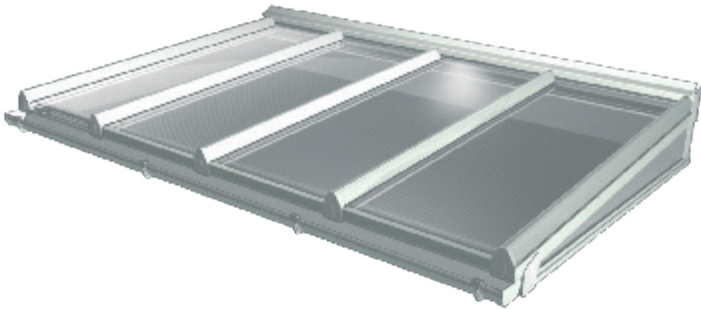
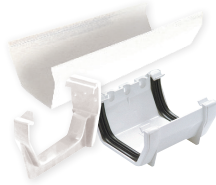


Edge Bar

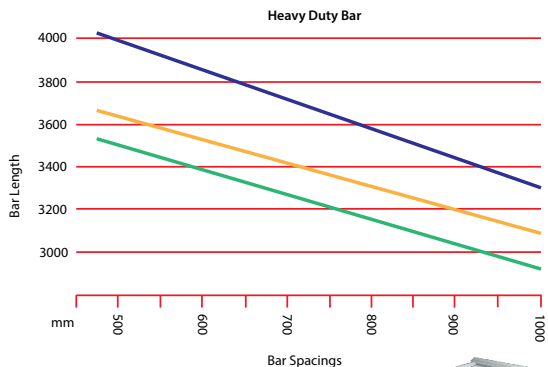
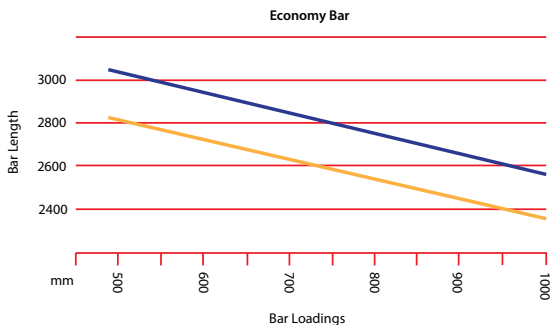


Gutter Packs

Clip Gutter Brackets to Eavesbeam and install Gutter.

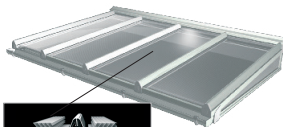


Sheet Width Specifications



- Key**
- 25mm Polycarbonate
 - 4mm D/G Glass Units
 - 6mm D/G Glass Units

Important Note: Loadings are calculated with an additional load of 60Kg/m area. Maximum bar deflection is 35mm. We provide a roof load calculation service.



Tape Packs

Designed for use on 10, 16 and 25mm Polycarbonate.

Contains 10m Anti-Dust Tape and 10m Breather Tape.



Codes:
STP10
STP16
STP25



Web www.stormbuildingproducts.com