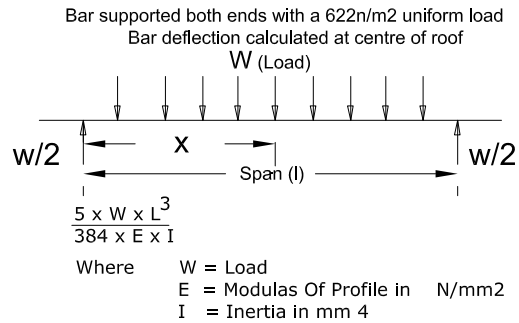
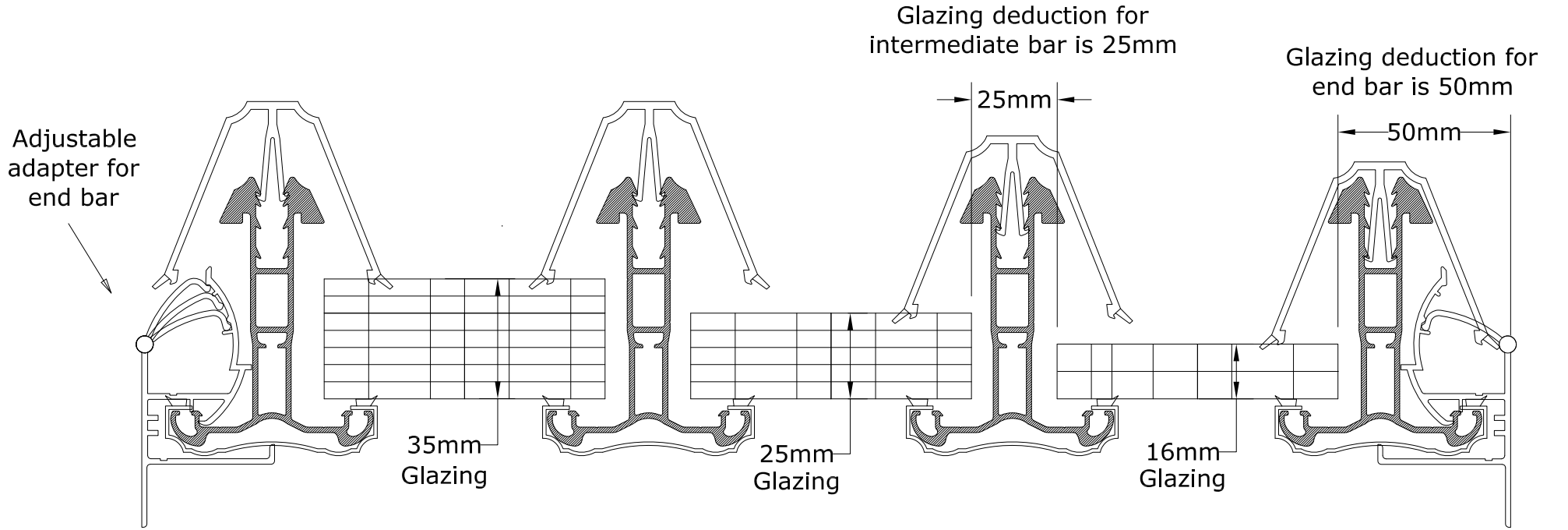
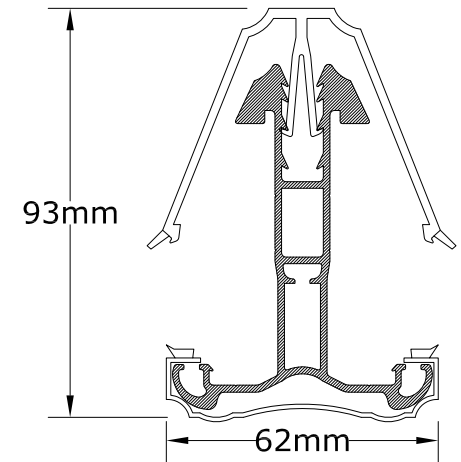
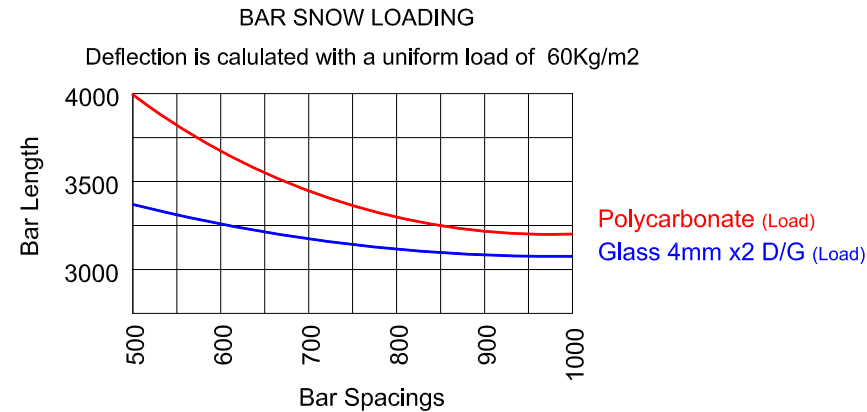


# Heavy Duty Self Supported Glazing Bar

Can be glazed with 16mm, 25mm, 32mm and 35mm Polycarbonate Sheet or Glass



Deflection calculation of Heavy Duty Self Supporting Glazing Bar  
Fail point beyond a deflection of 35mm under maximum load



## Description

### Heavy Duty Self Supported Bar

Available in 3m, 3.5m, 4m & 6m Lengths  
Colours - White, Brown, Rosewood, Golden Oak, Black, Grey, Antique Oak and all RAL colours

## Scaled To Fit

Weight	1.6KG /metre
Alloy	T6 Aluminium Extrusion
Part No. Ref	SSH-(size)-(colour)

## Important Notice

The copy and distribution of this drawing is prohibited under copyright law without written consent.  
Patent protection applies, please contact our office for patent approval numbers.