

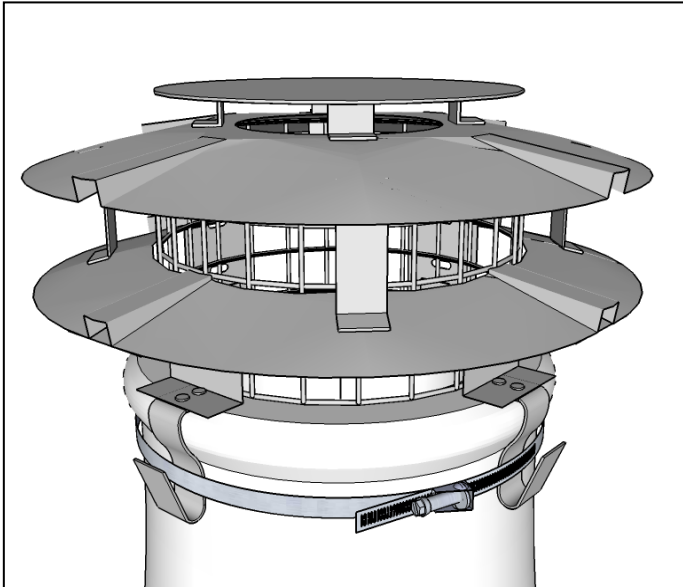
Brewer Ultimate Flue Outlet Solid Fuel Model Fitting Instructions

The antidowndraught chimney cowl for solid fuel and oil appliances

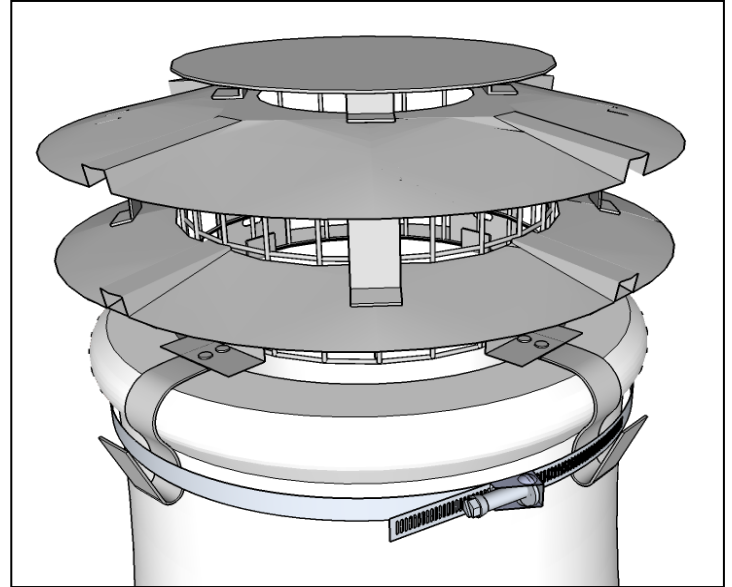
- Helps prevent debris, bird and vermin entry
- Suitable for live or unused chimneys
- Solid fuel model with larger mesh to BSEN1856-1:2009
- Also suitable for oil appliances
- Available painted terracotta, buff or black
- Stainless steel models available
- Fits 150-250mm (6-10") internal pot sizes
- Simple, fast and secure fitting
- Other sizes plus square and special shapes, made to order



Ensure you have the correct model of terminal to match your fuel type and application.



Smaller chimney

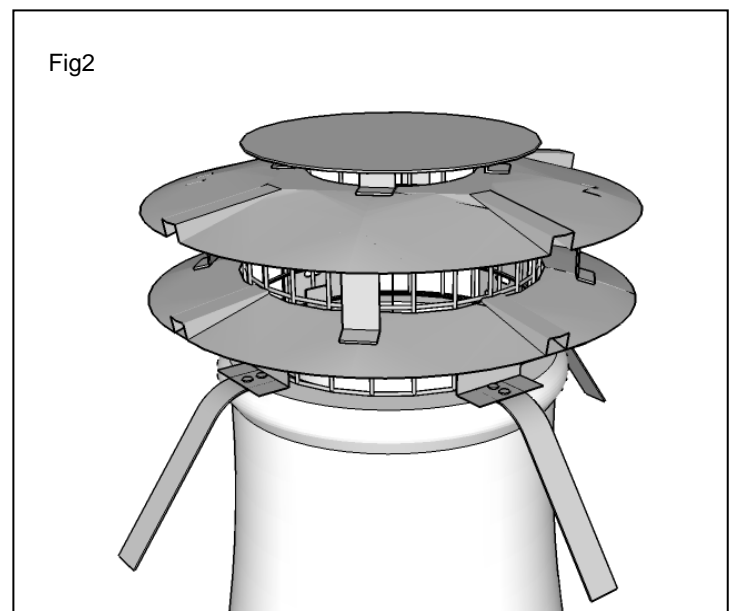
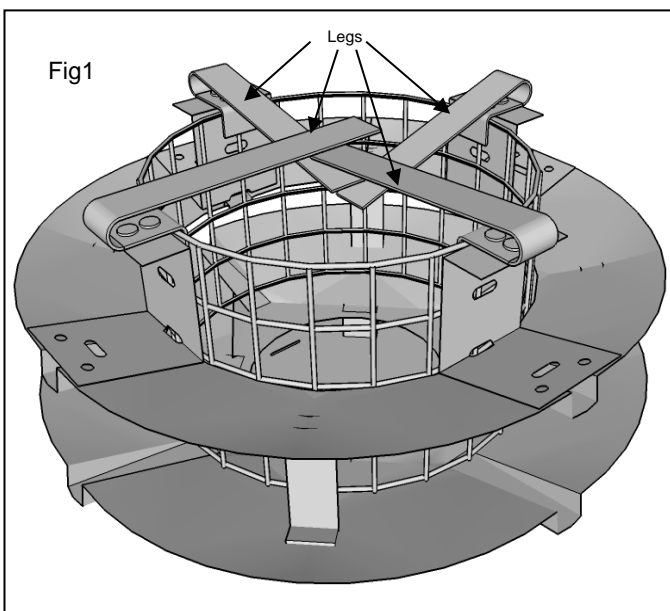


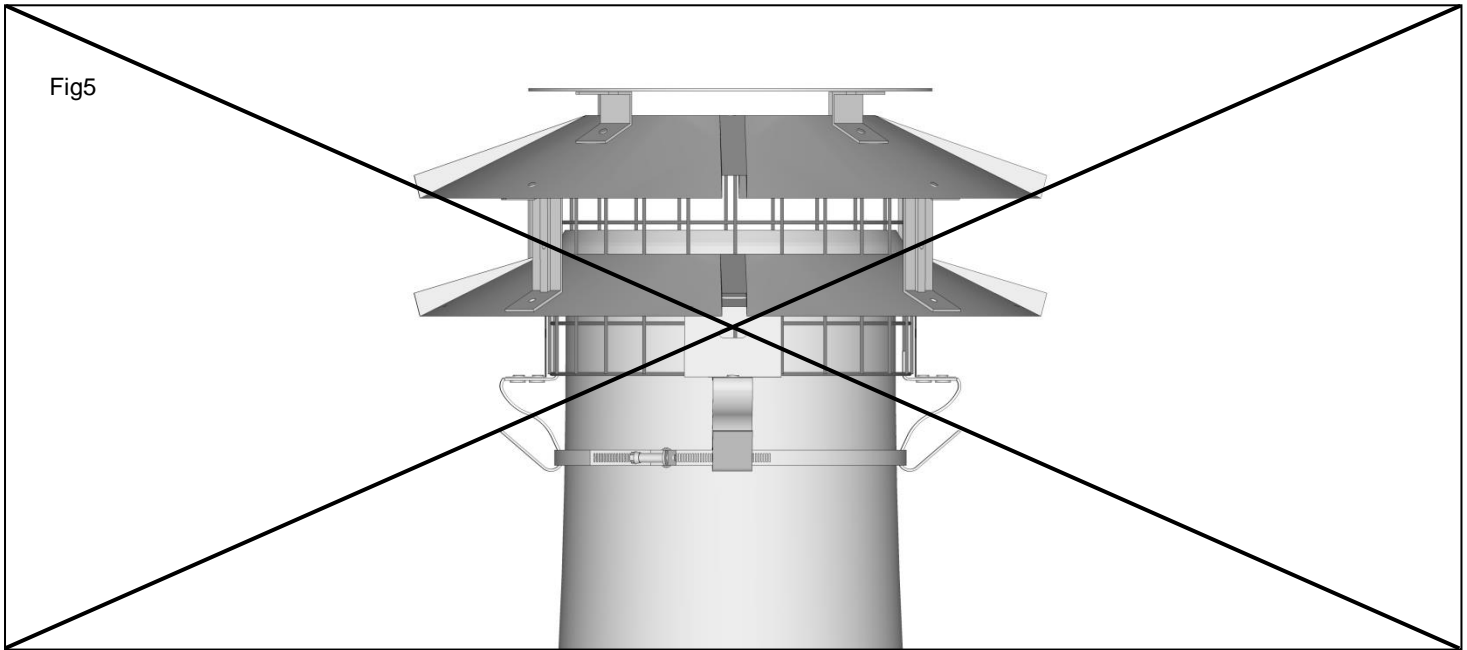
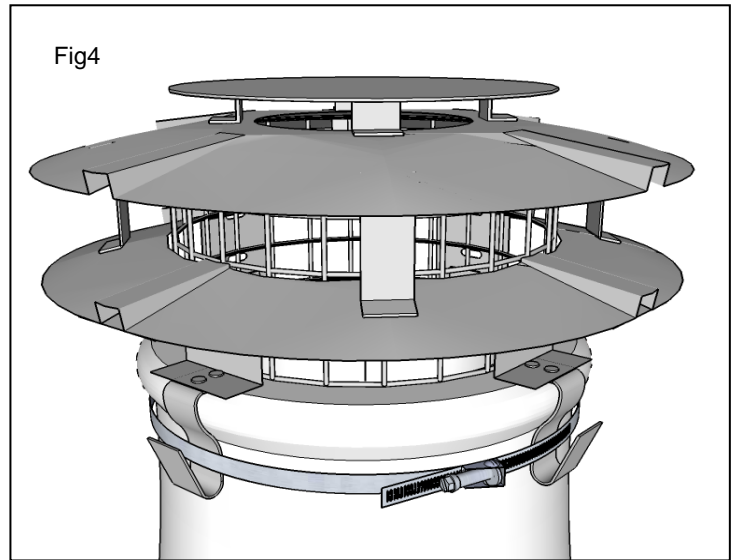
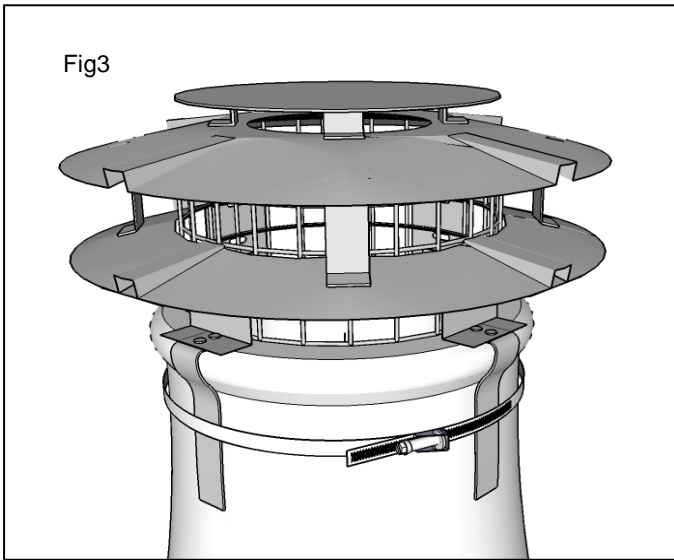
Larger chimney

To fit the U.F.O.

1. With the U.F.O. unpacked (Fig1), bend the legs outwards.
2. Place the U.F.O. centrally on the chimney pot. (See images above & Fig 2)
3. Bend the legs down the outside face of the chimney (Fig3).
4. Pass the stainless steel band around the legs (preferably under a ridge in the pot).
5. Tighten the stainless steel band with a flat bladed screwdriver.
6. Bend bottom of legs back upwards over the stainless steel band and trim if necessary (Fig4).

Never install the unit with the top of the chimney or any other object positioned inside the central area of the mesh. This area must be kept clear to allow products of combustion to escape (fig 5).





Declaration of conformity

<p>Brewer Metalcraft Ltd Units C&D Ford Lane Industrial Estate Ford (Near Arundel) West Sussex BN18 0DF United Kingdom</p> <p>13</p>	
<p>1856-1:2009 Chimneys - Requirements for metal chimneys - Part 1: System chimney products</p>	
<p>Metal system chimney fitting - Terminal</p>	
Essential Characteristic	Performance
Flow resistance Coefficient	ζ 0.150
Durability: Freeze thaw	Pass

Technical information

Model	Ultimate Flue Outlet
Fitting range (internal chimney diameter)	150-250mm
Coefficient of flow resistance	ζ 0.150