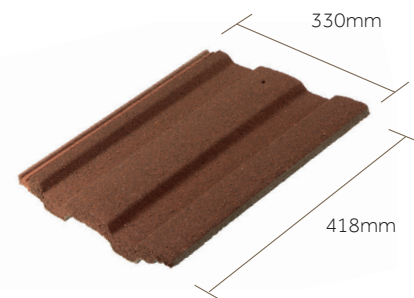


Renown

Designed to blend unobtrusively into any environment, Renown is easy and quick to cut and fix, making it ideal for shorter lead time new build or refurbishments.

KEY ADVANTAGES

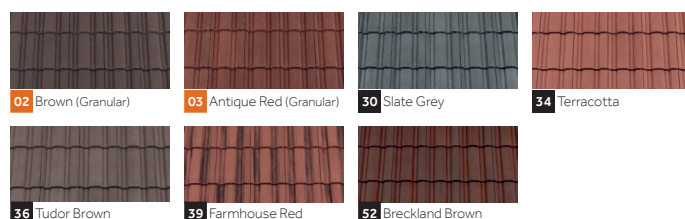
- Seven colours to provide a match with every regional roofing style
- Exceptional wind and driving rain performance
- Quicker installation saves time and money



PRODUCT DATA

Size (overall)	418 x 330mm	
Minimum Pitch and Headlap		
Through coloured	17.5° at 100mm headlap / 22.5° at 75mm headlap	
Granular	22.5° at 100mm headlap / 30° at 75mm headlap	
Maximum Pitch (subject to fixing specification)	90°	
Maximum Headlap	125mm	
Minimum Gauge/Batten Spacing	293mm	
Maximum Gauge/Batten Spacing		
Through coloured	below 22.5° at 318mm / 17.5° and over 343mm	
Granular	below 30° at 318mm / 30° and over 343mm	
Hanging Length (approx.)	397mm	
Cover (all figures are net and do not allow for wastage)		
Linear cover of 1 tile	300mm	
Covering capacity	10.5 tiles/m ² at 318mm gauge / 9.7 tiles/m ² at 343mm gauge	
Weight (at max. gauge approx.)*	43kg/m ² at 318mm gauge / 40kg/m ² at 343mm gauge	
per pallet, including pallet (approx.)	1.05 tonnes	
per 1000	4.14 tonnes	
Battens Required (at max. gauge)	2.92m/m ²	
Batten Size		
Rafter centres up to 450mm	38 x 25mm	
Rafter centres up to 600mm	50 x 25mm	
Fixing Clips	Eaves, Verge & Tile Clips	
Nail Size for Tiles**	50 x 3.35mm (A/A)	
Pallet Quantities	Tiles per pallet 240 / Tiles per pack 40 / Packs per pallet 6	

*All weights nominal ** (A/A) Aluminium Alloy



FITTINGS & ACCESSORIES

VERGE

Cloaked Verge
Ambi-Dry Verge
Rapid Verge

HIP PRODUCTS

Third Round Hip
Dry Hip
Rapid Hip

VALLEY PRODUCTS

GRP 125 Valley
Dry Valley

RIDGE PRODUCTS

Half Round Ridge
Half Round Monoridge

VENTILATION SYSTEMS

RedVent EavesVent
RedVent 25 Over-Fascia Vent
Top Edge Abutment Ventilation
DryVent Ridge
Rapid Vented Ridge
Uni-Vent Rapid Ridge/Hip
DryVent Monoridge
RedLine Ventilation Tile
Rapid Roof Vent
8.8k ThruVent Tile



Renown Product Codes

TILES

Standard Tile (shown above)	1501
-----------------------------	------

UNDERLAYS

Spirtech 400 2S underlay	9202
Divoroll Elite 2S	9157
Divoroll Universal 2S	9156

EAVES PRODUCTS

RedVent EavesVent 350-450mm (6m)	9189
RedVent EavesVent 450-600mm (6m)	9190
Extension Trays 350-450mm (6m)	9498
Extension Trays 450-600mm (6m)	9499
Rapid EavesVent 2-in-1 Tray	9988
Rapid EavesVent Rafter Roll (6m)	9984
RedVent 25 Over-Fascia Vent (6m)	9593
Underlay Support Tray (1.5m)	9076

VERGE PRODUCTS

Cloaked Verge LH	7277
Cloaked Verge RH	7278
Half Tile	7710
DryVerge (Pack of 18 LH & 18 RH)	9390
DryVerge Gable End Pack	9880
Rapid DryVerge (Pack of 18 LH & 18 RH)	9391
Rapid DryVerge Gable End Pack	9881

HIP PRODUCTS

Dry Hip (2.7m)	9046
Continuous Hip (5m)	9028
Third Round Hip/Ridge Junction	9521
Uni-Vent Rapid Ridge/Hip (10m)	9313
Uni-Vent Rapid Hip Support Tray (1.2m)	9069
Third Round Hip (without nail holes)	8122
Third Round Hip (with nail holes)	7411
Hip Iron	9258
Third Round Block-End Hip	7784
Mortar Bedded Fixing Kit	9314

VALLEY PRODUCTS

GRP 125 Valley (3m)	9595
Dry Valley (Low Profile) (3m)	9574
Universal Valley Trough Tile	7175

ABUTMENT PRODUCTS

Top Edge Abutment Ventilation Pack (3m)	9543
Wakaflex Rapid Flashing	
Bonding Gutter (3m)	9578

RIDGE PRODUCTS

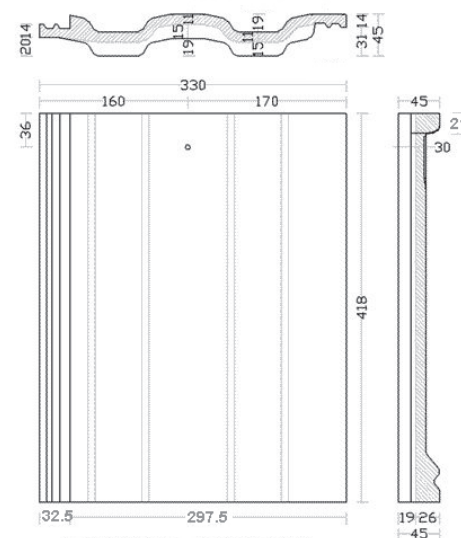
DryVent Ridge (2.7m)	9097
Uni-Vent Rapid Ridge/Hip (10m)	9313
Continuous Ridge (5m)	9304
Ridge Vent Terminal	7253
Ridge Vent Terminal Adaptor	9175
Flexible Pipe (100 to 100mm)	9172
Gas Flue Ridge Terminals	7241
Gas Flue Extension Adaptor	9143
Gas Flue Blanking Plates	9098
Half Round Ridge	8101
Half Round Ridge Block-End	7519
DryVent Monoridge (2.7m)	9081
Half Round Monoridge	7203
Half Round Block-End Monoridge LH	7266
Half Round Block-End Monoridge RH	7267
Mortar Bedded Fixing Kit	9314
Ridge End Cap Half Round	9772
Ridge End Cap Half Round	9772

VENTILATION TILES

RedLine Vent Tile	9116
8.8k ThruVent Tile	7932
Flexible Pipe (100 to 100mm)	9172
Rapid Roof Vent	9127
Rapid Roof Vent Adaptor	9791

FIXING

Tile Clip	9185
Verge Clip	9297
Eaves Clip	9186
Eaves Clip Nail (812)	9338
Tile Nail (680)	9333
Kro-Clip (50)	9142
Innofix Clip (500)	9823



BMI UK & Ireland
BMI House,
2 Pitfield, Kiln Farm,
Milton Keynes, MK11 3LW
+44 (0) 3705 601000

www.bmigroup.com/uk

We are committed to continuously enhancing and improving our product range. We reserve the right to change our product specifications. We reserve the right to correct any typographical or clerical error or omission. For the latest information contact customer service.