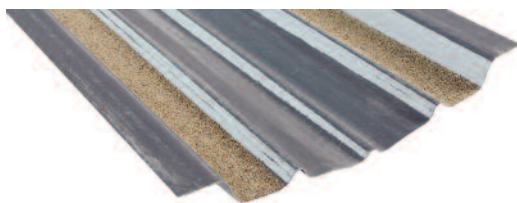
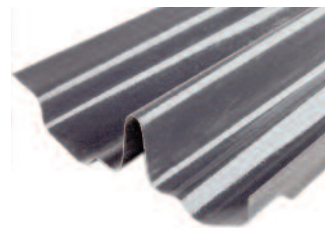
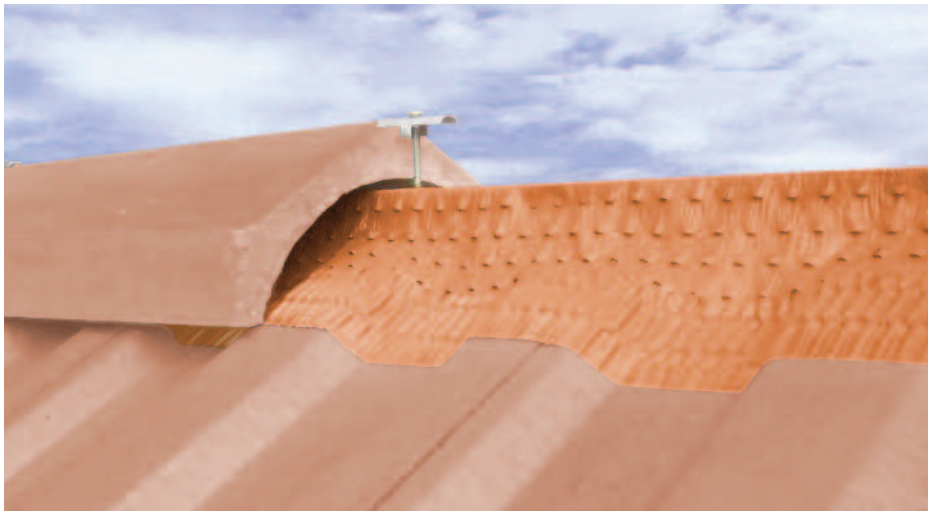


ROOFING ACCESSORIES



ROOFING ACCESSORIES

PROTECT SOLUTIONS

Protect accessories for tile and slate roofs provide a range of solutions which offer better performance than the traditional alternatives.

- Easier to install.
- More dependable.
- Reliably maintain the weatherproof function of the roof covering.
- Relevant products comply with requirements of Dry Fix Standard BS 8612:2018.



THE PRODUCT RANGE

Fulmetal Rediroll Ventilated Dry Ridge/Hip page 3
is used with conventional ridge and hip tiles to provide both ventilation and weather protection.

AluFlash Lightweight Flashing 4
is an environmentally-friendly alternative to lead; very lightweight and easy to form without specialist skills or tools.

Universal Dry Verge system 5
for interlocking tiles; avoids the problems of mortar verges, being easily dry-fixed, resistant to wind uplift and not subject to cracking.

DV Slate Dry Verge system 6
for natural and artificial slates; offers the same advantages as Universal Dry Verge.

Universal Dry Fix Valley Trough 7
provides a flush appearance with free drainage; dry-fixed with all tiles and slates.

Univalley 125 Valley Trough 8
provides an open valley for clear drainage; dry-fixed with slates or mortar bedded with tiles.

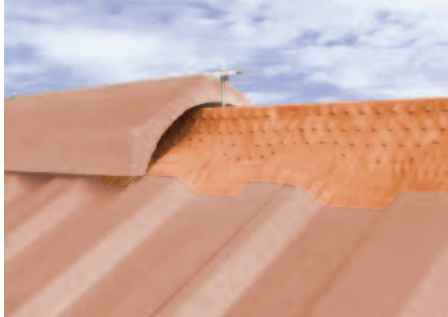
Universal Bonding Strip 9
provides weather protection at the junction between roofs on semi-detached or terraced houses, especially when re-roofing with different materials.

OFV Eaves Skirt 10
ensures efficient water discharge into the gutter; avoids sagging and ponding and will not rot.

G6 Solar Inlet terminal 11
provides a reliable means of maintaining the integrity of the roof covering where cables or pipes pass through it, for example to provide connections for solar heating or photovoltaic panels.



FULMETAL REDIROLL VENTILATED DRY RIDGE/HIP



Description

Protect Fulmetal Rediroll is an innovative universal dry-fixed ventilated ridge and hip system.

Manufactured from aluminium, the Fulmetal Rediroll overcomes the durability and weathering problems associated with fabric-based systems.

Applications

A universal solution suitable for all ridge and hip tiles and all roof tiles and slates.

Can be used to provide a ventilation area equivalent to 5000mm²/m.

Authority

Can be used to comply with roof space ventilation requirements of Building Regulations Approved Document C2 and BS 5250.

Advantages

- Provides ventilation between ridge tiles even on flat roof tiles and slates.
- All-aluminium construction is rot-proof.
- Ventilated, but driving rain resistant.
- Unique weatherproof design avoids the need for ridge unions.
- Unique stainless steel clip system provides mechanical fixing of the ridge tiles and correct spacing to ensure an even appearance.
- Screw sleeve to prevent light bleed between ridges (if required).
- Handy 6m pack contains all components needed to install the system.
- Design life in excess of 30 years.
- Optional hip tile carrier also available.
- Complies with Dry Fix Standard requirements BS 8612:2018.

Size

300mm wide.

Appearance

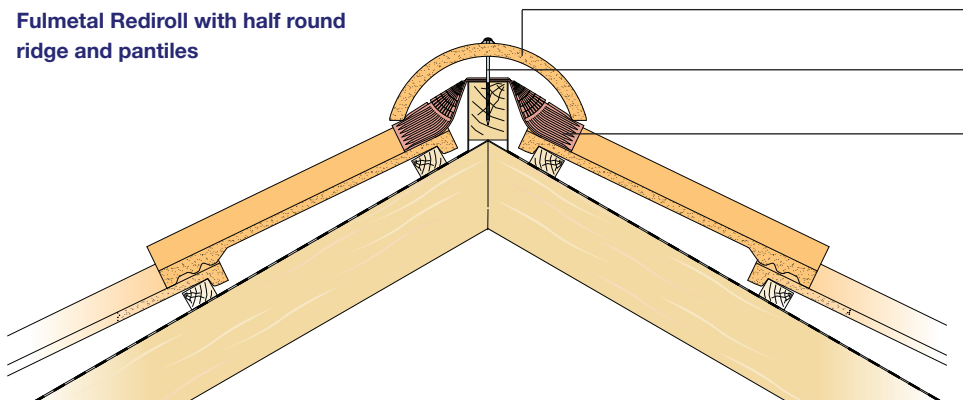
Colours: terracotta or grey to suit roof covering.

Specification clause

Mechanically-fixed ventilated ridge and hip. Provide mechanical fixing of ridge and hip tiles to BS 5534 together with high level roof ventilation by means of Protect Fulmetal Rediroll. Fixing system to suit any tile type on both ridges and hips. Install continuously to provide ventilation area equivalent to 5000mm²/m* to comply with Building Regulations Approved Document C2 2004 amd. 2010 & 2013 and BS 5250: 2011. Fix in accordance with manufacturer's instructions.

*For plain wing angle ridges please consult Protect Technical Services.

Fulmetal Rediroll with half round ridge and pantiles



Ridge tile (not part of system)

passivated heavy duty steel screw

Fulmetal Rediroll

ALUFLASH LIGHTWEIGHT FLASHING

Description, Application

AluFlash is a revolutionary and environmentally-friendly alternative to lead as a weathering flashing material for buildings. It incorporates all the useful features of lead but eliminates those that are undesirable.

It is aluminium-based and available in two unique surface finishes depending on the application.

Advantages

- Lightweight, easy and safe to handle.
- Minimum 30 year design life.
- Easy to form over a range of roof profiles without the need for specialist skills or tools.
- Both elements of AluFlash have been durability tested and have been used in Europe for over 10 years as flashing materials.
- Non-toxic. No potential hazards for installers and no contamination of run-off water.
- Environmentally friendly. Suitable for rainwater harvesting systems.
- 6% of the weight of code 4 lead, providing health and safety benefits for installers.
- AA fire rating, enabling unrestricted use.
- Integral self-adhesive backing eliminates the risk of wind uplift which might allow water penetration.
- Recyclable backing sheet to keep adhesive clean until final installation.
- Highly durable surface finish which does not oxidise, stain or require patination oil.
- BM TRADA Certified, certificate number CPS-015.

Material

AluFlash is a combination of highly durable aluminium sheet with a solvent lacquer upper surface and an adhesive butyl backing with high levels of tack to prevent wind uplift.

Sizes

Roll length: 5m.
 Roll widths: 150, 200, 250, 300, 350, 400, 450, 500, and 600mm.
 Thickness: 4.1mm (cross-corrugated), 0.65mm (embossed).

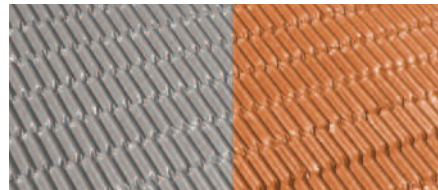
Finishes

Colour: lead grey or terracotta.

Cross-corrugated finish*

Designed for use where the flashing has to be moulded over and around complex shapes such as profiled roof tiles and corner junctions.

The unique cross-corrugation pattern allows the AluFlash to curve and bend in more than one direction at once.



* patent applied for

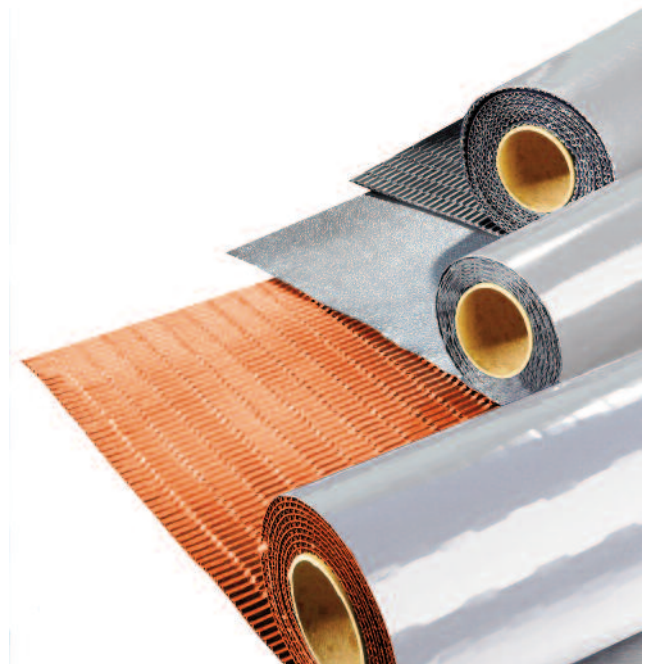
Embossed finish

Designed for applications requiring less complex shaping such as pitched roof valleys, secret gutters, soakers for slates and double-lap tiles, and box gutters.



Specification clause

Flashings to be AluFlash solvent lacquer-coated aluminium sheet with adhesive butyl backing.
 Finish: embossed / cross-corrugated.
 AluFlash supplied by Protect Membranes, 2 Brooklands Road, Sale, Cheshire, M33 3SS.
 Telephone: 0161 905 5700, Fax: 0161 905 2085. Email: info@protectmembranes.com



UNIVERSAL DRY VERGE SYSTEM



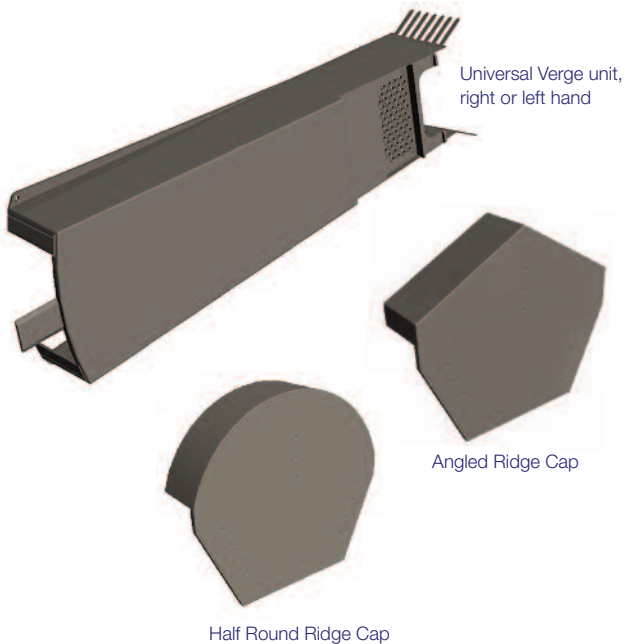
Description, Application

The Protect Universal Dry Verge system is compatible with all interlocking metric sized roof tiles and designed to overcome the problems of traditional mortar bedding, such as cracking and long term maintenance.

Its unique ambidextrous patented fixing mechanism locks the units in place whilst allowing lateral and vertical adjustment to accommodate differing tile profiles.

Truly universal, the units are ambidextrous for either left or right verges offering significant advantages for ordering and stockholding purposes.

Components



Advantages

- Provides full wind uplift and weather protection.
- Mechanically fixed, no maintenance required.
- Quick and easy to fix, no special skills or tools required.
- All weather fixing, no adhesive or sealants required.
- Compatible with all interlocking metric sized roof tiles at batten gauges from 315mm to 345mm.
- Compatible with all mortar or dry fixed ridge systems.
- Available in black, brown or grey in packs of 10.
- Retains the traditional stepped appearance of the roof tiles.
- Meets the requirements of BS 5534 for mechanical fixing.
- Complies with NHBC standards for pitched roofs.
- Designed and developed under ISO 9001 Quality Management Systems.
- UV and heat resistant.
- Prevents entry of birds and large insects.
- Unaffected by differential movement or settlement
- Dry verge batten end clip available separately to ensure compliance with Dry Fix Standard BS 8612: 2018.

Specification clause

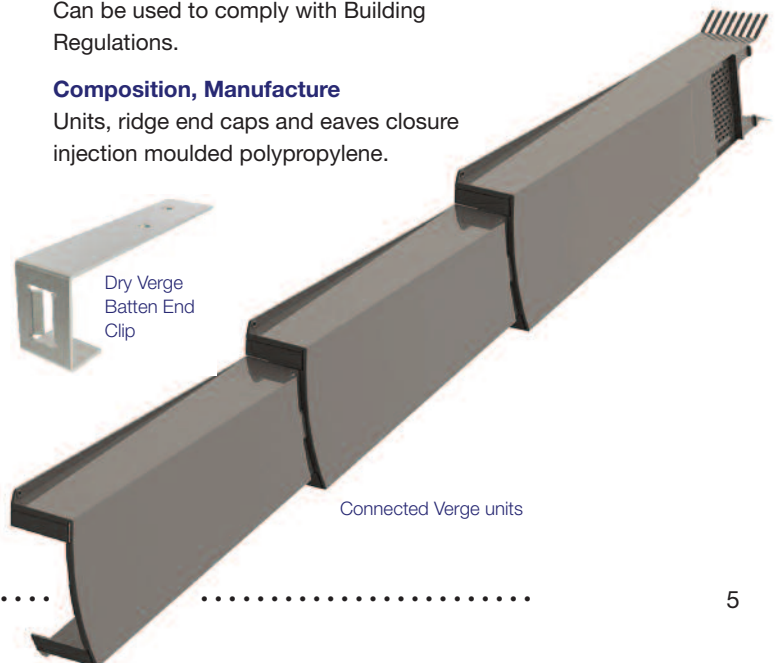
Install Protect Universal Dry Verge System at roof verges to provide continuous cover over batten ends and tiles to protect against wind uplift and driving rain. System to include ambidextrous right or left hand units and ridge end caps in injection moulded UV stabilised polypropylene and Eaves Closure in injection moulded polypropylene to exclude birds and large insects. Fix mechanically in accordance with manufacturer's instructions.

Authority

Can be used to comply with Building Regulations.

Composition, Manufacture

Units, ridge end caps and eaves closure injection moulded polypropylene.



DV SLATE DRY VERGE SYSTEM



Description, Application

The Protect DV Slate Dry Verge system is mechanically fixed, and once installed provides complete and continuous cover over batten ends and slates, protecting the verge from wind uplift and driving rain. For use with natural and artificial double-lap slates not exceeding 5mm thickness, including Redland Cambrian and Marley Monarch.

The system is designed to overcome the problems of traditional mortar bedded verges, which may crack due to differential movement. Mortar will also crack and erode due to weathering and eventually fall away, leaving vulnerable slate edges exposed. Roof verges are subject to high level wind uplift and this will lead to loosening of slates and eventual failure.

Authority

Can be used to comply with Building Regulations Approved Document C and BS 5534.

Composition, Manufacture

Extruded PVC-U in 2.4m long sections. Ridge and end caps are vacuum-formed ABS. Connectors and stop ends are injection-moulded polypropylene. All components are matt slate grey.

DV204 Ridge end caps

Incorporating a gasket seal, and supplied with fixing bracket. For fibre cement ridge tiles only.

Half-round, for roof pitches from 22½° to 45°



Plain angle, for dedicated roof pitches of 22½°, 25°, 30°, 35°, 37½°, 45°



Concrete or clay block end ridges available from most tile manufacturers can also be used to finish the gable end.

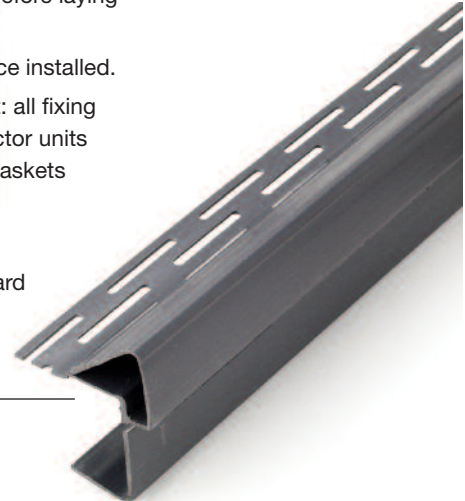
Advantages

- Provides full wind uplift and water protection.
- Self draining: any rainwater which enters the system is carried away from the roof covering and directly into the gutter.
- Modular construction: a single verge extrusion, plus unobtrusive connector units and handed eaves stop ends, which prevent ingress of birds.
- Quick fixing: completely dry-fixed and can be installed in any weather. No adhesive, sealant or special tools are required. The verge is fitted before laying the slates.
- Requires no maintenance once installed.
- Allows for thermal movement: all fixing holes are slotted, and connector units and ridge end caps include gaskets which allow movement.
- Available in packs of 10.
- Complies with Dry Fix Standard requirements BS 8612:2018.

Specification clause

Install Protect DV Slate Dry Verge system at roof verges to provide continuous cover over batten ends and slates to protect against wind uplift and driving rain. System to include extruded PVC-U edge sections, preformed gasket-sealed ridge end caps, and eaves stop ends to exclude birds. Fix mechanically in accordance with manufacturer's instructions.

DV200 Dry Verge section length 2440mm



DV201 Connector unit

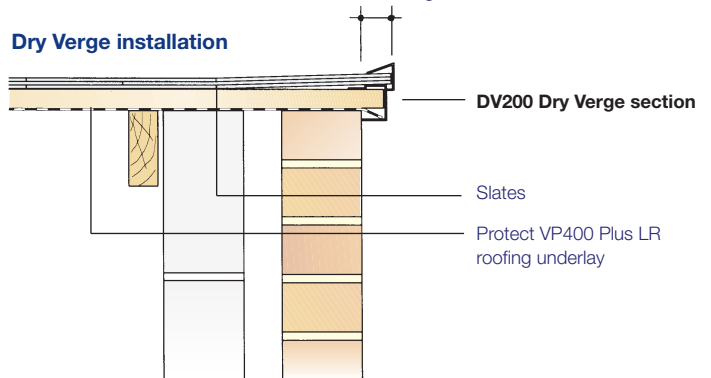


Eaves stop end DV202 right hand DV203 left hand



25mm maximum batten overhang

Dry Verge installation



UNIVERSAL DRY FIX VALLEY TROUGH

Description, Application

Protect has introduced an innovative second generation Universal GRP Dry Fix Valley Trough, adding to the extensive range of Protect Dry Fix solutions. Dry fixing is quicker, less dependent on site skills and guarantees a neater finish than mortar bedding.

Advantages

- Universal - accommodates roof pitches from 17.5° and above, and compatible with flat or profiled tiles and slates, providing a flush appearance.
- One size - 3 metres. Traditionally popular length for speedy installation, readily cut on site.
- Positive fix to valley batten. Substantial 25mm vertical weather check which also provides strong fast fix to valley batten.

- Unique shape assists with free drainage with secure protection against water ingress.
- Non-toxic and environmentally friendly. No potential hazards for installers and no contamination of run-off water. Suitable for rainwater harvesting systems.
- No resale value to a prospective thief.
- Integral 'Gel' coat. Proven to provide increased durability.
- Fire resistant. Designated AB fire rating to BS 476: Part 3: 2004.
- Does not streak or stain tiles.
- Available in packs of 10.

Material and composition

Universal Dry Fix Valley Trough is manufactured from 1.2mm thick GRP in 3 metre lengths.

Appearance

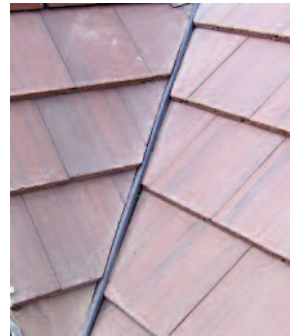
Colour: Lead grey.

Specification clause

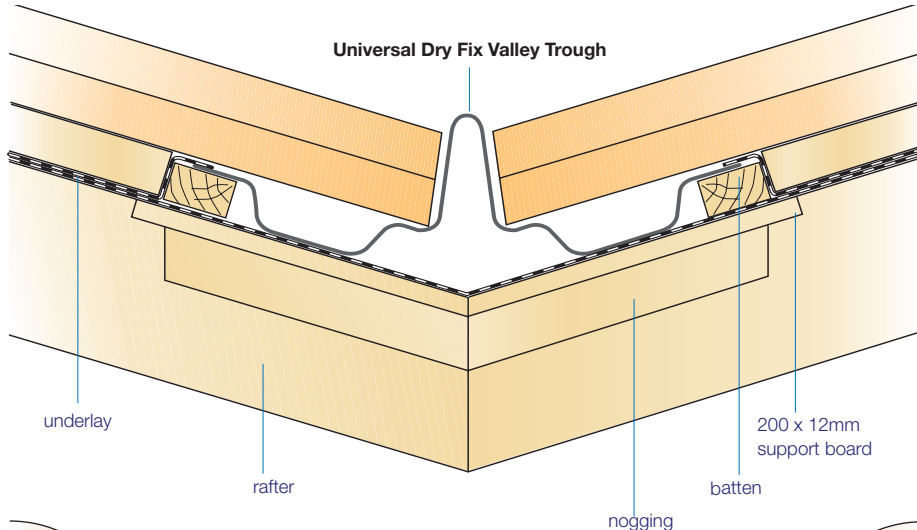
Install Protect Universal Dry Fix Valley Trough at roof valleys. Valley Trough to be GRP with gel coat finish, with central weather bar to assist free drainage with secure protection against water ingress.

AB fire rating to BS 476: Part 3: 2004.

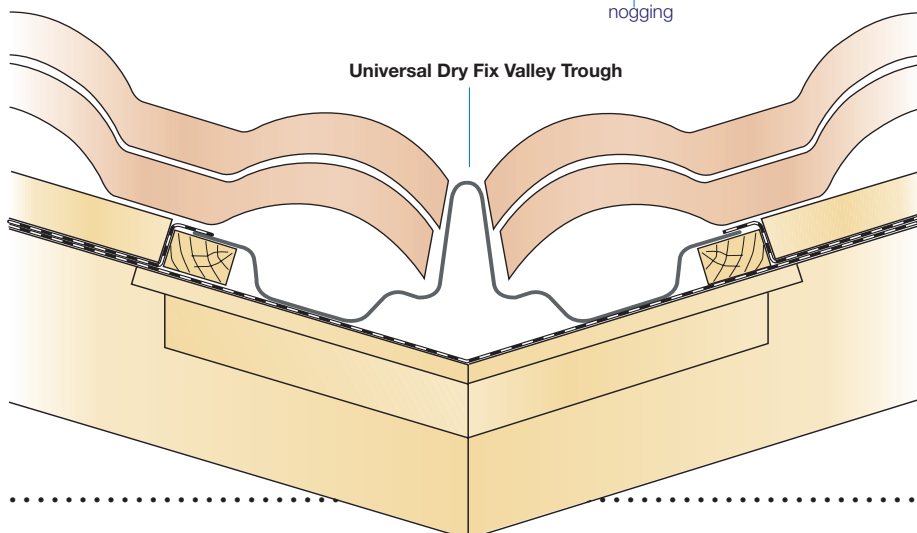
Mechanically fix in accordance with manufacturer's instructions.



Plain tiles or slates



Profiled tiles

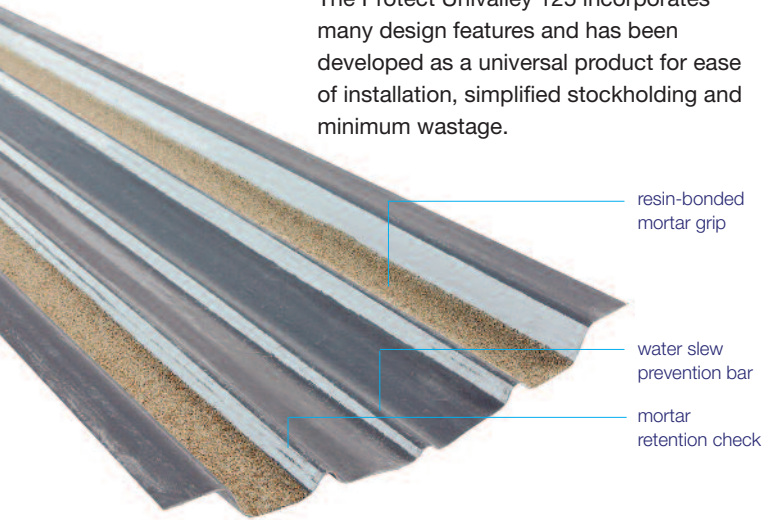


UNIVALLEY 125 VALLEY TROUGH

Description, Application

A valley is one of the most vulnerable parts of the roof - the Protect Univalley 125 GRP Valley Trough provides a universal solution for valley detailing offering advantages of economy and performance over valley tiles, concrete troughs and lead valleys.

The Protect Univalley 125 incorporates many design features and has been developed as a universal product for ease of installation, simplified stockholding and minimum wastage.



Tests undertaken by Brunel University, Uxbridge, show that a clear water channel of 125mm is necessary for roof drainage areas greater than 25 square metres.

Compatible with either slates or tiles the Univalley 125 has a 125mm clear water channel to ensure optimum performance and incorporates a 'gel' coat, proven to provide increased durability.

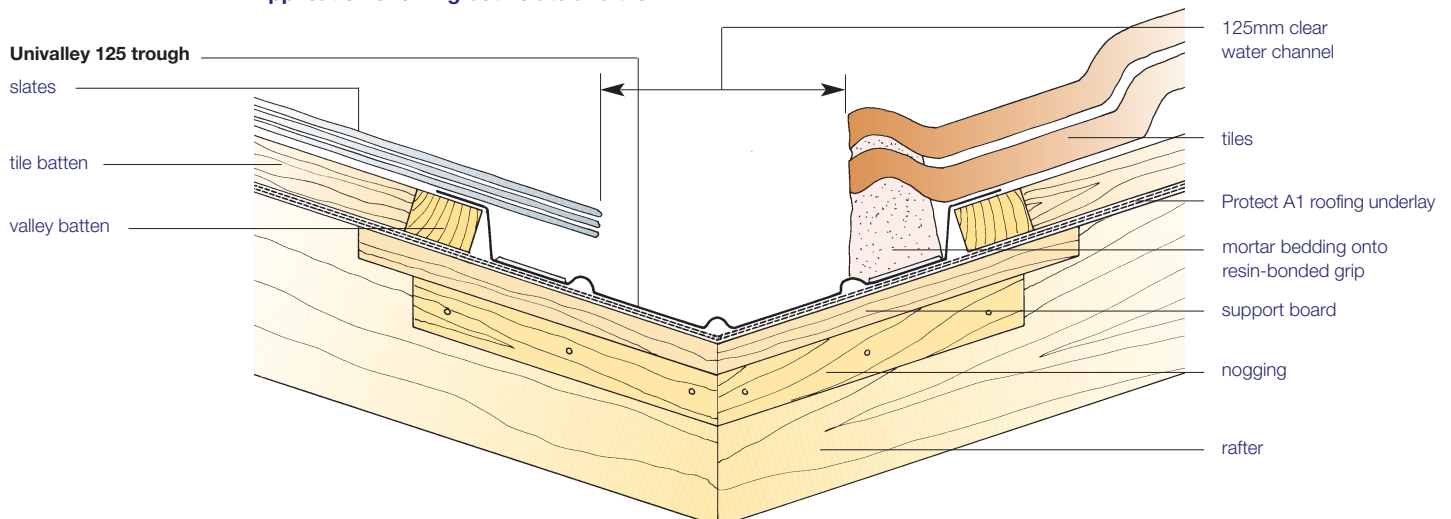
Advantages

- Universal for slate or tile. Can be dry fixed with all slates including Redland Cambrian and Marley Monarch or wet bedded with all concrete and clay roof tiles.
- One size – 3 metres. Traditionally popular length for speed of installation, with universal width. Readily cut on site.
- Integral mortar retention check. Holds 'green' mortar preventing slippage into open valley during fixing. Provides secondary weather bar against rain penetration.
- Positive fix to valley batten. Substantial 25mm vertical weather check which also provides strong fast fix to valley batten.
- Resin bonded wide mortar grips. Ensures maximum adhesion for mortar.
- Deep valley section and shape. Secure protection against water ingress. Meets LSA and Brunel University requirements.
- Integral water slew prevention bar. Tested to enhance water discharge allowing use with dissimilar roof pitches up to 15 degrees difference.
- Integral 'Gel' coat. Proven to provide increased durability.
- Fire Resistant. Designated AB rating to BS 476: Part 3: 2004.
- Available in packs of 10.

Specification clause

Install Protect Univalley 125 Valley Trough at roof valleys. Valley trough to be GRP with gel coat finish, provide 125mm wide clear water channel, and incorporate water slew prevention bar, water checks, mortar retention check and resin bonded mortar grips. Fix in accordance with manufacturer's instructions.

Application showing both slate and tile



UNIVERSAL BONDING STRIP

Description, Application

The Protect Universal GRP Bonding Strip provides even greater protection at the junction between old and new roofing on semi-detached or terraced properties.

The design incorporates many features to provide an effective and economical solution to the problem of weathering the junction at party walls when properties are re-roofed at different times with incompatible materials.

- Positive gutter size (meets LSA requirements). 75mm wide gutter channel with 20mm upstands. Ensures swift discharge of rainwater.
- Independent mortar fixing positions. Resin bonded for maximum adhesion. Allows for differential movement between dissimilar roof materials.
- Design prevents battens being carried over division wall. Meets the requirement of BS 8000 (workmanship) for firebreak walls.
- Secondary 10mm storm bars. Enhanced weatherability.
- Integral mortar retention. Holds 'green' mortar preventing slippage into open gutter during fixing.
- Integral 'Gel' coat. Proven to provide increased durability.
- Dry fix option. Slates can be dry fixed without the risk of water penetration.
- One size – 3 metres. Lightweight, easy to handle, readily cut on site.
- Fire resistant. Designated AB rating to BS 476: Part 3: 2004. Can be used in a fire separation wall detail.
- Available in packs of 10.

Specification clause

Install Protect Universal Bonding Strip at junction between old and new roofing. Bonding strip to be GRP with gel coat finish, and to incorporate a gutter channel 75mm wide with 20mm upstands, 10mm secondary storm bars, and mortar channels with resin bonded mortar grips. Fix in accordance with manufacturer's instructions.

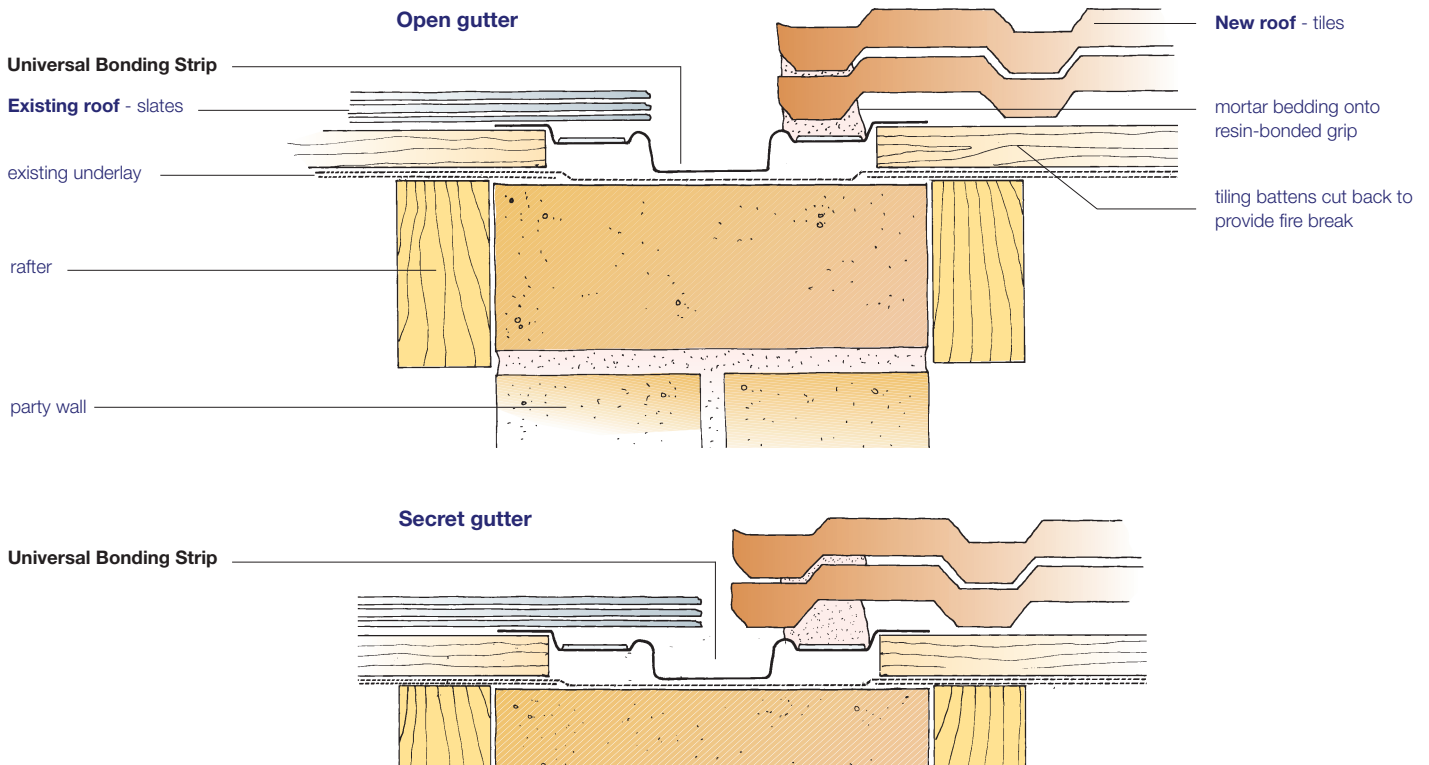
75mm gutter channel with 20mm upstand

resin-bonded mortar grip

secondary 10mm storm bars

Advantages

- Universal design. Can be fitted with any combination of double lap or interlocking slates, clay and concrete tiles.
- Design ensures slates don't 'kick up'. Improves weather resistance. Enhances appearance of roof.
- Secret or open gutter for efficient discharge of water. Unobtrusive for sheltered locations.



OFV EAVES SKIRT

Description, Application

The Protect OFV Eaves Skirt replaces both the underlay into the gutter and the traditional tilting fillet. It is designed to avoid sagging and ponding of the underlay behind the fascia and ensure correct water discharge into the gutter.

Advantages

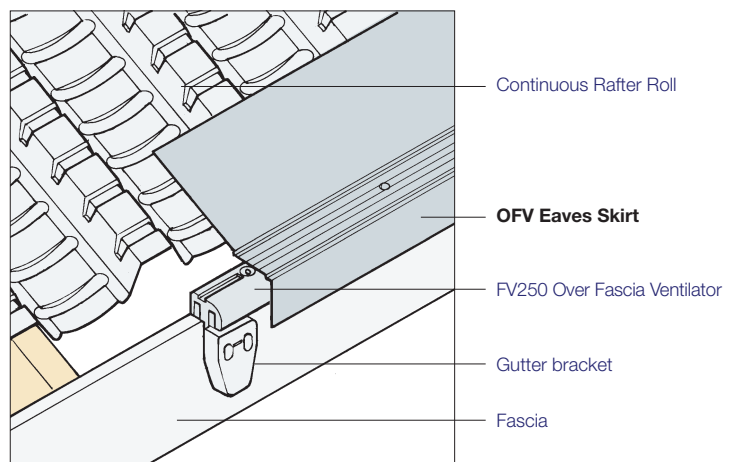
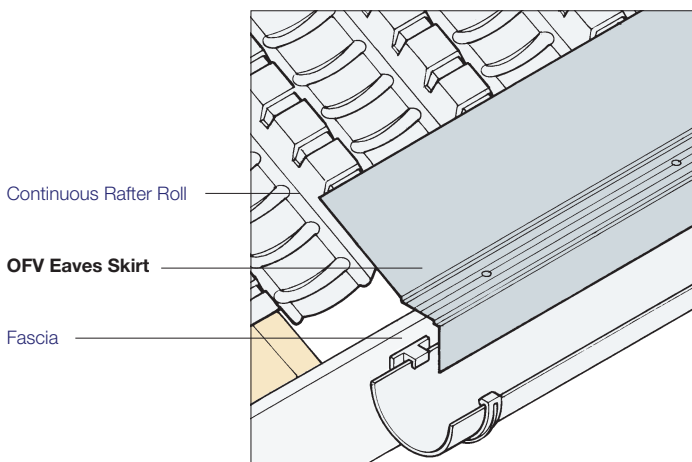
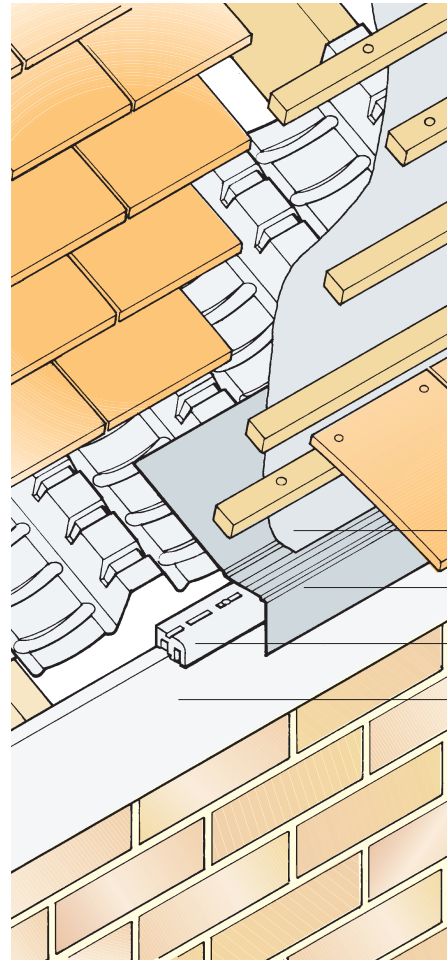
- Avoids sagging and ponding and will not rot in the gutter unlike bitumen derivatives.
- Robust 1.5mm PVC-U construction resists impact and UV degradation over time.
- Prevents wind noise under load.
- For use with Glidevale 10mm or 25mm over fascia ventilators or directly onto fascia board.
- Flexible design allows access to the fascia board for fitting gutter brackets.
- Supplied in 1.5m lengths, 10 lengths per pack.
- Suitable for new build or refurbishment applications.

Authority

Can be used to comply with Building Regulations Approved Document C and BS 5534.

Specification clause

Install Protect eaves skirt to avoid sagging and ponding of underlay behind fascia and ensure correct water discharge into the gutter. Eaves skirt to be extruded in UV-stabilised PVC-U to provide a long term durable solution.



G6 SOLAR INLET TERMINAL



Description, Application

The Protect G6 Solar Inlet Terminal has been designed to guarantee the integrity of the roof when cables and pipes are routed through the tiles/slates and roofing membrane.

Ideal for solar panel installations.

Advantages

- Versatile suits virtually all single lap interlocking roof tiles*.
- G6 also available for slates (soaker base plate) and plain tiles. Specific profiles available to order.
- Easy installation.
- Allows user defined holes to be drilled to accommodate different cable/pipe diameters.
- Five colours available: red, brown, grey, terracotta and red streak.
- Supplied with Underlay Opening Protector.
- Low profile cowl for installation under retro fit photovoltaic panels.
- Compressible foam filler ensures driving and deluge rain resistance.
- Designed and developed under BS EN ISO9001.
- Available in packs of 5.

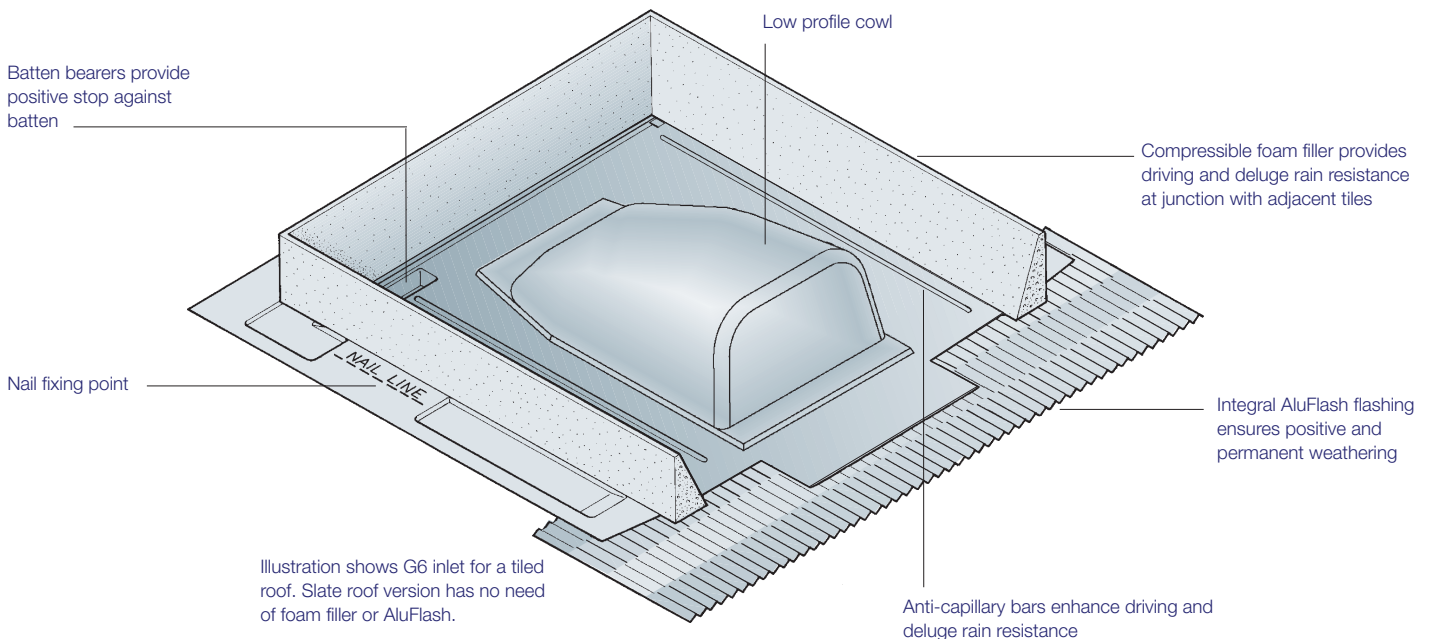
Specification clause

Install Protect G6 (versatile/slate soaker/plain tile, delete as appropriate) inlet as part of the roof covering to provide weather protected inlet[s] for cables or pipes as required.

Fix in accordance with manufacturer's instructions.

*Not suitable for use with Plain Tiles, Clay Single Pantiles, Forticrete Centurion Tiles, Goxhill Gaelic Tiles or Interlocking Slates.

G6 for slates



GENERAL

References

England and Wales

Building Regulations 2010

Approved Document C2 2004 amd. 2010 & 2013 'Resistance to moisture'

Approved Document F1 2010 'Means of ventilation'

Approved Document H 2010 'Drainage and waste disposal'

Scotland

The Building (Scotland) Regulations 2004

Technical Handbook Domestic Buildings Section 3.15.3 'Control of condensation in roofs'

Northern Ireland

Building Regulations (Northern Ireland) 2012

Technical Booklet C 'Site preparation and resistance to moisture'. Section 7 'Roofs'

Republic of Ireland

Building Regulations 2012

Technical Guidance Document F

'Ventilation' 2009. Section 2 'Condensation in roofs'

Code of practice

BS 5250: 2011 'Code of practice for control of condensation in buildings'

Glidevale White Papers

'The new roof ventilation provisions explained' 2006

'Well sealed ceilings explained' 2006

Other documents

BS 5534: 2014 'Slating and tiling for pitched roofs and vertical cladding - Code of practice'

BS 8000-6: 2013 'Workmanship on building sites. Code of practice for slating and tiling of roofs and cladding'

BRE Report BR 262: 2002 'Thermal insulation - avoiding risks'

BRE Digest 415 1996 'Reducing the risk of pest infestations in buildings'

BRE IP 5/06 'Modelling condensation and airflow in pitched roofs'

Robust Details: 'Limiting thermal bridging and air leakage: Robust construction details for dwellings and similar buildings' 2001, DEFRA and DTLR, The Stationery Office

'Thermal and moisture performance of pitched roofs' Pii project report 2005

Specification clauses

Specimen clauses are given on product pages. Most clauses require choices to be made.

For Protect roofing accessory products, add the following to every specification: 'All roofing accessories to be obtained from Protect Membranes, 2 Brooklands Road, Sale, Cheshire M33 3SS.

Tel: 0161 905 5700, Fax: 0161 905 2085, Email: info@protectmembranes.com

For performance specifications, product names and references may be omitted.

Technical advice

Advice is available from our Technical Department on all aspects of roofing underlays, roofing accessories and design. Contact technical@protectmembranes.com.

Other products

Protect Buildtight® Airtightness range

Protect construction membranes, including reflective technology

Protect VC Foil Ultra vapour control layer

Protect F1 floor protection membrane

Supply

Protect Membranes products are available through stockists nationally.

Stockist's stamp



PROTECT MEMBRANES

2 Brooklands Road, Sale, Cheshire M33 3SS

Tel: 0161 905 5700 Fax: 0161 905 2085

Email: info@protectmembranes.com Web: www.protectmembranes.com

Protect Membranes maintains a policy of continuous development and reserves the right to amend product specifications without notice.



A division of Building Product Design Ltd. Company Registration No: 3944123

