



# Data sheet

## Collars Multiplex -CM- in EPDM

090-360-010-000

Rev.00

13/12/2019

Group

090-360-010

### Smooth flange



<b>Function</b>	<p>EPDM MULTIPLEX COLLARS are used to connect EPDM synthetic felts to any through tubes or systems on the roofing.</p> <p>The shank is designed to be used with tubes of various diameters and shaped with a slight taper that facilitates its installation.</p> <p>The smooth flange for excellent bonding with adhesive to EPDM synthetic felts.</p> <p>They are 100% compatible with prefabricated EPDM synthetic felts.</p>		
<b>Compatibility</b>	They are compatible with prefabricated EPDM felts		
<b>Range</b>	DN 10 - DN 12 - DN 30 - DN 40 - DN 63 - DN 75 - DN 80 - DN 90 - DN 100 - DN 110 - DN 125 - DN 140 - DN 160 - DN 200		
<b>Performance</b>	<p>The elastic material they are made with ensures longterm watertightness. They provide excellent resilience to deterioration caused by the sun, ozone and other weather agents or chemicals normally found in the atmosphere.</p> <p>The elasticity of the material allows for excellent flexibility even at low temperatures, which ensures mechanical and physical properties are maintained over time.</p>		
<b>Operating temperature</b>	-20°C; +75°C		
<b>Included accessories:</b>	-	Recycled product	No
<b>Optional accessories:</b>	Band in stainless steel	Recyclable product	Yes
	-	Material	EPDM
	-		
	-		

#### Additional information

We recommend thoroughly cleaning the collar and felt near the area where the connector will be glued.

For a better understanding of the interaction between the Collars and the accessories, please refer to the respective technical data sheets.

If not otherwise indicated, all measurements are expressed in millimetres.



# Data sheet

## Collars Multiplex -CM- in EPDM

090-360-010-000

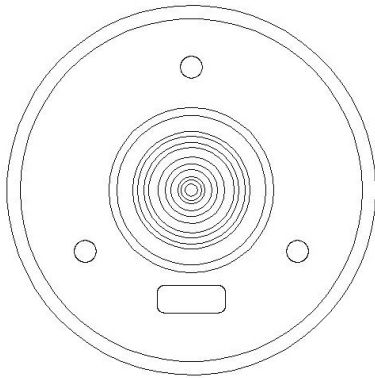
Rev.00

13/12/2019

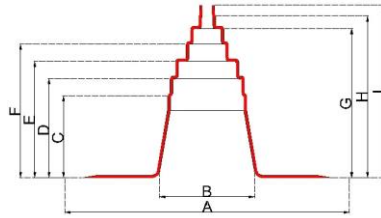
Group

090-360-010

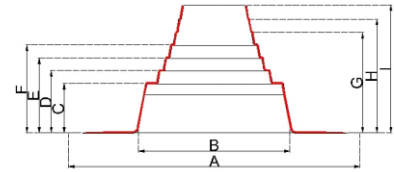
### Smooth flange



Flange type: smooth



090-360-010-001



090-360-010-002

Column values (C-I)=diam/height

Line Item	Description	A	B	C	D	E	F	G	H	I
1	FR-PC-10/80-EPDM	312	104	80/90	75/109	63/128	40/147	30/164	12/178	10/190
2	FR-PC-190/200-EPDM	432	224	200/74	160/93	140/112	125/131	110/150	100/169	90/190

If not otherwise indicated, all measurements are expressed in millimetres.



# Data sheet

## Collars Multiplex -CM- in PVC

120-360-010-000

Rev.00

19/12/2019

Group

120-360-010

### Smooth flange



<b>Function</b>	<p>PVC MULTIPLEX COLLARS are used to connect PVC synthetic felts to any through tubes or systems on the roofing.</p> <p>The shank is designed to be used with tubes of various diameters and shaped with a slight taper that facilitates its installation.</p> <p>The smooth flange for excellent hot air hot air welding to PVC synthetic felts.</p> <p>They are 100% compatible with prefabricated PVC synthetic felts.</p>		
<b>Compatibility</b>	They are compatible with prefabricated PVC felts		
<b>Range</b>	DN 10 - DN 12 - DN 30 - DN 40 - DN 63 - DN 75 - DN 80 - DN 90 - DN 100 - DN 110 - DN 125 - DN 140 - DN 160 - DN 200		
<b>Performance</b>	<p>The elastic material they are made with ensures longterm watertightness. They provide excellent resilience to deterioration caused by the sun, ozone and other weather agents or chemicals normally found in the atmosphere.</p> <p>The elasticity of the material allows for excellent flexibility even at low temperatures, which ensures mechanical and physical properties are maintained over time.</p>		
<b>Operating temperature</b>	-20°C; +75°C		
<b>Included accessories:</b>	-	Recycled product	No
<b>Optional accessories:</b>	Band in stainless steel		
	-	Recyclable product	Yes
	-	Material	PVC
	-		
	-		

#### Additional information

We recommend thoroughly cleaning the collar and felt near the area where the connector will be welding area.

For a better understanding of the interaction between the Collars and the accessories, please refer to the respective technical data sheets.

If not otherwise indicated, all measurements are expressed in millimetres.



# Data sheet

## Collars Multiplex -CM- in PVC

120-360-010-000

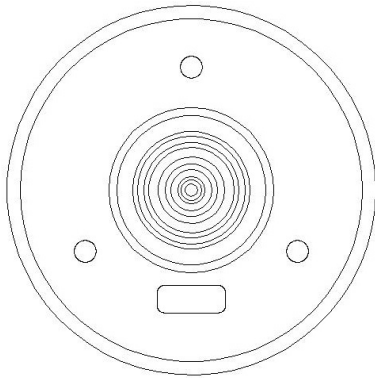
Rev.00

19/12/2019

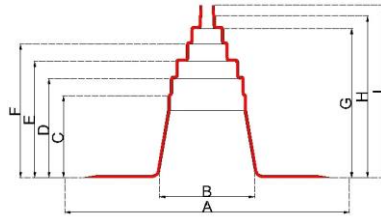
Group

120-360-010

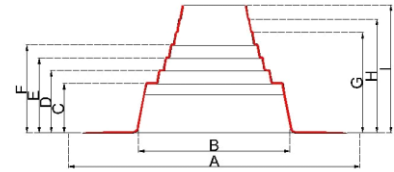
### Smooth flange



Flange type: smooth



120-360-010-001



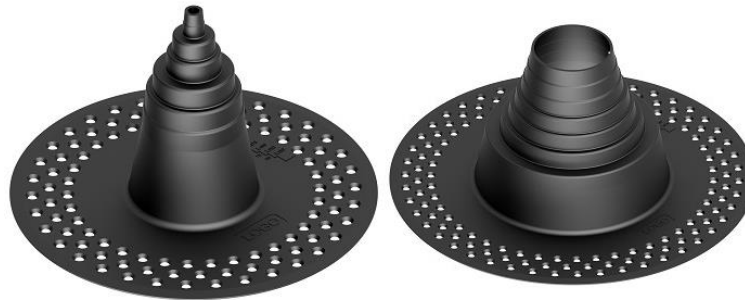
120-360-010-002

Column values (C-I)=diam/height

Line Item	Description	A	B	C	D	E	F	G	H	I
1	FR-PC-10/80-PVC	312	104	80/90	75/109	63/128	40/147	30/164	12/178	10/190
2	FR-PC-90/200-PVC	432	224	200/74	160/93	140/112	125/131	110/150	100/169	90/190

If not otherwise indicated, all measurements are expressed in millimetres.

**Flange with holes**



<b>Function</b>	<p>TPE MULTIPLEX COLLARS are used to connect the waterproof bituminous felts to any through tubes or systems on the roofing.</p> <p>The shank is designed to be used with tubes of various diameters and shaped with a slight taper that facilitates its installation.</p> <p>The perforated flange favours gas welding with bituminous sheaths.</p> <p>They are 100% compatible with APP and SBS prefabricated bituminous membranes and bituminous coats. A sandwich installation between the two layers of membrane is recommended to achieve top performance.</p>		
<b>Compatibility</b>	<p>They are compatible with APP and SBS prefabricated bituminous felts and bituminous coats.</p>		
<b>Range</b>	<p>DN 10 - DN 12 - DN 30 - DN 40 - DN 63 - DN 75 - DN 80 - DN 90 - DN 100 - DN 110 - DN 125 - DN 140 - DN 160 - DN 200</p>		
<b>Performance</b>	<p>The elastic material they are made with ensures longterm watertightness. They provide excellent resilience to deterioration caused by the sun, ozone and other weather agents or chemicals normally found in the atmosphere.</p> <p>The elasticity of the material allows for excellent flexibility even at low temperatures, which ensures mechanical and physical properties are maintained over time.</p>		
<b>Operating temperature</b>	<p>-20°C; +75°C</p>		
<b>Included accessories:</b>	-	Recycled product	No
<b>Optional accessories:</b>	Band in stainless steel	Recyclable product	Yes
	-	Material	TPE
	-		
	-		

**Additional information**

To improve gas welding, a thin coat of primer can be applied on the drain connectors beforehand.  
For a better understanding of the interaction between the Collars and the accessories, please refer to the respective technical data sheets.

If not otherwise indicated, all measurements are expressed in millimetres.



# Data sheet

## Collars Multiplex -CM- in TPE

030-370-010-000

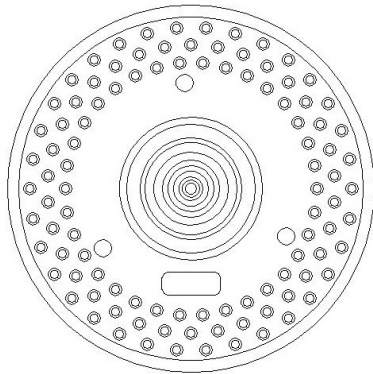
Rev.00

13/12/2019

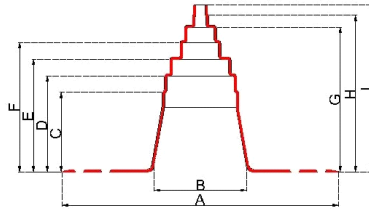
Group

030-370-010

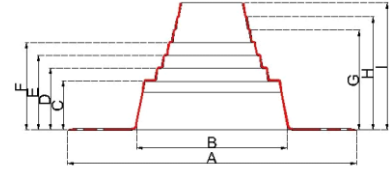
### Flange with holes



Flange type: perforated



030-370-010-001



030-370-010-002

Column values (C-I)=diam/height

Line Item	Description	A	B	C	D	E	F	G	H	I
1	FR-PC-10/80-TPE	312	104	80/90	75/109	63/128	40/147	30/164	12/178	10/190
2	FR-PC-90/200-TPE	432	224	200/74	160/93	140/112	125/131	110/150	100/169	90/190

If not otherwise indicated, all measurements are expressed in millimetres.



# Data sheet

## Collars Multiplex -CM- in TPO

151-360-010-000

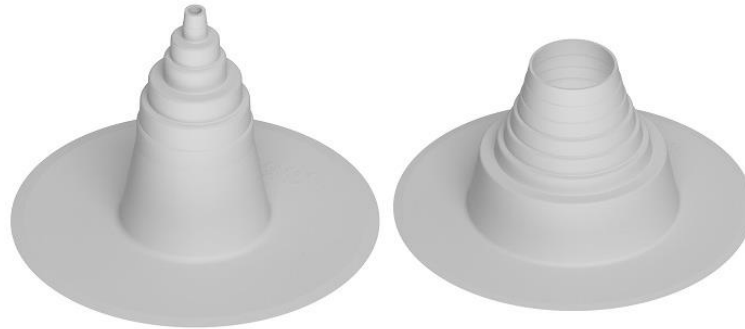
Rev.00

11/05/2020

Group

151360-010

### Smooth flange



<b>Function</b>	TPO MULTIPLEX COLLARS are used to connect TPO synthetic felts to any through tubes or systems on the roofing. The shank is designed to be used with tubes of various diameters and shaped with a slight taper that facilitates its installation. The smooth flange for excellent hot air welding to TPO synthetic felts. They are 100% compatible with prefabricated TPO synthetic felts.		
<b>Compatibility</b>	They are compatible with prefabricated TPO felts		
<b>Range</b>	DN 10 - DN 12 - DN 30 - DN 40 - DN 63 - DN 75 - DN 80 - DN 90 - DN 100 - DN 110 - DN 125 - DN 140 - DN 160 - DN 200		
<b>Performance</b>	The elastic material they are made with ensures longterm watertightness. They provide excellent resilience to deterioration caused by the sun, ozone and other weather agents or chemicals normally found in the atmosphere. The elasticity of the material allows for excellent flexibility even at low temperatures, which ensures mechanical and physical properties are maintained over time.		
<b>Operating temperature</b>	-20°C; +70°C		
<b>Included accessories:</b>	-	Recycled product	No
<b>Optional accessories:</b>	Band in stainless steel		
	-	Recyclable product	Yes
	-	Material	TPO
	-		
	-		

#### Additional information

We recommend thoroughly cleaning the collar and felt near the area where the connector will be welding area.  
For a better understanding of the interaction between the Collars and the accessories, please refer to the respective technical data sheets.

If not otherwise indicated, all measurements are expressed in millimetres.



# Data sheet

## Collars Multiplex -CM- in TPO

151-360-010-000

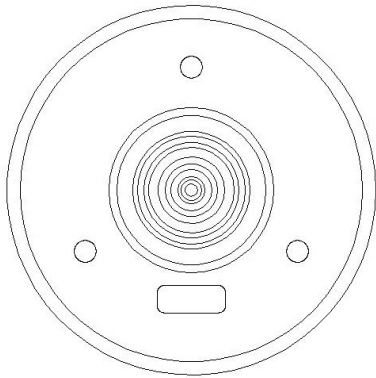
Rev.00

11/05/2020

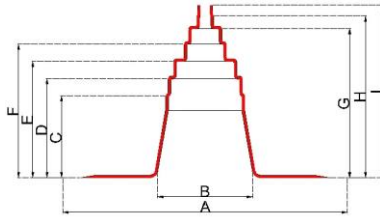
Group

151360-010

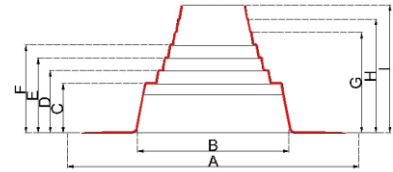
### Smooth flange



Flange type: smooth



L151360-010-001



L151360-010-002

Column values (C-I)=diam/height

Line Item	Description	A	B	C	D	E	F	G	H	I
1	FR-PC-10/80-TPO	312	104	80/90	75/109	63/128	40/147	30/164	12/178	10/190
2	FR-PC-90/200-TPO	432	224	200/74	160/93	140/112	125/131	110/150	100/169	90/190

If not otherwise indicated, all measurements are expressed in millimetres.