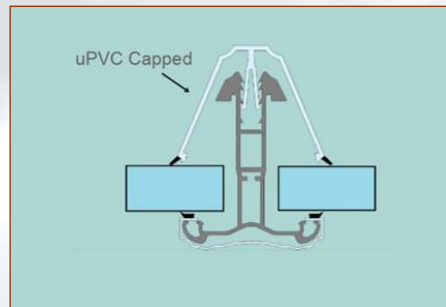


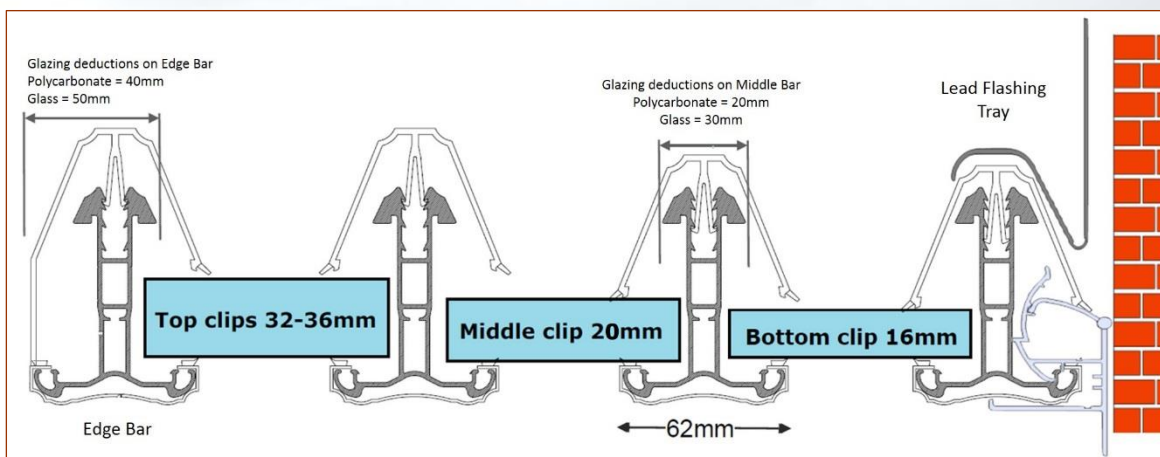
**GENERAL DESCRIPTION**

Top caps for the Heavy Duty Glazing Bar are uPVC and will glaze 16mm, 25mm, 32mm and 35mm thickness polycarbonate glazing.

The PVC top cap is available in White, Rosewood, Golden Oak, Black 9005, Agate Grey 7038mm Antique Oak, Anthracite Grey 7016 and Chartwell Green. RAL colours to order.



**ADDITIONAL PROFILES TO SUPPORT THE HEAVY DUTY SELF SUPPORT RAFTER**



**BS COMPLIANCE**

*BS 6262 : GLAZING FOR BUILDINGS*

**BS 6262 : Glazing for Buildings**

BS 1161 1977 (1991) : Specification for aluminium alloys for structural purposes. Dimensions, geometrical properties and mass per unit length of aluminium alloy section.

**BS 81218 1991 : The Structural Use Of Aluminium**

Alloy grade/properties : 6063 T6 maximum permissible bending stress ie 96N/mm<sup>2</sup>.

**BS 5516 : 1991 Code of Practise for Design and Installation of Sloping And Vertical Parent Glazing**

Two edge of 4 edge patent glazing systems with glass and plastic glazing sheet materials.

**BS 6399 Part 1 1984 : Design Loading for Building Part 1**

Code of practise for dead and imposed loads. (Partial safety factor = 1.2 for dead, wind and imposed loadings).

**BS 6399 Part 3 1988 : Design Loading for Building Part 3**

Code of practise for imposed roof loads. Section 2:

Snow loads, 25 year exposure: load factor = 0.82 max site altitude of 50m with no abnormal load patterns.

CP3 Chapter V : Wind loads part 2 1972

*Restrictions of use* – 25 year exposure load factor = 0.9 – Local topography features ignored – Max ridge/wall plate height = 5m – Max roof pitch = 25 degrees – Minimum roof pitch 5 degrees.