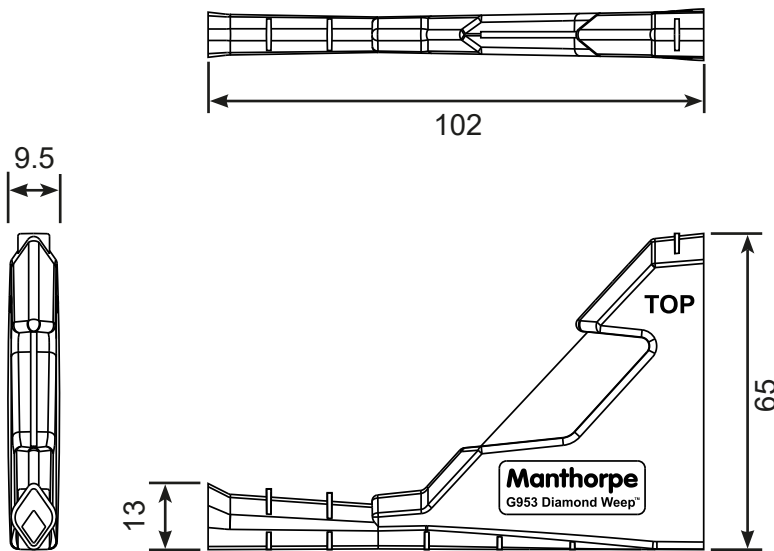


Diamond Weep™

CODE G953



Description

The G953 Diamond Weep™ provides a robust & discreet solution to cavity wall drainage requirements.

The unique diamond shape profile helps to increase the drainage flow rate along the base of the channel promoting self-cleaning and removal of debris build up. Ribs along the angled outer walls also create a more robust mortar key within the perp end to ensure a secure fit within the outer leaf construction. The face of the diamond shaped outlet finishes flush with the brickwork for quick detailing into the mortar joint, with the tapering outlet designed for easy cleaning.

The rear opening of the weep stands 65mm high, the full height of the perp joint, as per the guidance of NHBC Technical Extra 17 ensuring an optimum drainage inlet from within the cavity. The profile of the weep also features a minimum opening point of 4mm which is ample for water drainage but small enough to prevent entry of large insects.

The Diamond Weep™ is available in clear and in a range of colours to match various wall and mortar finishes.

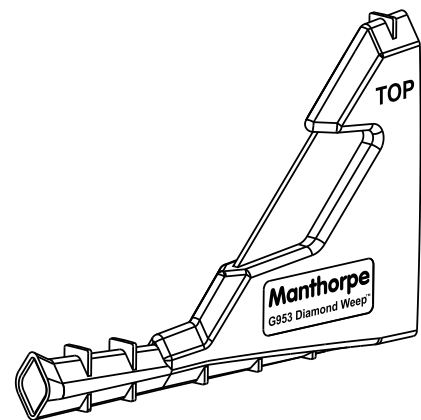
Colours	Clear, Buff, Grey, Black, White, Terracotta, Brown Blue/Black
Packaging Qty	100 per box
Weight	0.069 kg per unit
	0.7 kg per box
Material	Polypropylene
Manufacturing Process	Injection Moulded

Installation Guidance

In accordance with Building Regulations Part C 5.5(c) weep holes should be positioned every 900mm above a low level damp proof course to assist in the transfer of moisture through the external leaf.

NHBC Standards 6.1.17 provides additional guidance for fairfaced masonry supported by lintels where weep holes should be provided at a maximum of 450mm intervals to drain moisture from the lintel/lintel tray.

When used with Manthorpe Horizontal Abutment Cavity trays, it is recommended that one weep be used every 450mm which equates to one perp weep per GW294 and 2 per GW295.



MANTHORPE BUILDING PRODUCTS LTD
MANTHORPE HOUSE
BRITAIN DRIVE
CODNOR GATE BUSINESS PARK
RIPLEY
DERBYSHIRE DE5 3ND

TEL: 01773 303 000
FAX: 01773 303 300
EMAIL:
mbp.care@manthorpebp.co.uk
WEB
www.manthorpebp.co.uk

DRN B.H.

Date: 22/05/20

DRG No

Issue

The company maintains a policy of continuous development of its product range and reserves the right to amend the specification without notice.

MBP 8363

A