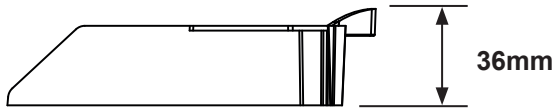
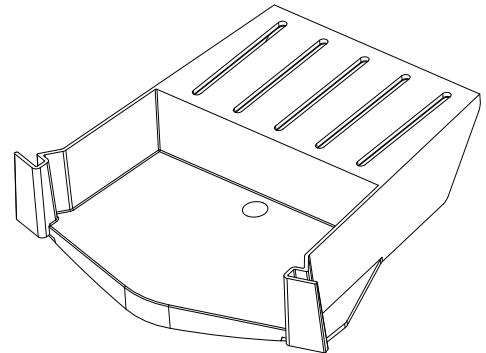


Rebated Eaves Closure Unit (GPPV-REC)



Description

The Eaves Closure Unit is the first element of the system to be installed to secured the lower end of the first verge unit, providing a strong foundation for the remainder of the system.

The design is ambidextrous in nature and can be used on both verges of the roof, with the rebated unit allowing adequate clearance for any extended guttering.

Features

- Fast and easy to install, dry fix verge system.
- Suits small and large format concrete interlocking tiles.
- Can be fitted with a batten gauge of 255mm to 345mm.
- Provides a mechanically fixed, mortar-free solution.
- Protects the verge from exposure to the elements.
- Also helps to prevent the entry of birds and large insects.
- Suitable for both new build and refurbishment details.
- Can be installed on roof pitches between 15° and 55°.
- Drains moisture away from the wall to prevent staining.
- Manufactured from UV stabilised polypropylene.
- Available in a range of colours to suit various roof types.
- Meets BS 5534 requirements for mechanical fixing.
- System independently wind tunnel tested at the BRE.

Packing Details	40 per box. Packed in bags of 2 units including nail fixings. 20 bags per box.
Box Weight	2.5 kg (approx.)
Part Weight	0.053 kg
Material	Polypropylene
Manufacturing Process	Injection Moulded
Colours	(BL) Black

References

BSI: BS 5534:2014 Code of Practice for Slating and Tiling
 BRE: Test report number P110111-1000
 NHBC: Standards - Chapter 7.2 Pitched Roofs

MANTHORPE BUILDING PRODUCTS LTD
 MANTHORPE HOUSE
 BRITAIN DRIVE
 CODNOR GATE BUSINESS PARK
 RIPLEY
 DERBYSHIRE DE5 3ND

TEL: 01773 303 000
 FAX: 01773 303 300
 EMAIL: mbp.care@manthorpebp.co.uk
 WEB: www.manthorpebp.co.uk

DRN B.H. Date 20.06.19

The company maintains a policy of continuous development of its product range and reserves the right to amend the specification without notice.

DRG No
MBP 8330

Issue

B