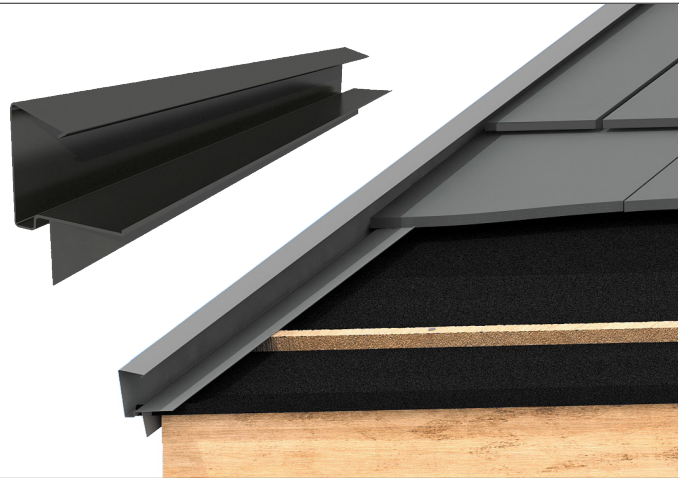


uPVC

## Tile Dry Verge Trim uPVC (T2)



Our Kytun Tile Dry Verge uPVC Systems permanently secures tiles on gable ends and gives an attractive maintenance free finish to the roofline. It provides a neat, continuous and totally weatherproof finish to the gable.

The pvc system is available in Black. Integral drainage system channels water to the eaves gutter. The components are manufactured from high durability extruded UV inhibited PVC-u.

### Features & Benefits

- Integrated vertical leg provides full wind uplift and rain protection along the verge and to the batten ends.
- Independently tested to BS 8612 by BRE.
- Drains directly into eaves gutter.
- Will not discharge water on to gable end wall.
- Requires no maintenance once installed.
- Quick & easy to install, saving labour costs.
- Creates continuous clean verge appearance.
- UV stabilised for long life and colour stability.
- Internal & External jointers available separately.
- Fully compatible with most flat tiles on the market.
- Suitable for brick, render & bargeboard construction.

### Technical Details

<b>Product Code</b>	C08PS/C08P
<b>Length</b>	3m
<b>Colour</b>	Black
<b>Material</b>	uPVC
<b>Pack Qty</b>	8
<b>Pack Weight</b>	11Kg

#### 45 - 55mm Version

Suitable for maximum individual tile thickness of 25mm.

#### 60 - 70mm Version

Suitable for maximum individual tile thickness of 32mm.

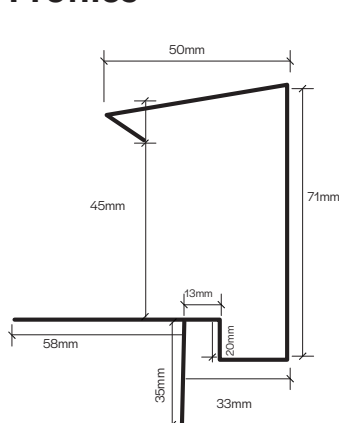
### Quality Standards & Certification



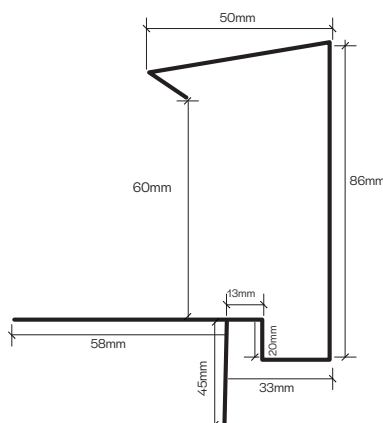
uPVC

## Tile Dry Verge Trim uPVC (T2)

### Profiles



C08PS  
25mm  
Tile



C08P  
32mm  
Tile

### Tile Dry Verge uPVC Fittings

Code	Description	Size	Colour	Pk Qty
C08PFJIBL	Stand. Int Jointer	Suits both sizes	Blk	n/a
C08PSFJEBL	External Jointer	45-55mm	Blk	n/a
C08PFJEBL	External Jointer	60-70mm	Blk	n/a



**C08PFJIBL**  
Standard Internal Jointer



**C08PJEBL**  
External Jointer