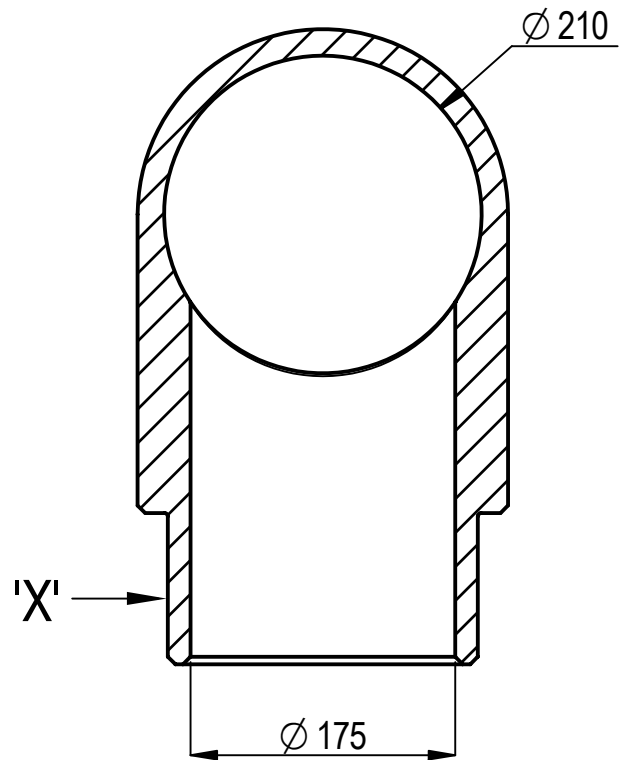
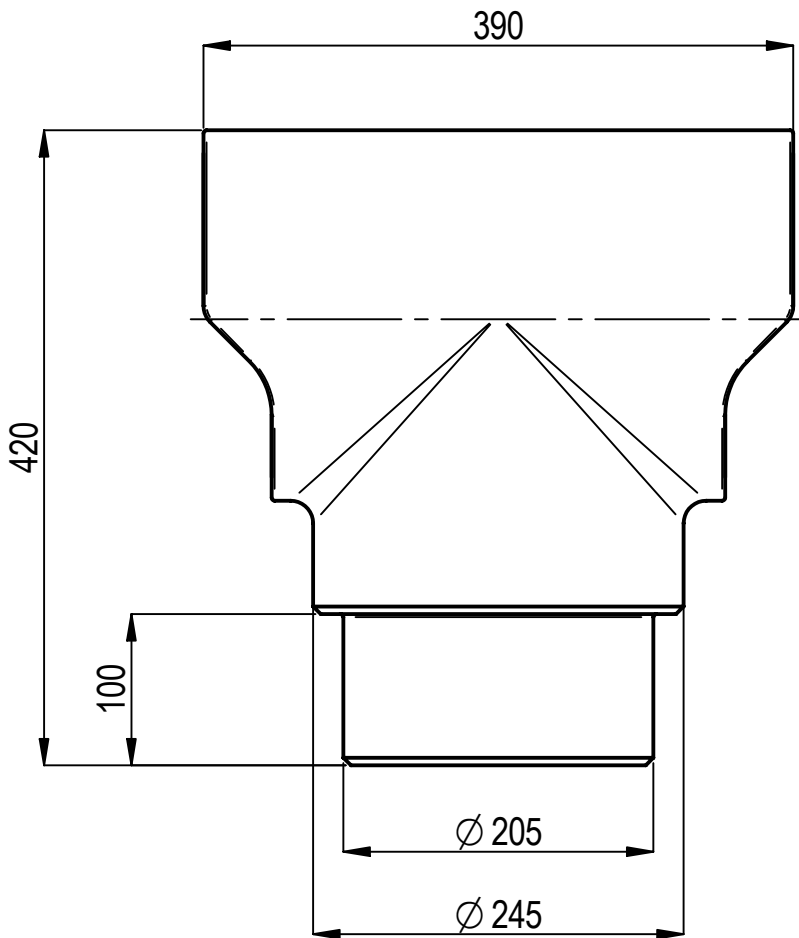
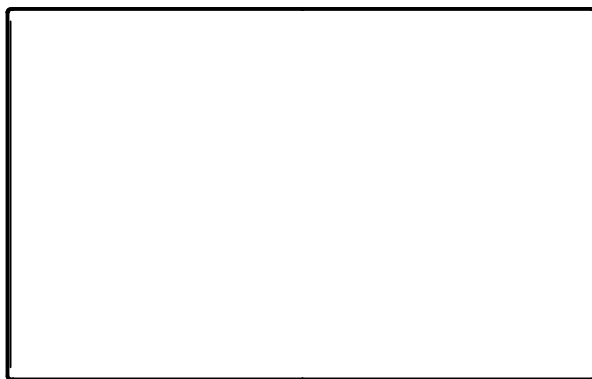


RESTRICTED FLUE TERMINAL TO BS EN13502 - TYPE 1



MARKINGS APPLIED AT 'X'

WTK EN13502 CE
 205 OD
 175 ID
 420 HT
 WTK DATE (DDMMYY)



ISOMETRIC VIEW
 1:10

TO SPECIFY COLOUR, ADD SUFFIX TO CODE
 R = RED, B = BUFF, X = BLACK, G = GLAZED



THIS DRAWING IS THE PROPERTY OF WT KNOWLES & SONS LTD
 AND MUST NOT BE USED IN ANY WAY PREJUDICIAL TO THEIR INTERESTS

± 10% TOLERANCE TO BE APPLIED ON ALL DIMENSIONS

WEIGHT = 14.95 Kg DRAWN: GB 22-10-07
 DO NOT SCALE ISSUE: 5 02-07-18

SCALE
 1:5



TITLE :-
 DFE INSERT 205mm SPIGOT

DRAWING No. :-
 KYK185

A4