

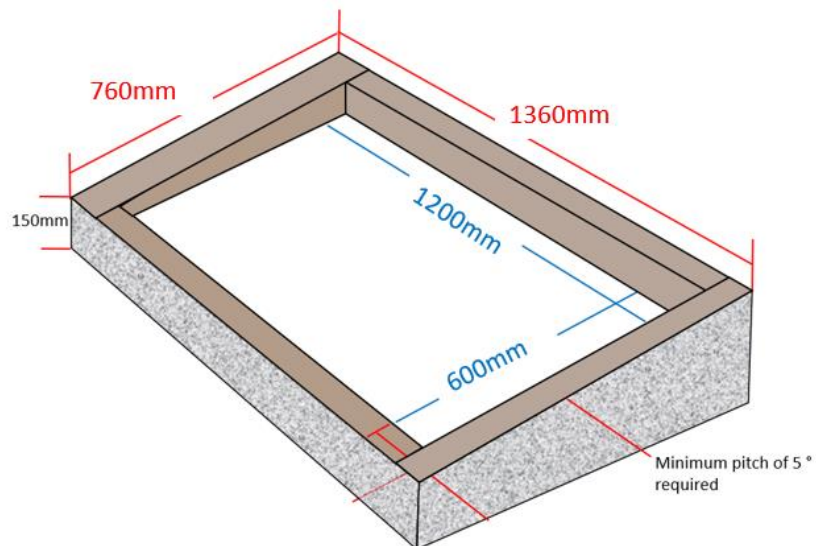
## Flat Fixed Rooflight Standard Stock Size 600mm x 1200mm

### Kerb/Upstand Sizes (by others)

Internal Kerb Upstand Size 600mm x 1200mm

External Kerb/Upstand Size 760mm x 1360mm

Kerb/Upstand thickness 80mm (including weathering)



### Fixed Rooflight Sizes

Internal Opening Size 600mm x 1200mm

External Frame Size 781mm x 1381mm

Frame Height 119mm

