

CONTI-SOAKERS

hambleside-danelaw.co.uk



The continuous GRP soakers provide a quick and efficient method of forming a secret gutter or weatherproof solution at the tile roof side abutment junction.

The HDL CSTC is a new conti-soaker designed for use with tile verge clips and is reduced in width to allow the use of a wide range of verge clip designs.

FEATURES AND BENEFITS

- Quick and simple to install
- Thermally stable
- UV and acid rain resistant
- Lead alternative
- Reduced theft risk
- Creates no harmful run off into water courses

THE CONTI-SOAKER RANGE

The range of GRP conti-soakers for tile and slate roofs are available in lipped* and unlipped options. The lipped version is fixed directly into the wall, alternatively the unlipped version can be installed with a stepped or GRP cover flashing.

*HDL CSTC is only available in an unlipped version.

Hambleside Danelaw
Building Products

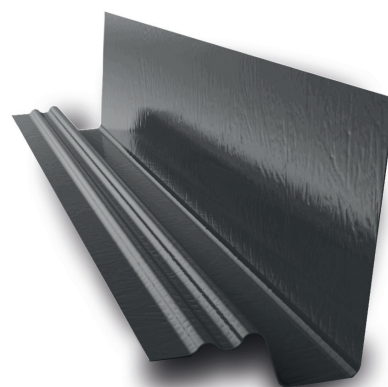


NEW



HDL CSTC

30
★ YEAR ★
GUARANTEE



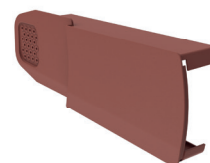
For tile roofs using verge clips

Code	HD CSTC
Size mm (H x W x L)	140 x 120 x 3000
Made from	GRP
Available in	Anthracite

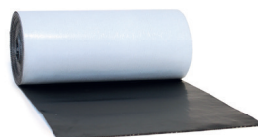
RELATED PRODUCTS



HD RCS
Individual Abutment Soakers



HD MV20
Interlocking Dry Verge

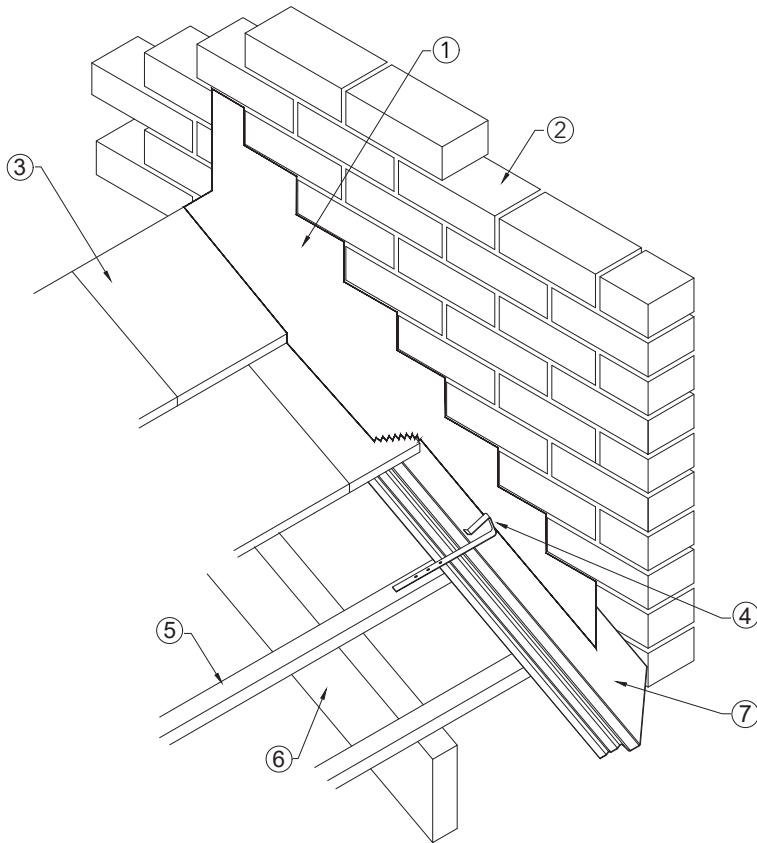


Fast Flash

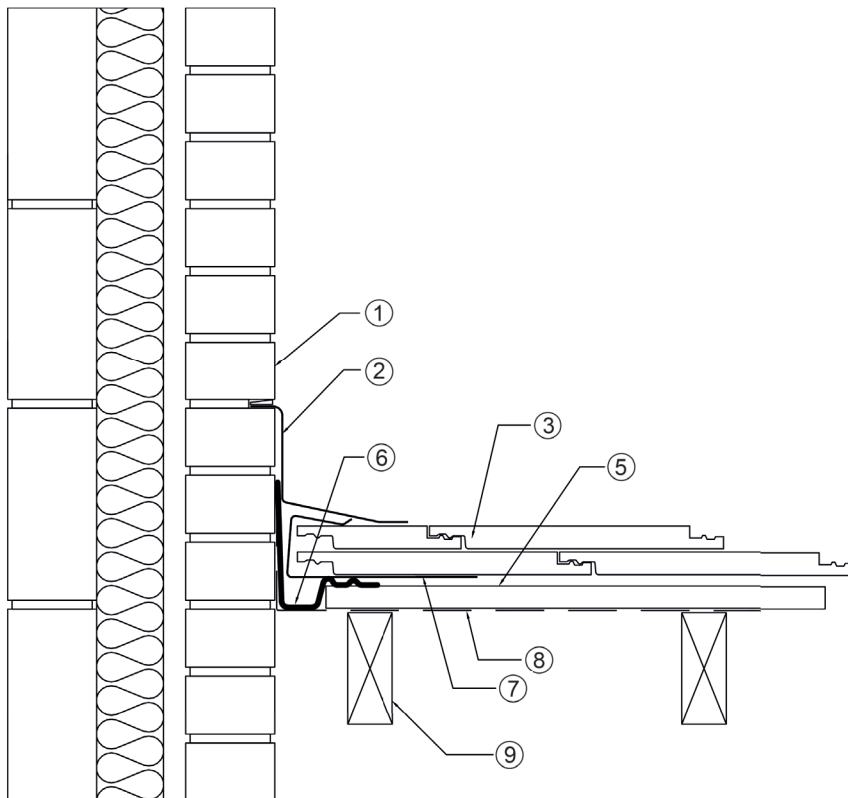
An environmentally friendly, lead-alternative flashing. Available in 3 colours of 5 metre rolls in 4 widths, codes: Fast Flash 140, 280, 370, 560



HD CSTC - INSTALLATION



- ① Step and cover flashing
- ② Abutment wall
- ③ Typical tile roof covering
- ④ Verge clip
- ⑤ Tile batten
- ⑥ Rafter
- ⑦ Continuous soaker for tiles (HDL CSTC)



- ① Abutment wall
- ② Step and cover flashing to suit application
- ③ Typical tile roof covering
- ④ Tile batten
- ⑤ Continuous soaker HDL CSTC
- ⑥ Verge tile clip
- ⑦ Underlay, returned up abutment wall by 100mm minimum
- ⑧ Rafter

For full installation recommendations scan me!



Hambleside Danelaw Limited

Long March, Daventry, Northampton NN11 4NR

Tel: 01327 701900 | Email: techhelp@hambleside-danelaw.co.uk | www.hambleside-danelaw.co.uk



A Hambleside Danelaw Ltd product © All rights reserved

Hambleside Danelaw
Building Products

