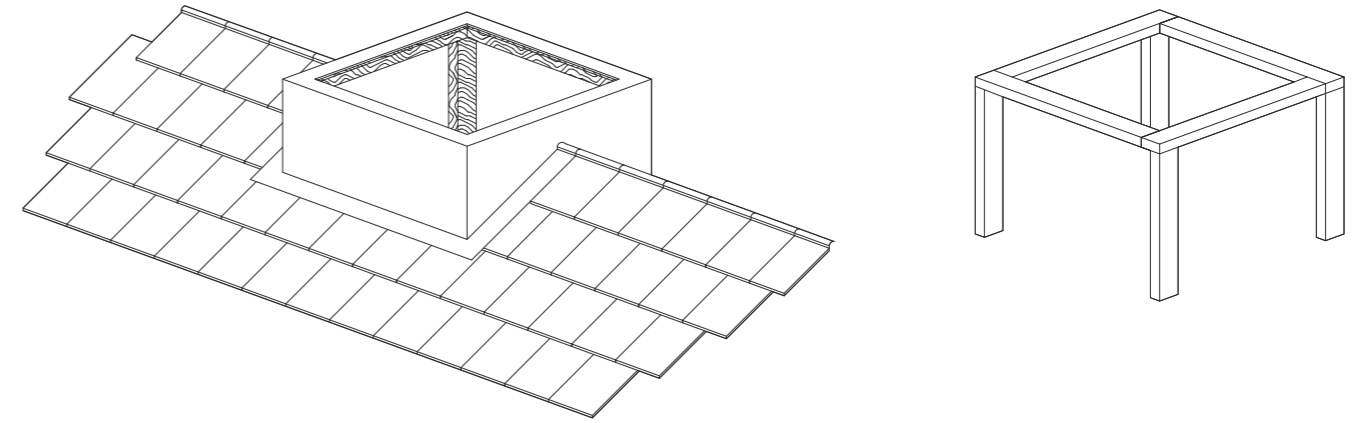


Every care has been taken in the production of these drawings and the dimensions are correct.
We can not however guarantee accuracy or consistency of scale - all drawings are for guidance only

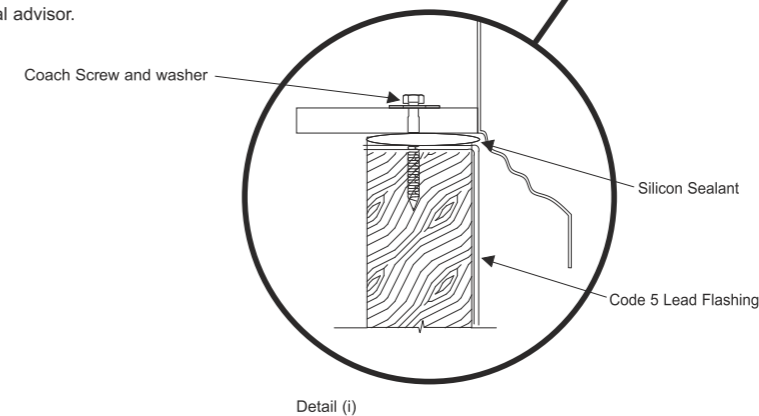
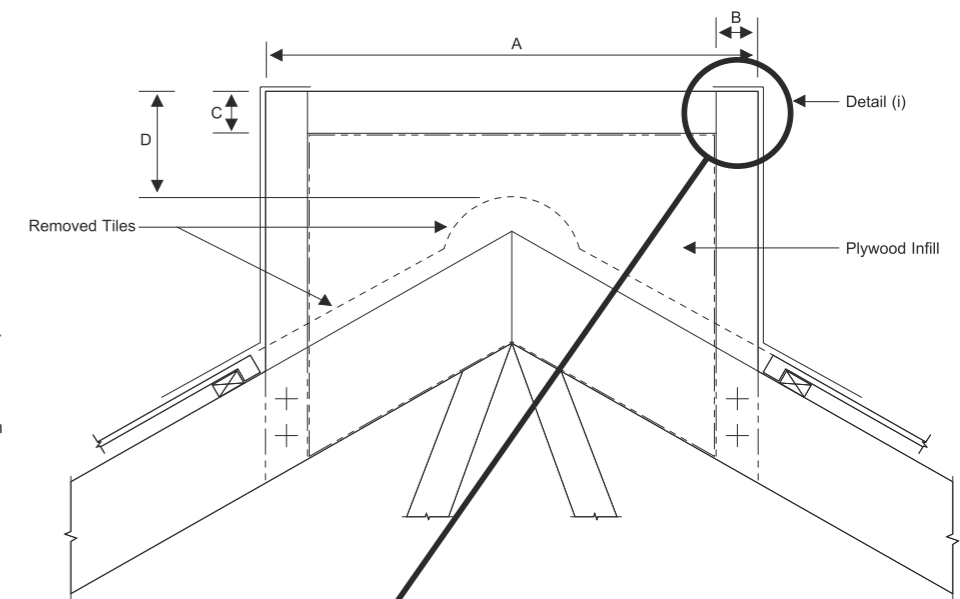
Name	A	B	C	D
Peterborough 6	650	600	670	450
Peterborough 7	820	700	890	510
Peterborough 8	980	850	1000	650

All dimensions in mm



(1) Constructed By General Contractor/Client

- (2) Internal access is useful but not essential. For fully insulated rafter roof construction we recommend covering the ridgebox with plywood and over-cloaking in lead. This removes any possibility of condensation caused by cold-bridging.
- (3) Ridgebox to be constructed from treated softwood timbers.
- (4) Fixed to roof trusses with tiles removed and flashed with code 5 lead.
- (5) Sides of ridgebox should be infilled with 15mm Plywood of external quality.
- (6) Ridge tiles to butt up to side of the ridgebox.
- (7) Lead flashing must cover all timbers and must give a minimum overhang on the roof tiles of 150mm.
- (8) All to BS.6915 1988 and Guide To Good Practice LDA.
- (9) Hawkins Clock Company bears no responsibility for any structural, atmospheric or climatic consequences to the existing building associated with the construction and/or installation and usage of the ridgebox and tower. If in doubt please refer to your own architectural advisor.



Name	A	B	C	D*
Peterborough 6	600	50	75	50
Peterborough 7	700	75	75	75
Peterborough 8	850	75	75	100

* Dimension D is a guide and is left to client's own personal choice

Hawkins Clock Company

GRP Roof Turrets

Dimensions and Installation Guide

01733 330222

www.hawkinsclocks.co.uk

enquiries@hawkinsclocks.co.uk