

FPP-V, FPU-V, FPW-V

TOP HUNG AND PIVOT WOODEN ROOF WINDOW



I. APPLICATION

	Top hung and pivot window
	Installed in roofs with pitches 15-55°

II. FEATURES

	Pinewood, natural colour (FPP), white NCS S0502-Y polyurethane (FPU) or acrylic (FPW)
	TopSafe system
	V40P automatic air inlet
	Quadruple sealing system
	Universal installation system
	Warm TGI spacer
	Handle Elegant

III. ADDITIONAL PRODUCTS USED WITH WINDOWS

Flashings	
	standard
	special
	combination
Control	
	manual
	electric
Mounting accessories	
	insulation sets
	linings
	auxiliary rafters
	bands
	frame extensions
External accessories	
	awning blinds
	roller shutters
Internal accessories	
	blackout blinds
	roller blinds
	standard roller shutters
	awning blinds
	pleated blinds
Other accessories	
	insect screen

IV. OPTIONS

	Wooden profiles painted in any RAL colour or one of the five transparent colours
	External cladding elements painted in any RAL colour or manufactured to match event the most unusual roofing colours (CU, TC)
	Window with a mullion bar
	Non-standard glazing unit

V. DECLARATION OF PERFORMANCE

Harmonized standard	EN 14351-1:2006+A1:2010
Number of Declaration of Performance	XXX/CPR/14351/xx Individual numbers of Declaration of Performance are to be found in the table with technical parameters

VI. TECHNICAL PARAMETERS

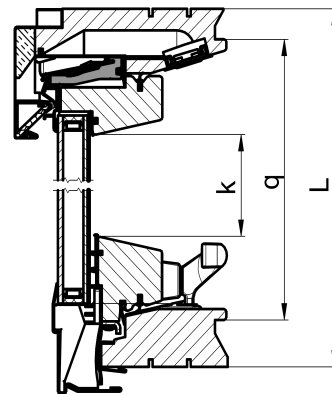
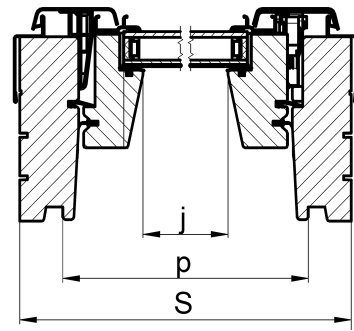
Technical parameters	Glazing unit type								
	U3	U5	U5+EHV- AT Thermo	P2	P5	R1	G2	G61	standards
- Window heat transmittance coefficient Uw [W/m²K]	1,3	0,97	0,92*	1,3	0,97	1,3	1,3	1,3	EN 12567-2, EN 10077
- Glazing heat transmittance coefficient Ug [W/m²K]	1,0	0,5	0,5	1,0	0,5	1,0	1,0	1,0	EN 673
- Acoustic performance Rw [dB]	32 (-1;-5)	33 (-2;-6)	33 (-2;-6)	35 (-1;-3)	35 (-2;-4)	39 (-2;-5)**	35 (-1;-3)	39 (-2;-5)**	EN ISO 717-1
- max. capacity of air inlet [m³/h] - 10Pa	up to 49								
- air permeability class	4								
- light permeability tv	0,76	0,73	0,73	0,75	0,63	0,75	0,40	0,40	EN 1026, EN 12207
- solar factor [g]	0,53	0,53	0,53	0,52	0,48	0,51	0,23	0,23	EN 410
- permeability UV	0,26	0,28	0,28	0,01	0,01	0,02	0,01	0,01	EN 410
- frame thermal insulation Uf [W/m²K]	1,96*	1,93*/1,387*	1,387*	1,96*	npd	npd	1,96*	npd	EN ISO 10077-1 EN ISO 10077-2
- thermal insulation of window frame connection with glazing ψ [W/mK]	0,052*	0,059*/0,062*	0,062*	0,065*	npd	npd	0,065*	npd	EN ISO 10077-1 EN ISO 10077-2
Number of Declaration of Performance	B01/CPR/14351/xx	B01/CPR/14351/xx	-	B40/CPR/14351/xx	B40/CPR/14351/xx	B40/CPR/14351/xx	B50/CPR/14351/xx	B05/CPR/14351/xx	EN 14351-1:2006+A1:2010

* Result of FAKRO internal tests

** Parameter for the window without air inlet FPP R1, G61 (FPP-V R1, G61 Rw= 36(-2;-3))

VII. DETAILED DIMENSIONS OF FPP-V WINDOWS

Window size	Size symbol	Frame external size		Distance between lining grooves		Glazing area		Glazing visible area		
		S	x L	p	q	j	k	j * k		
[cm]		[mm]								[m²]
55 x 98	02	547	x 981	485	924	369	791	0,29		
55 x 118	16	547	x 1181	485	1124	369	991	0,37		
55 x 140	AM	547	x 1401	485	1344	369	1211	0,45		
55 x 160	AN	547	x 1601	485	1544	369	1411	0,52		
66 x 98	03	657	x 981	595	924	479	791	0,38		
66 x 118	04	657	x 1181	595	1124	479	991	0,47		
66 x 140	14	657	x 1401	595	1344	479	1211	0,58		
66 x 160	BN	657	x 1601	595	1544	479	1411	0,68		
78 x 98	05	777	x 981	715	924	599	791	0,47		
78 x 118	06	777	x 1181	715	1124	599	991	0,59		
78 x 140	07	777	x 1401	715	1344	599	1211	0,73		
78 x 160	13	777	x 1601	715	1544	599	1411	0,85		
94 x 98	15	937	x 981	875	924	759	791	0,60		
94 x 118	08	937	x 1181	875	1124	759	991	0,75		
94 x 140	09	937	x 1401	875	1344	759	1211	0,92		
94 x 160	80	937	x 1601	875	1544	759	1411	1,07		
114 x 118	10	1137	x 1181	1075	1124	959	991	0,95		
114 x 140	11	1137	x 1401	1075	1344	959	1211	1,16		
134 x 98	12	1337	x 981	1275	924	1159	791	0,92		
134 x 118	18	1337	x 1181	1275	1124	1159	991	1,15		
134 x 140	17	1337	x 1401	1275	1344	1159	1211	1,40		



VIII. CAPACITY OF V40P AIR INLET

		Window width [cm]					
		55/..	66/..	78/..	94/..	114/..	134/..
Geometric area * [mm²]		2,436	3,480	4,524	4,524	6,960	6,960
Pressure difference [Pa]							
1	[m³/h]	5.27	6.9	8.58	8.58	14.89	14.89
	[l/s]	1.46	1.92	2.38	2.38	4.14	4.14
2	[m³/h]	7.66	10.07	12.39	12.39	21.64	21.64
	[l/s]	2.13	2.8	3.44	3.44	6.01	6.01
10	[m³/h]	17.28	23.34	27.89	27.89	49.08	49.08
	[l/s]	4.8	6.48	7.75	7.75	13.63	13.63
20	[m³/h]	16.86	30.97	34.12	34.12	70.84	70.84
	[l/s]	4.68	8.6	9.48	9.48	19.68	19.68

* the smallest cross-section area of the air inlet channel

