

Roofing guide 2020



Forticrete



**NET PRICE LIST
FULL LOADS**

Effective from 1st January 2020



Ibstock
At the heart of building



REPLICATING NATURAL MATERIALS **COST-EFFECTIVELY**

Forticrete's ability to replicate natural materials cost-effectively has allowed us to develop a range of the most established and the most innovative roof tiles and slates.

Our products replicate the appeal of natural stone, slate, traditional plain tiles or pantiles, but with many practical and environmental advantages.

Used in conjunction with Forticrete Walling and Cast Stone products, they provide a single-source solution to creating a home's complete external envelope.



Customer service and technical contact details:

T: 01525 244900
F: 01525 850432
E: roofing@forticrete.com

Hardrow® Slates: England

Full loads

	STANDARD MAIN SLATE		MADE TO ORDER
	457 x 305mm (18" x 12")	457 x 457mm (18" x 18")	610 x 457mm (24" x 18")
Code	A001	B001	C001
Minimum pitch (Qty m²)	25° (17.2)	20° (12.3) 25° (11.5)	17.5° (9.07) 25° (8.2)
Weight per m² (kg)	83kg	83 - 88kg	87 - 96kg
Headlap	75mm	102 - 75mm	127 - 75mm
Ex-works per thousand (£) in all colours	1811	2716	3624

PRICES BELOW SHOW FULL LOAD DELIVERED RATES PER THOUSAND IN £

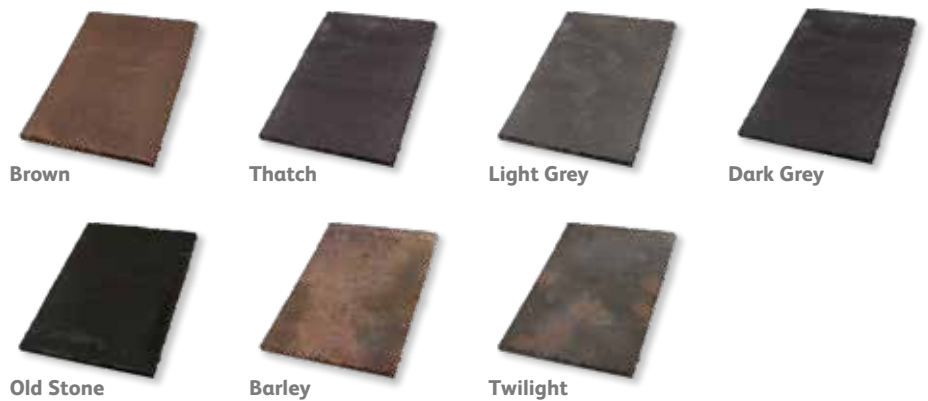
FULL LOADS			
Avon	2090	3141	4182
Bedfordshire	2129	3194	4075
Berkshire	2136	3208	4182
Buckinghamshire	2091	3141	4182
Cambridgeshire	2091	3141	4182
Cheshire	1998	3002	4104
Cleveland	2091	3141	4212
Cornwall	2144	3217	4288
Cumbria	2068	3102	4165
Derbyshire	1953	2931	3921
Devon	2144	3217	4288
Dorset	2091	3137	4212
Durham	2091	3141	4212
Essex	2144	3217	4182
Gloucestershire	2083	3217	4165
Hampshire	2175	3262	4212
Hereford and Worcester	2015	3024	4165
Hertfordshire	2106	3163	4136
Isle of Wight	2527	3791	5055
Kent	2206	3308	4411
Lancashire	1998	3002	4075
Leicestershire	1983	2980	3967
Lincolnshire	2068	3102	4212
London (G.L.C. Area)	2144	3217	4288
Greater Manchester	1998	3002	4075
Merseyside	1998	3002	4075
Midlands (West)	1968	2957	3937
Norfolk	2144	3217	4288
Northamptonshire	2060	3094	4043
Northumberland	2121	3186	4244
Nottinghamshire	1983	2980	3967
Oxfordshire	2038	3056	3998
Shropshire	1998	3002	3998
Somerset	2053	3079	4212
Staffordshire	1953	2934	3981
Suffolk	2159	3240	4259
Surrey	2159	3240	4320
Sussex	2221	3331	4320
Tyne and wear	2121	3186	4244
Warwickshire	1983	2980	3967
Wiltshire	2083	3125	4165
Yorkshire (South)	1998	3002	4060
Yorkshire (North and East)	2015	3024	4104
Yorkshire (West)	2038	3056	4075



Hardrow® Slates Duets®
Twilight at Orion Homes, Halifax, West Yorkshire

HARDROW STANDARD COLOURS:

*Other Hardrow® colours are made to order.



CO-ORDINATING SLATES
FOR USE WITH MAIN SLATES

PRODUCT	UNIT	PRICE (£) ALL COLOURS
Slate and Half	Each	+ 50% of main slate price
Eaves/Tops	Each	As main slate price
Half Slate 18" x 9" (457 x 230mm)*	Each	As main slate price



Hardrow® Slates Duets®
Barley on a Barn Conversion at Chesterton, Oxon

NOTES:

- For deliveries of smaller loads a surcharge will apply. For further information, please contact the sales office.
All prices quoted left are based on full loads only (see page 10). A charge of £18.50 will be applicable for split packs.
- Diminishing courses and random widths are priced as individual slates. For further advice call the sales office.
- 12" x 9", 13" x 9" and 15" x 9" slates and fittings are available for vertical tiling. These are charged at the 18" x 12" main slate rates.*
- Additional slates available:
15" x 18" – priced as 18" x 18";
21" x 18" – priced as 24" x 18".*
- 27" x 18" and 27" x 27" slates can be made to order. Priced upon request.
- Products made to order are non-returnable.*
- No collections are allowed without prior arrangement. (48 hours notice required).

Hardrow® Slates: Wales and Scotland

Full loads

	STANDARD MAIN SLATE		MADE TO ORDER
	457 x 305mm (18" x 12")	457 x 457mm (18" x 18")	610 x 457mm (24" x 18")
Code	A001	B001	C001
Minimum pitch (Qty m²)	25° (17.2)	20° (12.3) 25° (11.5)	17.5° (9.07) 25° (8.2)
Weight per m² (kg)	83kg	83 - 88kg	87 - 96kg
Headlap	75mm	75 - 102mm	75 - 127mm
Ex-works per thousand (£) in all colours	1811	2716	3624

PRICES BELOW SHOW FULL LOAD DELIVERED RATES PER THOUSAND IN £			
FULL LOADS			
WALES			
North Wales	1966	2980	4075
South Wales	2176	3263	4349
SCOTLAND			
Borders	2235	3354	4473
Central	2282	3422	4566
Dumfries and Galloway	2206	3308	4473
Fife	2320	3485	3279
Grampian	2405	3607	4809
Highland	2482	3721	4962
Lothian	2252	3377	4443
Strathclyde	2306	3461	4611
Tayside	2343	3515	4687

CO-ORDINATING SLATES FOR USE WITH MAIN SLATES		
PRODUCT	UNIT	PRICE (£) ALL COLOURS
Slate and Half	Each	+ 50% of main slate price
Eaves/Tops	Each	As main slate price
Half Slate 18" x 9" (457 x 230mm)*	Each	As main slate price



Hardrow®
Twilight and Cast Stone in Bath, David Wilson Homes, Moorbrook Mills, New Mill, Holmfirth



Hardrow® Slates Harmonies®
Symphony, Bridport Community Hospital – made to order

NOTES:

- For deliveries of smaller loads a surcharge will apply. For further information, please contact the sales office.

All prices quoted right are based on full loads only (see page 10). A charge of £18.50 will be applicable for split packs.
- Diminishing courses and random widths are priced as individual slates. For further advice call the sales office.
- 12" x 9", 13" x 9" and 15" x 9" slates and fittings are available for vertical tiling. These are charged at the 18" x 12" main slate rates.*
- Additional slates available: 15" x 18" – priced as 18" x 18"; 21" x 18" – priced as 24" x 18".
- 27" x 18" and 27" x 27" slates can be made to order. Priced upon request.
- Products made to order are non-returnable.*
- No collections are allowed without prior arrangement. (48 hours notice required).

RIDGES ALL COLOURS			
PRODUCT	CODE	UNIT	PRICE (£)
Ridge (900mm)	RO	Each	25.02
Block End Ridge (900mm) (for verge)*	RB	Each	34.81
Stop End Ridge (900mm) (for hips)*	RE	Each	34.81

NOTES:

Made to order products will be charged once manufactured and are non-returnable. *Made to order.

HARDROW® RIDGE ANGLE SELECTION			
ROOF PITCH	RIDGE ANGLE WHEN MORTAR BEDDING	RIDGE ANGLE WHEN DRY FIXED	DRY FIXED RIDGE PACKS
17.5 to 20°	140°	105°	✓
20.5 to 35°	120°	90°	✓
35.5 to 40°	105°	70°	✓
40.5 to 45°	90°	Standard HR Ridge with Nail Holes	✓
45.5 to 55°	70°	Standard HR Ridge with Nail Holes	✓

Note: Hardrow ridge for use with Dry Ridge Systems should be ordered with nail holes.

RIDGE VENTILATION ALL COLOURS			
PRODUCT	CODE	UNIT	PRICE (£)
Vented Ridge Pack (5,000 mm ² /m) 6 metre packs	DT	Pack	76.15
Vented Abutment Pack (300mm Cover Width) (5,000 mm ² /m) 3 metre packs	A3	Pack	64.18
Air Vent Ridge (free vent area 12,500mm ²) (without r-type adaptor)*	-	Each	110.96
Soil Vent Ridge (free vent area 7,850mm ²) (inc. r-type adaptor and flexi pipe)*	-	Each	131.63

HIP TABLE MORTAR BEDDED					
SUGGESTED PITCH RANGE	17.5°-22.5°	23°-35°	35.5°-42.5°	43°-50°	51°-60°
Ridge Angle (at 90° on plan)	140°	140°	120°	105°	90°

Note: Available with or without nail holes (nailing into hip rafter structure).



Hardrow® Slatos Solos™
Old Stone at North Nibley, Gloucestershire



Hardrow®
Overture (Harmonies Range), new housing in Derbyshire



Hardrow®
Barley Dim Course at Taylor Wimpey Stamford Manor, Stamford, Lincolnshire

HIPS SLATES MADE TO ORDER*			
PRODUCT	CODE	UNIT	PRICE (£)
Standard 18" (457mm)	H0	Each	11.20
Non-Standard (Splay or Unequal pitch) 18" (457mm)	H001	Each	17.84
Standard 24" (610mm)	H0	Each	23.93
Non-Standard (Splay or Unequal pitch) 24" (610mm)	H002	Each	31.55
Ridge (900mm for use on hips)	RO	Each	25.02

Note: Splay hips are not suitable for use below 25°.

VALLEY SLATES MADE TO ORDER*			
PRODUCT	CODE	UNIT	PRICE (£)
Standard 18" (457mm)	V0	Each	11.20
Non-Standard (Splay or Unequal pitch) 18" (457mm)	V006	Each	17.84
Standard 24" (610mm)	V0	Each	23.93
Non-Standard (Splay or Unequal pitch) 24" (610mm)	V007	Each	31.55

Note: Valleys are not suitable for use below 25°.

CLIPS			
PRODUCT	CODE	UNIT	PRICE (£)
Verge clips	53	Pack of 50	45.69
Top Slate Clip	TCS1	Pair	1.63

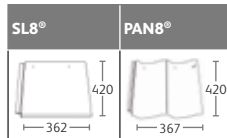
VENT SLATE PRODUCTS ALL COLOURS*				
PRODUCT		CODE	UNIT	PRICE (£)
Air Vent Slate (4,426 mm ²) Concrete (includes pre-cut slates)	18" x 12" (457x305mm)	P001	Each	93.55
	18" x 18" (457x457mm)	P002		96.82
	24" x 18" (610x457mm)	P003		100.08
Soil Vent Slate Kit (4,426 mm ²) Concrete (includes pre-cut slates) includes flexi pipe'	18" x 12" (457x305mm)	P005	Each	138.15
	18" x 18" (457x457mm)	P006		155.56
	24" x 18" (610x457mm)	P007		158.82
Lo-Vent slate (air) kit (4,426 mm ²) (excludes pre-cut slates)	18" x 12" (457x305mm)	AV12	Each	28.61
Lo-Vent slate (soil) kit (4,426 mm ²) (excludes pre-cut slates) includes the flexi pipe'	18" x 12" (457x305mm)	SV12	Each	36.26

NOTES:

Made to order products will be charged once manufactured and are non-returnable.

*Made to order.

SL8® and PAN8®



	SL8®	PAN8®
Profile/code	SL08	PAN8
Minimum pitch (Qty m²)	25° (8.6)	25° (8.3)
Weight per m² (kg)	46.6	40.5
Min. headlap	75mm	75mm
Collections per thousand (£)	1154	1154

PRICES BELOW SHOW FULL LOAD DELIVERED RATES PER THOUSAND IN £

FULL LOADS		
Avon	1231	1231
Bedfordshire	1231	1231
Berkshire	1223	1223
Buckinghamshire	1231	1231
Cambridgeshire	1223	1223
Cheshire	1261	1261
Cleveland	1261	1261
Cornwall	1292	1292
Cumbria	1395	1395
Derbyshire	1231	1231
Devon	1277	1277
Dorset	1246	1246
Durham	1261	1261
Essex	1231	1231
Gloucestershire	1231	1231
Hampshire	1231	1231
Hereford and Worcester	1231	1231
Hertfordshire	1223	1223
Isle of Wight	1336	1336
Kent	1246	1246
Lancashire	1261	1261
Leicestershire	1223	1223
Lincolnshire	1246	1246
London (G.L.C. Area)	1231	1231
Greater Manchester	1261	1261
Merseyside	1261	1261
Midlands (West)	1231	1231
Norfolk	1231	1231
Northamptonshire	1216	1216
Northumberland	1277	1277
Nottinghamshire	1231	1231
Oxfordshire	1223	1223
Shropshire	1246	1246
Somerset	1246	1246
Staffordshire	1238	1238
Suffolk	1261	1261
Surrey	1231	1231
Sussex	1277	1277
Tyne and wear	1261	1261
Warwickshire	1231	1231
Wiltshire	1246	1246
Yorkshire (South)	1246	1246
Yorkshire (North and East)	1261	1261
Yorkshire (West)	1261	1261
WALES		
Flintshire, Denbighshire and Conwy	1261	1261
Dyfed	1292	1292
Glamorgans	1261	1261
Gwent	1261	1261
Gwynedd	1277	1277
Powys	1261	1261
SCOTLAND		
Borders	1411	1411
Central	1442	1442
Dumfries and Galloway	1411	1411
Fife	1456	1456
Grampian	1516	1516
Highland	1524	1524
Lothian	1442	1442
Strathclyde	1442	1442
Tayside	1479	1479



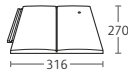
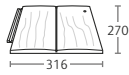
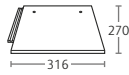



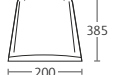
SL8®
Grey at Matthew Homes, Luton, Bedfordshire

SL8® FITTINGS			
PRODUCT	CODE	UNIT	PRICE (£)
Air Vent Kit SL8	SLIV	Each	71.45
Soil Vent Kit SL8	SLSV	Each	93.78
Verge Starter/Ridge Pk SL8	SLVS	Pack	13.63
Verge Pk LH SL8	SLVL	Pack	36.96
Verge Pk RH SL8	SLVR	Pack	36.96
Vented Ridge Pk (6m) SL8/Gemini/Minislate	GMT5	Pack	76.15
Vented HR Monoridge Pk (6m) Flat Tile	G6M5	Pack	76.15
Hip Pack (6m) SL8/Gemini/Minislate	DH66	Pack	76.15
Perimeter Clips (Pk 50) GM/MS/SL8/PAN8	VC53	Pack	45.69
Tile Clip (Pk 100) SL8	S852	Pack	14.14

PAN8® FITTINGS			
PRODUCT	CODE	UNIT	PRICE (£)
Air Vent Kit PAN8	P8IV	Each	71.45
Soil Vent Kit PAN8	P8SV	Each	93.78
Vented Ridge Pk (6m) PAN8	P8T5	Pack	76.15
Vented HR Monoridge Pk (6m) PAN8	P8M5	Pack	76.15
Hip Pack (6m) PAN8/ V2/Centurion	P8DH	Pack	76.15
Perimeter Clips (Pk 50) GM/MS/SL8/ PAN8	VC53	Pack	45.69
Tile Clips (Pk 100) PAN8	P852	Pack	14.14

Standard range

Full loads

	GEMINI®	GEMINI® TRADITIONAL SANDFACED	MINISLATE®	V2®	CENTURION®	SENATOR®	CONCRETE PLAIN TILE	
								
Profile/code	G501	G501	M551	V201 Smooth	V251 Granular	CE01	SE01	P501 Smooth
Minimum pitch (Qty m²)	22.5° (16.6) 30° (16.3)	30° (16.3)	22.5° (16.6) 30° (16.3)	17.5° (16.1)	25° (16.1)	10° (17.5)	22.5° (16.1)	35° (60)
Weight per m² (kg)	45	45	45	47	47	50	46	75
Min. headlap	75mm	80mm	75mm	75mm	75mm	100mm	75mm	65mm
Collections per thousand (£)	1019	1099	1010	664	707	1186	664	412

PRICES BELOW SHOW FULL LOAD DELIVERED RATES PER THOUSAND IN £

FULL LOADS

Avon	1108	1218	1108	757	804	1297	720	460
Bedfordshire	1108	1218	1108	726	772	1258	692	453
Berkshire	1100	1211	1100	734	780	1272	699	453
Buckinghamshire	1108	1218	1108	726	772	1297	692	453
Cambridgeshire	1100	1211	1100	734	780	1272	699	453
Cheshire	1140	1249	1140	772	820	1312	736	468
Cleveland	1140	1249	1140	804	852	871	766	478
Cornwall	1172	1279	1172	820	859	1343	780	484
Cumbria	1280	1382	1280	820	859	1343	780	484
Derbyshire	1108	1218	1108	757	804	1297	720	460
Devon	1155	1264	1154	820	866	1343	780	478
Dorset	1124	1234	1124	766	812	1297	729	468
Durham	1140	1249	1140	788	834	1320	751	478
Essex	1108	1218	1108	742	788	1272	706	453
Gloucestershire	1108	1218	1108	757	804	1297	720	460
Hampshire	1108	1218	1108	757	804	1297	720	460
Hereford and Worcester	1108	1218	1108	750	797	1280	714	460
Hertfordshire	1100	1211	1100	734	780	1265	699	453
Isle of Wight	1217	1323	1217	866	914	1382	825	546
Kent	1124	1234	1124	757	804	1297	720	460
Lancashire	1140	1249	1140	772	820	1312	736	468
Leicestershire	1100	1211	1100	788	834	1272	751	453
Lincolnshire	1124	1234	1124	757	804	1297	720	460
London (G.L.C. Area)	1108	1218	1108	742	788	1272	706	453
Greater Manchester	1140	1249	1140	772	820	1312	736	468
Merseyside	1140	1249	1140	772	820	1312	736	468
Midlands (West)	1108	1218	1108	750	797	1280	714	460
Norfolk	1108	1218	1108	788	834	1343	751	460
Northamptonshire	1093	1204	1092	734	780	1258	699	453
Northumberland	1155	1264	1154	820	866	1343	780	478
Nottinghamshire	1108	1218	1108	757	804	1297	720	460
Oxfordshire	1100	1211	1100	734	780	1272	699	453
Shropshire	1124	1234	1124	757	804	1297	720	460
Somerset	1124	1234	1124	766	812	1297	729	468
Staffordshire	1116	1226	1117	757	804	1320	720	460
Suffolk	1140	1249	1140	766	812	1272	729	478
Surrey	1108	1218	1108	742	788	1328	706	453
Sussex	1155	1264	1154	772	820	1320	736	478
Tyne and wear	1140	1249	1140	788	698	1272	751	478
Warwickshire	1108	1218	1108	742	788	1297	706	453
Wiltshire	1124	1234	1124	757	804	1297	720	460
Yorkshire (South)	1124	1234	1124	757	804	1297	720	460
Yorkshire (North and East)	1140	1249	1140	780	828	1312	743	478
Yorkshire (West)	1140	1249	1140	772	820	1312	736	468

WALES

Flintshire, Denbighshire, Conwy	1140	1249	1140	788	834	1320	751	478
Dyfed	1172	1279	1172	820	866	1343	780	484
Glamorgans	1140	1249	1140	788	834	1320	751	478
Gwent	1140	1249	1140	772	820	1312	736	468
Gwynedd	1155	1264	1154	820	866	1343	780	478
Powys	1140	1249	1140	772	820	1312	736	468

SCOTLAND

Borders	1296	1397	1297	820	866	1343	780	484
Central	1327	1427	1326	882	928	1389	840	499
Dumfries and Galloway	1296	1397	1297	820	866	1343	780	484
Fife	1342	1441	1343	882	928	1389	840	499
Grampian	1405	1501	1405	938	983	1452	892	532
Highland	1413	1509	1412	959	1006	1467	915	532
Lothian	1327	1427	1326	859	906	1374	818	492
Strathclyde	1327	1427	1326	859	906	1374	818	492
Tayside	1366	1464	1366	897	945	1338	855	544

Standard range

Product specific tile fittings

GEMINI® FITTINGS			
PRODUCT	CODE	UNIT	PRICE (£)
LH 3/4 Tile Gemini	G5L3	Each	1.41
RH 3/4 Tile Gemini	G5R3	Each	1.41
Tile and Half Gemini	G508	Each	4.35
Air Vent Kit Gemini/Minislate	MSIV	Each	67.45
Soil Vent Kit Gemini/Minislate	MSIS	Each	90.29
Verge Pk LH Gemini/Minislate	G6VL	Pack	39.16
Verge Pk RH Gemini/Minislate	G6VR	Pack	39.16
Bonnet Hip (small) Gemini	G513	Each	4.57
Bonnet Hip Block End Gemini	G524	Each	11.42
FastFix Dry Hip Tape 10m Universal	FF02	Each	97.90
Verge Clip (Pk 50) GM/MS/CE/SEN	53	Pack	45.69
Tile Clip (Pk 100) Gemini/Minislate	G552	Pack	14.14

GEMINI® TRADITIONAL SANDFACED FITTINGS			
PRODUCT	CODE	UNIT	PRICE (£)
LH 3/4 Tile Gemini	G5L3	Each	1.41
RH 3/4 Tile Gemini	G5R3	Each	1.41
Tile and Half Gemini	G508	Each	4.35
Air Vent Kit Gemini/Minislate	MSIV	Each	67.45
Soil Vent Kit Gemini/Minislate	MSIS	Each	90.29
Verge Pk LH Gemini/Minislate	G6VL	Pack	39.16
Verge Pk RH Gemini/Minislate	G6VR	Pack	39.16
Bonnet Hip (small) Gemini	G513	Each	4.57
Bonnet Hip Block End Gemini	G524	Each	11.42
FastFix Dry Hip Tape 10m Universal	FF02	Each	97.90
Verge Clip (Pk 50) GM/MS/CE/SEN	53	Pack	45.69
Tile Clip (Pk 100) Gemini/Minislate	G552	Pack	14.14

MINISLATE® FITTINGS			
PRODUCT	CODE	UNIT	PRICE (£)
Tile and Half Minislate	M5S8	Each	4.35
Verge Pk LH Gemini/Minislate	G6VL	Pack	39.16
Verge Pk RH Gemini/Minislate	G6VR	Pack	39.16
Verge Clip (Pk 50) GM/MS/CE/SEN	53	Pack	45.69
Tile Clip (Pk 100) Gemini/Minislate	G552	Pack	14.14
Air Vent Kit Gemini/Minislate	MSIV	Each	67.45
Soil Vent Kit Gemini/Minislate	MSIS	Each	90.29

CENTURION® FITTINGS			
PRODUCT	CODE	UNIT	PRICE (£)
Air Vent Kit Centurion	CE25	Each	67.45
Soil Vent Kit Centurion	CE24	Each	90.29
Tile Clip (Pk 100) Centurion Mono Colour	CS52	Pack	14.14
Verge Clip (Pk 50) GM/MS/CE/SEN	0053	Pack	45.69
Eave Pk 3m Centurion Low Pitch	CE50	Pack	35.90
Double Tile Centurion*	CE27	Each	10.88
Dentil Slip/Tile Piece*	PT21	Each	0.82

Centurion LPS low pitched window system (price on application)

SENATOR® FITTINGS			
PRODUCT	CODE	UNIT	PRICE (£)
Air Vent Kit Centurion	CE25	Each	67.45
Soil Vent Kit Centurion	CE24	Each	90.29
Double Tile Senator*	SE27	Each	10.88
Dentil Slip/ Tile Piece*	PT21	Each	0.82

CLIPS FOR ALL PRODUCTS

PRODUCT	CODE	UNIT	PRICE (£)
Verge Clip (Pk 50) GM/MS/CE/SEN	0053	Pack	45.69
Tile Clip (Pk 100) Gemini Tile Clip (Pk 100) Centurion Mono Colour	G552/CS52	Pack	14.14
Perimeter Clips (Pk 50) GM/MS/SL8/ PAN8	VC53	Pack	45.69

CONCRETE PLAIN TILE FITTINGS

PRODUCT	CODE	UNIT	PRICE (£)
Top and Eaves Tile Plain Tile	P506	Each	Same price as main slate
Tile and Half Plain Tile	P507	Each	Plus 100% of main tile price
90 Degree LH Ext Angle	PT11	Each	5.98
90 Degree RH Ext Angle	PT12	Each	5.98
Bonnet Hip Plain Tile	PT13	Each	5.98
Beavertail Plain Tile*	BT01	Each	Plus 100% of main tile price
135 Degree LH Ext Angle	PT31	Each	5.98
135 Degree RH Ext Angle	PT32	Each	5.98

NOTES:

1. For deliveries of smaller loads a surcharge will apply. For further information, please contact the sales office.
2. No collections are allowed without prior arrangement. (48 hours notice required).

*All products made to order are non-returnable.

Standard range

Standard tile fittings

RIDGES ALL COLOURS			
PRODUCT	CODE	UNIT	PRICE (£)
HALF ROUND RIDGE			
Ridge Half Round*	0516	Each	4.62
Ridge Half Round Nailhole	D516	Each	4.62
Ridge Half Round Block End	D524	Each	11.42
Ridge Half Round Baby*	0020	Each	4.62
MONORIDGE			
Ridge Half Round Mono	0300	Each	11.42
Ridge HR Mono Block End LH	0324	Each	16.86
Ridge HR Mono Block End RH	0325	Each	16.86
ANGLE RIDGE			
Ridge Universal Angle*	U516	Each	4.62
Ridge Universal Angle Nailhole	UD16	Each	4.62
Ridge Uni Angle Block End	U524	Each	11.42
THIRD ROUND HIP			
Hip Third Round*	0566	Each	4.62
Hip Third Round Nailhole	D566	Each	4.62
Hip Third Round Block End	D526	Each	11.42
UNIVERSAL ANGLE HIP			
Hip Universal Angle*	U566	Each	4.62
Hip Universal Angle Nailhole	UD66	Each	4.62
Hip Uni Angle Hip Block End	U526	Each	11.42
RIDGE VENTILATION			
Ridge Half Round Air Vent	05IV	Each	94.64
Ridge Half Round Soil Vent	05IS	Each	107.70
GAS VENTILATION (NOT SUITABLE FOR HARDROW RIDGE)			
Ridge Half Round Gas Vent Kit	0518	Each	156.65

NOTES:

All ridges are 450mm.

*These items are not suitable for the dry ridge system.

ORNAMENTAL RIDGES (ALL MADE TO ORDER)*			
PRODUCT	CODE	UNIT	PRICE (£)
Scroll Finial (N/H)*	HR30	Each	150.12
Scroll Finial Block End*	HR29	Each	164.26
Ball Top Finial (N/H)*	HR31	Each	172.96
Ball Top Finial Block End*	HR32	Each	187.11

NOTE:

All ridges are 450mm.



Senator®
Red on Arcliffe Homes in Scholes



Gemini®
Traditional Sandfaced Ember Blend on Mark Hughes Development, Loughborough, Leicester



Customer service and technical contact details:

T: 01525 244900

F: 01525 850432

E: roofing@forticrete.com

Dry fix and ventilation products

STANDARD DRY FIX PACKS FITTINGS AND ACCESSORIES			
PRODUCT	CODE	UNIT	PRICE (£)
DRY HIP (NOTE: THESE ARE FOR GEMINI AND MINISLATE ONLY)			
Hip Pack (6m) SL8/Gemini/Minislate	DH66	Pack	78.32
M/Hip Soaker 22.5°-45° Pk Gemini Mono Colour †	MHP1	Pack	57.65
M/Hip Soakers 46°-70° Pk Gemini Mono Colour †	MHP2	Pack	57.65
M/Hip (Splay) Soaker Pk (x10) Gemini Mono Colour	MHSP	Pack	57.65
HIPS AND VALLEYS*			
Perimeter Clip (Pk 50) GM/MS/SL8/PAN8	VC53	Pack	45.69

VENTED RIDGE PACKS MAXIMUM PITCH RANGE			
TILE TYPE	MAX PITCH	CODE	PRICE (£)
Gemini and Minislate	55°	GMT5	76.15
Centurion	45°	CST5	76.15
Senator	45°	CST5	76.15
V2	35°	V2T5	76.15
Plain Tiles	55°	GMT5	76.15

DRY RIDGE PACKS FOR CENTURION®, SENATOR® & V2® (AVAILABLE IN GREY AND RUSTIC)			
PRODUCT	CODE	UNIT	PRICE (£)
Vented Ridge Pack (3m) (5,000mm ² /m)	T5	Pack	76.15
Note: The above packs contain enough components to fix 3m of Ridge with rafters at 600mm centres.			
Vented HR Monoridge Pk (3m) Centurion	C6M5	Pack	76.15
Centurion Top Edge Abutment Pack	A3	Pack	65.27

DRY RIDGE PACKS FOR GEMINI AND MINISLATE† (AVAILABLE IN GREY AND RUSTIC)			
PRODUCT	CODE	UNIT	PRICE (£)
Vented Ridge Pk (6m) SL8/Gemini/Minislate	GMT5	Pack	76.15
Note: The above packs contain enough components to fix 6m of Ridge with rafters at 600mm centres.			
Vented HR Monoridge Pk (6m) Flat Tile	G6M5	Pack	76.15

VENTILATION FITTINGS AND ACCESSORIES			
PRODUCT	CODE	UNIT	PRICE (£)
EAVES PACK BASED ON RAFTERS AT 600MM CENTRES			
Eave Vent Starter Pk (6m) Universal	USE5	Pack	36.99
Eave Vent Extn Pk (6m) Universal	USE7	Pack	32.63
Eaves Comb Pk (9 Units) Eave	UN60	Pack	21.76
ABUTMENT*			
Vented Abutment (5,000 mm ² /m)			
Centurion®, Senator®, V2®. Components to fix 3m of abutment with rafters at 600mm centres	A3	Pack	64.18
Vented Abutment (5,000 mm ² /m)			
Gemini®, Minislate®, Plain Tile Components to fix 3m of abutment with rafters at 600mm centres	A3	Pack	64.18

*Items only sold in packs. When ordering please specify tile profile.

NOTES:

*All products made to order are non-returnable.

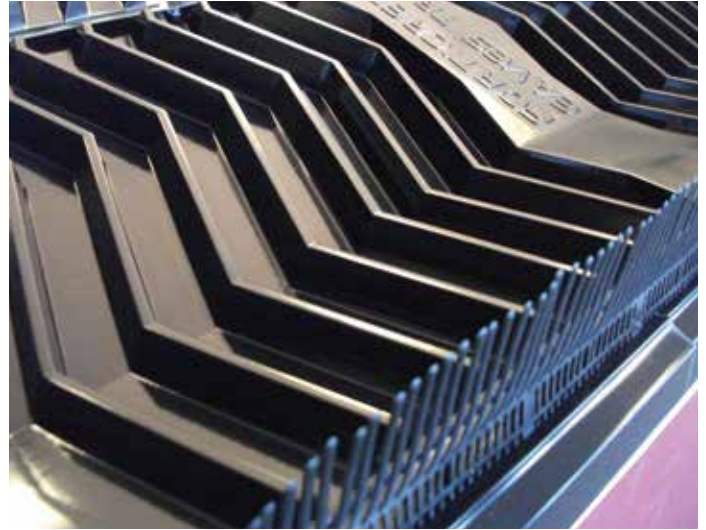
† For pitches up to 45°. Mitred hip soakers for a 90° hip on plan.

All Soil Vent Kits include fittings required and the flexi pipe.

‡ Please specify tile profile when ordering.



Dry fixed vented ridge pack (trussed rafter)



Eaves ventilation packs

PACKAGING AND TRANSPORT

MAIN PROFILES	QUANTITY PER PALLET	PALLET WEIGHT TONNES	ARTIC FLAT 27 TONNES		ARTIC CRANE 26 TONNES		DRAWBAR 26 TONNES	
			PALLET	QUANTITY	PALLET	QUANTITY	PALLET	QUANTITY
SL8®	216	1.17	20	4320	18	3888	18	3888
PAN8®	240	1.15	20	4800	18	4320	18	4320
Centurion®/Senator®	378	1.11	24	9072	23	8694	23	8694
Gemini®	336	0.95	28	9408	27	9072	27	9072
Minislate®	336	0.95	28	9408	27	9072	27	9072
Concrete plain tile	720	0.92	29	20880	28	20160	28	20160
V2®	378	1.11	24	9072	22	8316	22	8316
Hardrow® 18" x 12"	200	0.97	28	5600	26	5200	26	5200
Hardrow® 18" x 18"	100	0.73	37	3700	35	3500	35	3500
Hardrow® 13" x 12" (Eaves and Tops)	160	0.56	-	-	-	-	-	-
Hardrow® 12" x 18" (Eaves and Tops)	200	0.97	-	-	-	-	-	-
Hardrow® 24" x 18"	90	0.965	28	2520	26	2340	26	2340

PACK QUANTITIES

TILE / FITTING	PER PALLET	PER PACK / BAND
SL8®	216	36
PAN8®	240	40
Gemini®/Minislate®	336	7
V2®/Centurion®/Senator®	378	6
Concrete Plain Tile	720	10
Gemini® Three Quarter Tiles	288	6
Gemini®/Minislate® Tile and Half	100	4
Concrete Plain Tile – Tile and Half	480	10
Concrete Plain Tile Eaves/Tops	960	8
Half Round Ridge	80	-
Third Round Hip	80	-
Baby Ridge – Angle	140	-
Baby Ridge – Half Round	140	-
Universal Angle Ridge	68	-
Universal Angle Hip Ridge	80	-
Gemini® – Bonnet Hip	100	-

NOTES:

- Prices quoted in this price list for main tiles are applicable to full lorry loads only. Quantities in respect of part loads will incur a part load surcharge.
- A surcharge of £18.50 will apply to orders less than full pallets of main tiles.
- All prices quoted are net.
- It is the responsibility of the Customer to notify Forticrete Roofing Products as to any restrictions regarding access to site for delivery and off loading.
- Sales to account holders only (no cash sales).
- Manufactured made to order products are non-returnable and will not be eligible for credit.
- Lead times, from receipt of order may vary from product to product and availability should be confirmed when placing your order.
- Details of Forticrete Roofing Products' Pallet Return Policy are available on request.
- Forticrete Roofing Products reserve the right to alter or amend this price list at any time without notice.
- Full details of terms and conditions of sale are available on request and printed in full on the reverse of your Confirmation of Order.
- Telephone calls may be recorded and monitored for training purposes.
- No collections are allowed without prior arrangement. (48 hours notice required)
- In cases where unloading of vehicles is delayed on site, for any reason, an extra charge may be incurred by the Purchaser.
- Due to natural weathering process the colour of roof tiles will change over a period of time. This is a natural process which is beyond our control and therefore is not covered by our product guarantees. However all of our roof tiles are covered by a Product Integrity Guarantees for our interlocking tiles - 60 years and for Hardrow® Slates - 40 years. Product integrity guarantees are available upon request and become effective from the date of supply subject to the companies normal terms and conditions.
- Forticrete recommend that fixers of all slates and tiles regard the products as fragile as stated in BS8000. Tiles should be fitted in accordance with the current version of BS5534 at the time of installation. During installation of the products, the correct setting out and working procedures should be employed to avoid walking directly on to products which have been fixed or are on any completed area of a roof. Should it be necessary to gain access via the roof where battens of adequate strength cannot be used as footholds, this should not be attempted without the use of adequate protection to the tiles or slates including the required number of crawling boards, ladders and cat ladders. Please note that where there is a change of pitch, packing may be required between crawling boards, cat ladders and the surface of the tiles or slates to avoid damage to the product. Fixers should note that Forticrete do not recommend the practice of cutting tiles or slates in-situ. Other information can be obtained from the Health and Safety in Roofwork publication HSG33 and document IND G284. Reference should also be made to the Forticrete Technical Literature and Fixing Instructions.
- Roof tiles and slates may become scuffed during transportation or installation. This does not affect the performance of the products.
- If you would like to obtain site and house specific fixing specifications, please visit www.myforticreteroof.co.uk

Complementary products for walling, detailing and masonry



Anstone®
Brown Old Weathered Pitched and Cast Stone dressings at Whitehouse Loan, Edinburgh

ANSTONE® AND SHEARSTONE® WALLING STONE

Forticrete Walling Stone has a history that cannot be replicated by any manufacturer in the UK, having provided a cost-effective, readily available alternative to natural stone since 1926. Today, it provides a unique, single-source solution to recreating the tradition of Britain's most enduring architectural heritage.

T: 01909 775000
F: 01909 775043
E: walling@forticrete.com



Cast Stone dressings on Alpha Homes, Kibworth Beauchamp

CAST STONE DRESSINGS

To complement the Walling Stone products, Forticrete create a broad range of Standard Cast Stone Dressings in a variety of profiles and these are available either ex-stock, as Stone In Stock™ or cast from standard moulds, to shorten lead times. Forticrete also have the capability to create purpose-made dressings to precise specifications and these options are detailed in separate literature, which is available on request from the sales office.

T: 01909 775000
F: 01909 773549
E: caststone@forticrete.com



Arsenals Emirates Stadium, Islington, Greater London

MASONRY

Forticrete supplies a broad range of economical Standard Masonry Products and purpose-designed foundation blocks to local markets and further afield. With Forticrete, you can be assured of quality borne out by our commitment to work in accordance with BS EN 9001:2000, the international standard for quality based on third-party assessment.

All our manufacturing plants have achieved certification to ISO 14001 – the international environmental management standard.

T: 01429 838001
F: 01429 836206
E: masonry@forticrete.com

PRODUCT SAMPLES

The colours reproduced within this brochure are as accurate as the photographic and printing processes will allow. Where colour matching is critical, you are advised to view actual product samples.

These are readily available by calling **01525 244900** or the sample request area of our website – **www.forticrete.co.uk**

For larger projects, sample panels can be provided.

Information on the complete range of Forticrete products can be found on our website at **www.forticrete.co.uk**

The information contained within this publication is as accurate as possible at the time of going to press. However, this document does not form part of any contract and Forticrete cannot accept liability for any errors or omissions.

Forticrete operates a policy of continuous product development and therefore reserves the right to alter specifications without notice.



HEAD OFFICE

Forticrete, Boss Avenue, Leighton Buzzard, Bedfordshire LU7 4SD
T: 01525 244900
E: info@forticrete.com
www.forticrete.co.uk



Forticrete

Forticrete is an Istock Plc company.

