

COMPONENTS REQUIRED:



SQUARE SHINGLES OR ROUND SHINGLES



FELT UNDERLAY



BITUMEN MASTIC



GALVANISED NAILS

TOOLS REQUIRED:



CLAW HAMMER



CRAFT KNIFE



LADDERS



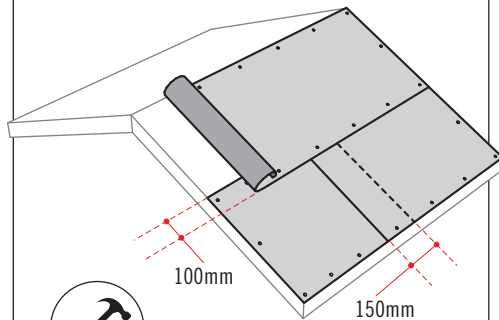
TAPE MEASURE



STRAIGHT EDGE

1 Install the felt underlay

Prior to installing the new underlay, remove any old roofing material and dispose of it safely. Check that the roof decking is both clean, in good condition and free of any old, protruding nail heads. Any sections that show signs of rot or worm infestation should be replaced.

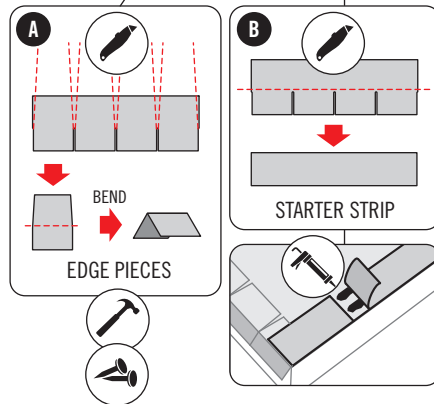
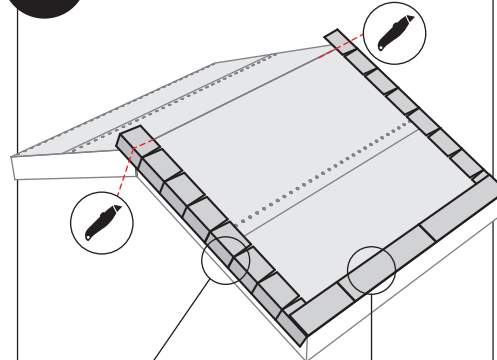


Starting at the bottom of the roof (eaves) and working towards the ridge, install the underlay in horizontal strips with 100mm overlaps. End laps should have an overlap of not less than 150mm.

Secure the underlay using sufficient galvanised clout nails to hold it in place, ensuring that the underlay is as flat as possible. The nails used to install the shingles will further secure the underlay.

Repeat on the opposite face of the roof.

2 Install the shingle edges

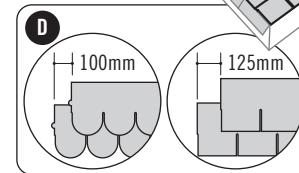
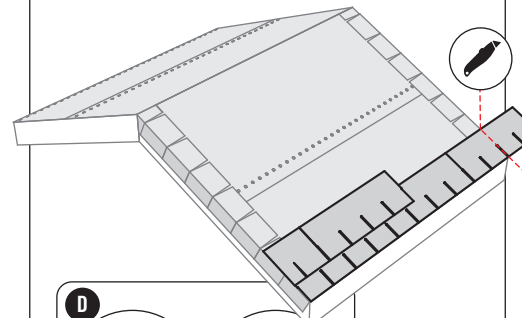
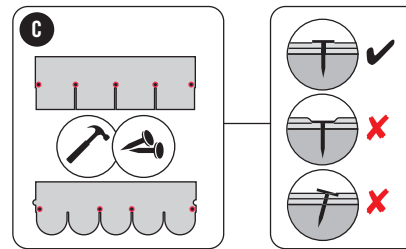


Starting at the gable ends, make edge pieces by cutting shingle strips into sections as shown at A. Bend each section over the edge and fix with galvanised nails.

Make starter strips by cutting shingle strips as shown at B. Lay the starter strips in a single row along the bottom edge of the roof and fix with bitumen mastic.

Repeat on the opposite face of the roof.

3 Install the shingles

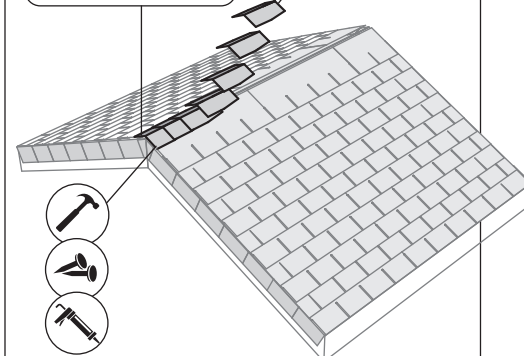
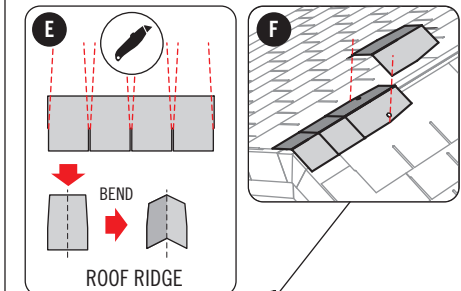


Starting at the bottom of the roof and working towards the ridge, install the bottom row of shingle strips, fastening each with galvanised clout nails positioned as shown at C above.

Lay the second row, overlapping the one below to hide the nail heads. Stagger the second row (and subsequent rows) as shown at D above.

Continue adding rows of shingle strips until you reach the roof ridge. Repeat on the opposite face of the roof.

4 Install the roof ridge



Make ridge shingles by cutting shingle strips into sections as shown at E.

Carefully bend each roof shingle over the centre line of the ridge and once in position, nail in place on both sides of the slope. Ensure that the nails are located so as to be covered by the overlap of the next ridge shingle (F).

The leading edge of each roof shingle should be secured using bitumen lap mastic.

The ridge shingles should be lapped away from the prevailing wind direction.