

**KARNAK**  
**ELASTO-KOTE®**



# ***ELASTO-KOTE RANGE***

**COLD APPLIED ELASTOMERIC LIQUID SYSTEM**



# FLAT & PITCHED ROOFS



## **KARNAK** ELASTO-KOTE®

Elasto-Kote is an SEBS thermoplastic waterproofing system designed specifically for application onto pitched roofs and ideal for metal, coated metal, concrete and asbestos surfaces. Built-in Rust Inhibitor and FM approved, Elasto-Kote offers an exceptionally high-performing elastomeric waterproofing system, it is up to 85% solar reflective and has 650% elongation.

Our product is a single component self-priming SEBS elastomeric thermoplastic which is applied in 2/3 coats and comes with a 10 year product guarantee as standard (extended guarantees available).

Elasto-Kote is a highly elastic waterproof roofing system specifically designed for waterproofing pitched metal, coated metal, concrete and asbestos roofs (also compatible with spray foam insulation).

This system is resistant to ponding, making it suitable for the entire roof structure, including drainage. The product can be applied above 5°C, cures within 4 hours and is typically shower proof in 30 minutes. Suitable for applications using brush, roller or with the use of an airless sprayer, the application of Elasto-Kote is both fast and simple.

Suitable for application on to: metal, plastisol, fibre cement, asbestos encapsulation and expanded foam.

Elasto-Kote can be spray applied using an airless sprayer making it ideal for rapid application to corrugated surfaces, offering 10, 15 and 20 year guarantees. A 2/3 coat application, leaving a highly reflective white or portland grey finish and offering a full waterproofing solution extending the roof life expectancy.

### **METAL PROFILE ROOFS**

Metal profile roofs, if not maintained, rapidly become vulnerable to accelerated deterioration through weathering, resulting in delamination of surface coating and rust. Elasto-Kote has a built in primer and rust inhibitor formulation.

The system also comes with detailing materials and reinforcement tape allowing complete roof renovation and restoring the roofs waterproofing structure, giving the appearance of a brand new roof.

### **FLAT ROOF APPLICATIONS**

Elasto-Kote is resistant to ponding water, making it ideal for overcoating existing flat surfaces. Suitable surfaces include single ply and EPDM sheet roofing. Please contact our technical team for specific application specifications and to check project suitability.



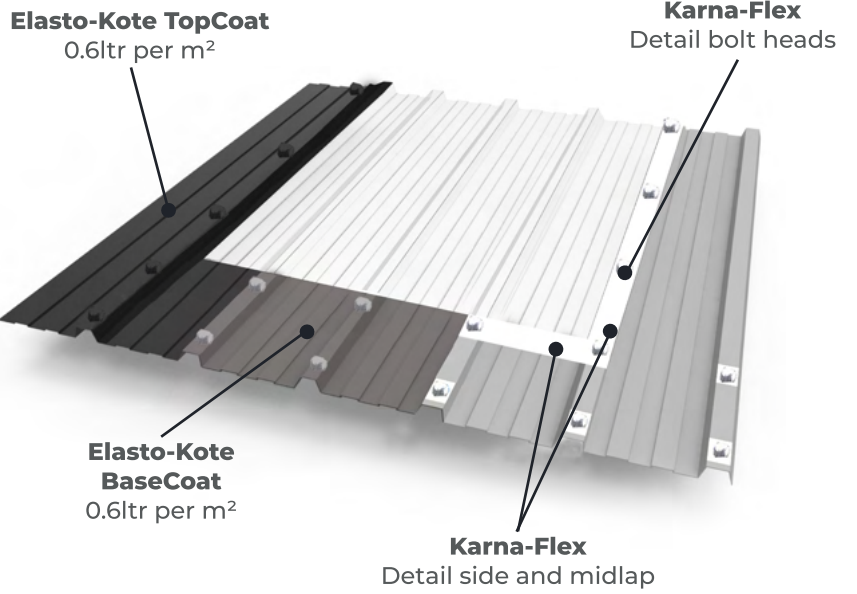


# METAL APPLICATION



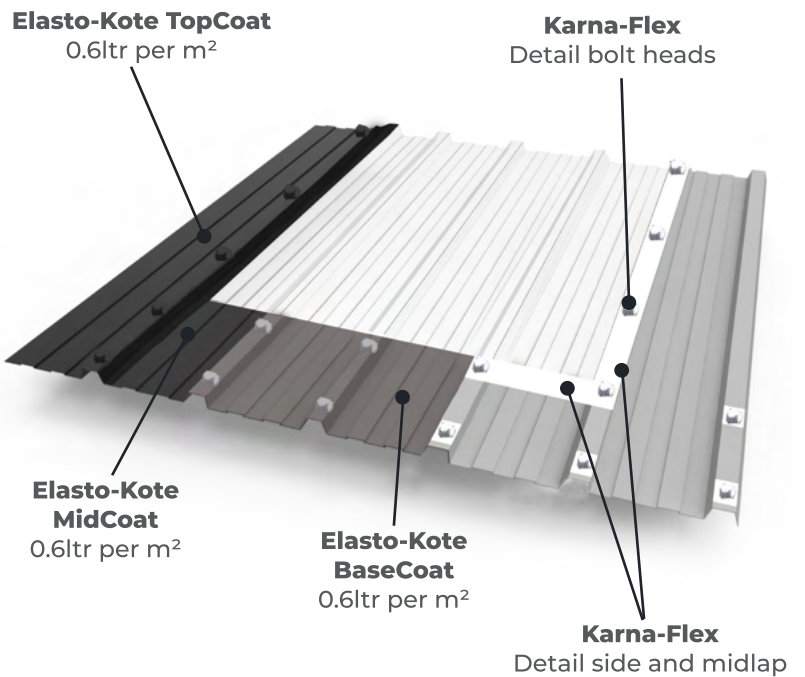
## ELASTO-KOTE®

### TYPICAL 10 YEAR METAL BUILD-UP



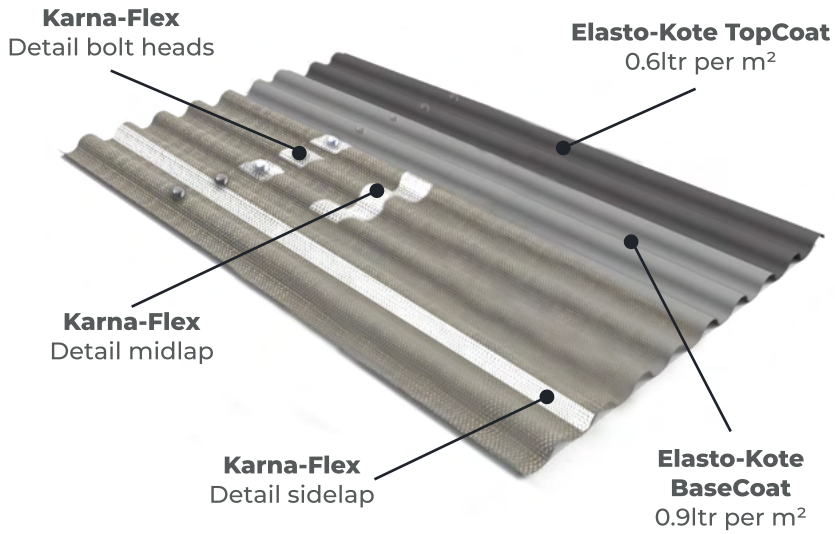
## ELASTO-KOTE **PRO**®

### TYPICAL 20 YEAR METAL BUILD-UP



# ELASTO-KOTE®

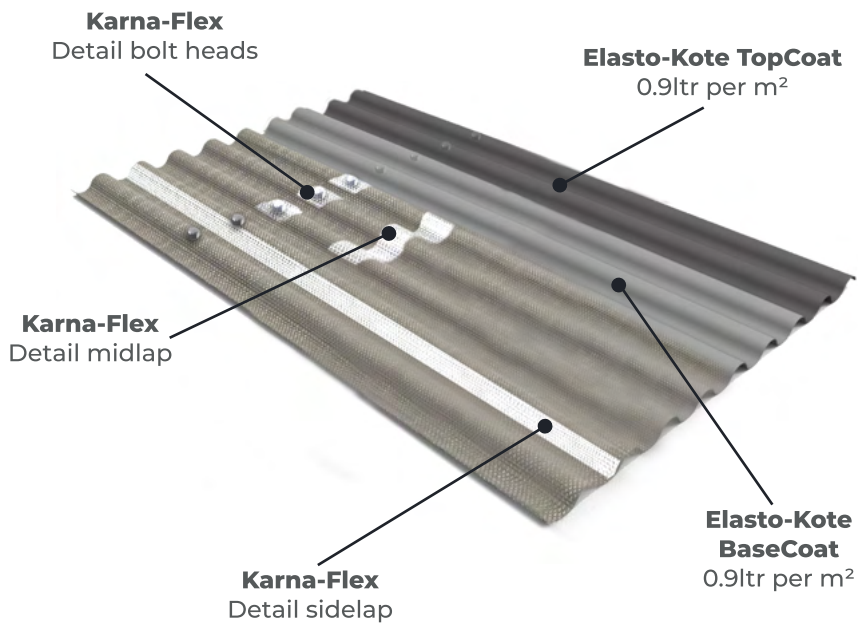
## TYPICAL 10 YEAR ASBESTOS BUILD-UP



## ASBESTOS APPLICATION

# ELASTO-KOTE **PRO**®

## TYPICAL 15 YEAR ASBESTOS BUILD-UP





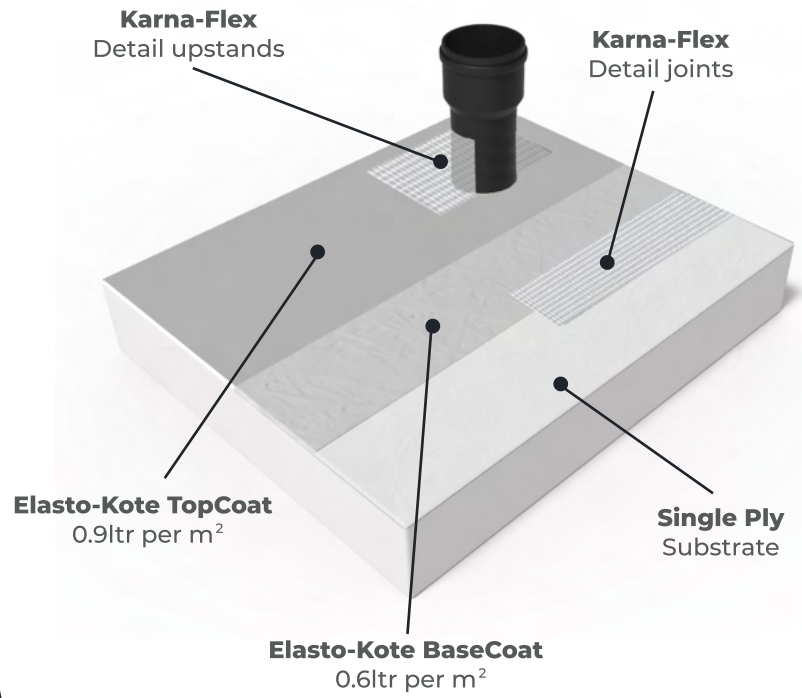


# SINGLE PLY APPLICATION



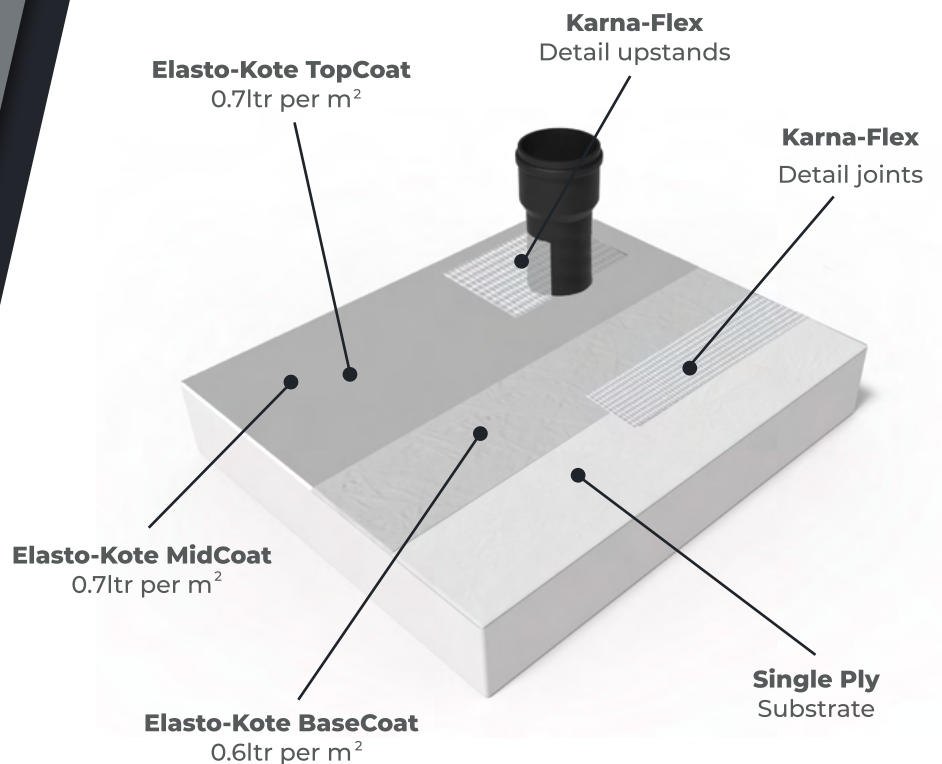
## ELASTO-KOTE.

### TYPICAL 10 YEAR SINGLE PLY BUILD-UP



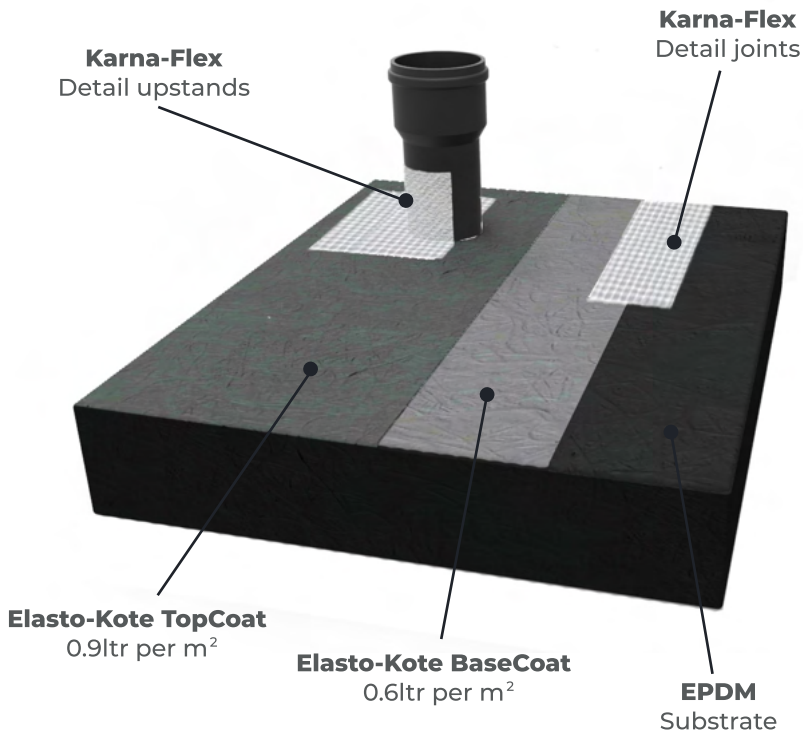
## ELASTO-KOTE **PRO**®

### TYPICAL 20 YEAR SINGLE PLY BUILD-UP



# ELASTO-KOTE®

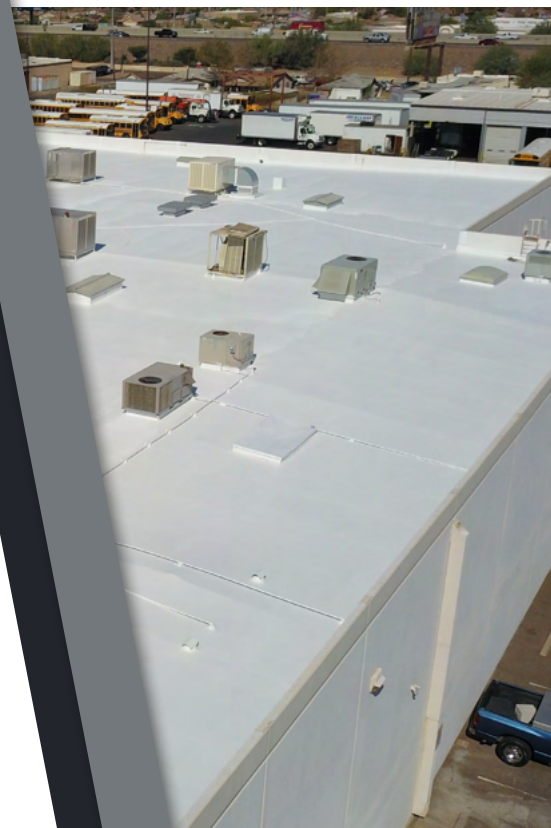
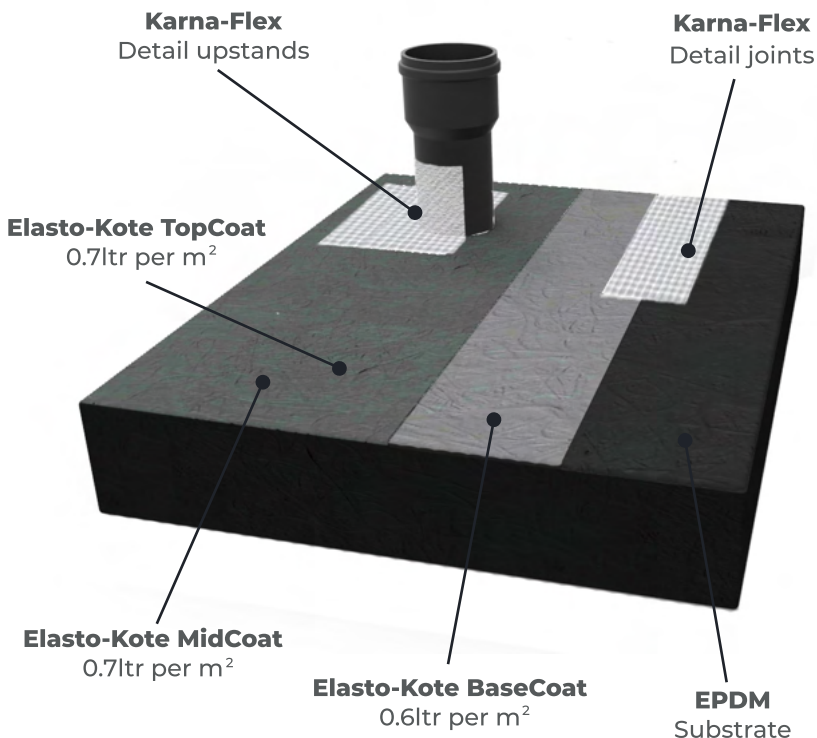
## TYPICAL 10 YEAR EPDM BUILD-UP



# EPDM APPLICATION

# ELASTO-KOTE **PRO**®

## TYPICAL 20 YEAR EPDM BUILD-UP



# KARNAK ELASTO-KOTE.®

## BENEFITS

✓ <b>Sprayable</b>	✓ <b>Self-Priming</b>	✓ <b>650% Elongation</b>
✓ <b>2/3 Coat Application</b>	✓ <b>85% Solar Reflective</b>	✓ <b>Single Component</b>

## TECHNICAL STATISTICS

Dry film thickness:	1.8ltr 1.2-1.8mm
Application rate:	1.2ltr - 2ltr
Cure time:	Min overcoat 12-24 hours
Fire test:	FM approved
Application temperature:	+5°C - 40°C
Specific gravity:	1.05 - 1.15 (H2O=1)
Load strength:	1650 psi
Elongation:	650%

## BONDS TO (No primer required)

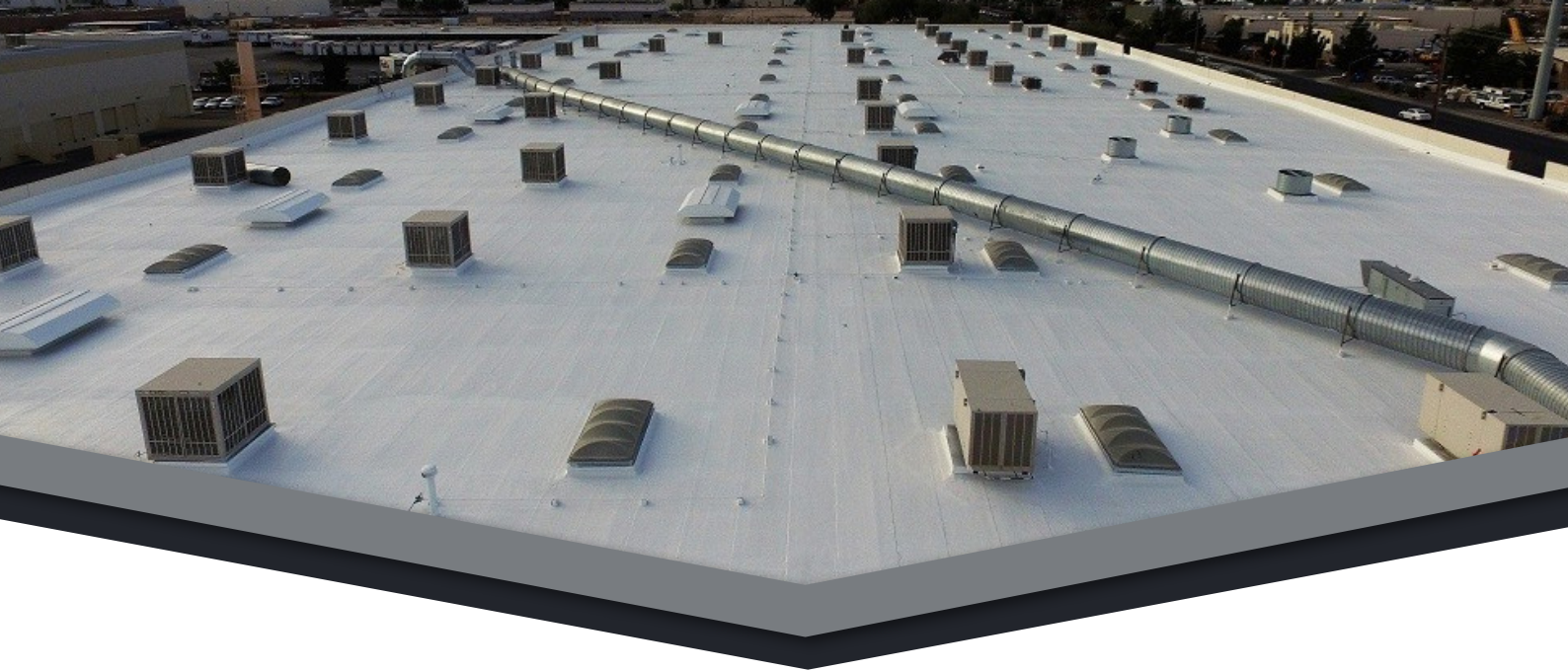
Metal	✓
Plastisol	✓
Asbestos	✓
Concrete	✓
Fibre cement	✓
Single ply	✓
EPDM	✓
TPO	✓
Spray foam	✓

## PRODUCT RANGE TABLE

PRODUCT	SIZE	CODE	COLOUR
Elasto-Kote	18.9ltr	EK502BC19LG	Light Grey
Elasto-Kote	18.9ltr	EK502BC19PG	Portland Grey
Elasto-Kote	18.9ltr	EK502BC19W	White
Karnaflex	850ml	KF0.8W	White
Karnaflex	3.4ltr	KF3.4G	Grey
Karnaflex	3.4ltr	KF3.4B	Black
Karnaflex	10.5ltr	KF10.5G	Grey
Karnaflex	10.5ltr	KF10.5B	Black
Karnaflex Tape	100mm	KFT100	White
Karnaflex Gun	-	KFGUN	-
799 Cleaner	1ltr	799W	Clear pink liquid
507 Primer Wash	3.4ltr	507PW	Clear yellow liquid
507 Primer Wash	18.9ltr	507PW	Clear yellow liquid







## GUARANTEES AND TESTING

Our systems are tested to the highest standards to ensure they are fit for purpose and deliver exceptional performance.

We only manufacture and distribute high performance materials and as such all our systems come with a 10 year guarantee as standard, with our Pro ranges offering extended guarantees of up to 25 year.

Our products are third party accredited by the largest testing houses in Europe and the United states including BBA, BDA and Factory Mutual.

Our production processes are externally audited to ensure complete quality control.

We continually test our products to the latest standards and whilst our testing certificates are available on our website our technical team are on hand to deal with specific test enquiries.

For further information visit [www.lrs-systems.co.uk](http://www.lrs-systems.co.uk) or call our team on **01948 841 877**

## LIQUID ROOFING SYSTEMS

📍 Roofing House, Prees Green, Whitchurch, SY13 2BN

☎ 01948 841 877

📞 01948 841 854

✉ [enquiries@lrs-systems.co.uk](mailto:enquiries@lrs-systems.co.uk)

🌐 [www.lrs-systems.co.uk](http://www.lrs-systems.co.uk)



PRODUCT GUARANTEES BREAKDOWN	
	10 year guarantee
	Up to 20 year guarantee
	10 year guarantee
	15 year guarantee
	10 year guarantee
	Up to 20 year guarantee
	10 year guarantee
	10 year guarantee
	Up to 25 year guarantee
ELASTO-KOTE.	10 year guarantee
ELASTO-KOTE <b>PRO</b> .	Up to 20 year guarantee

