

C02P/NP/LP SLATE DRY VERGE

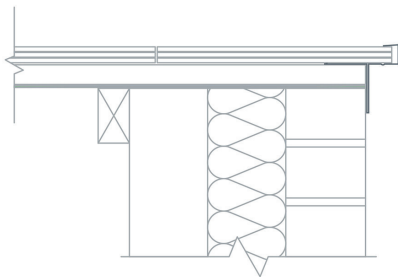
TECHNICAL DATA SHEET

Product Details

The Tapco Slate Dry Verge System permanently secures slate applications on gable ends protecting the verge from wind uplift and rain.

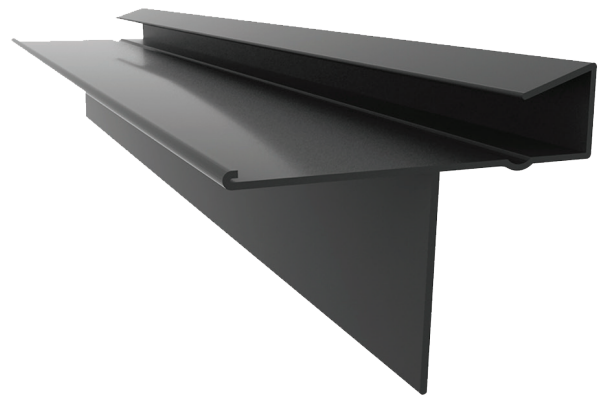
The Slate Dry Verge System can be used with both interlocking slates and double lap natural or fibre cement slates.

The components are manufactured from high durability extruded and injection moulded UV inhibited PVC-U.



Product Features

- Provides full wind uplift and rain protection.
- Patented 'Drip System' which allows for self drainage of rain water into the gutter.
- Extremely easy and quick to install.
- Requires no maintenance once installed.
- Extensive range of colours available.

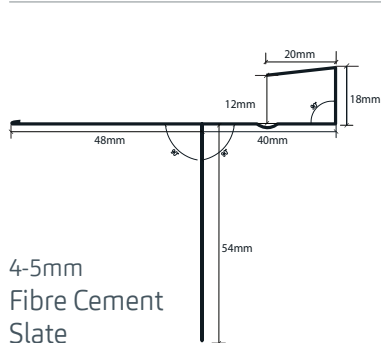


Dimensions

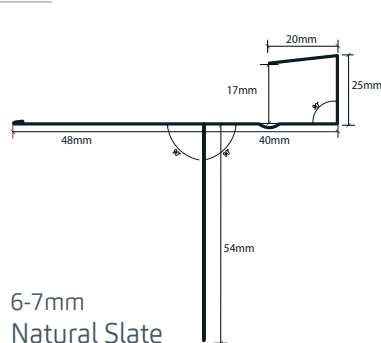
C02P/C02NP/C02LP Slate Trim Type 2 uPVC

Overall length: 2000mm

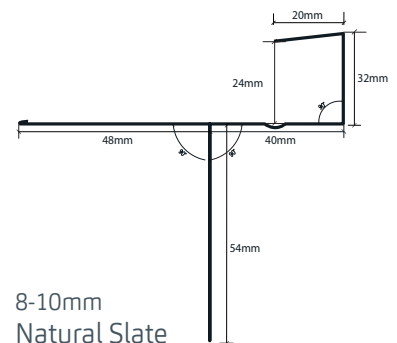
Code	Size	Colour	Pk Qty
C02P	18mm x 2.4m/3m	Blk	1
C02NP	25mm x 2.4m/3m	Blk	1
C02LP	32mm x 2.4m/3m	Blk	1



4-5mm
Fibre Cement
Slate



6-7mm
Natural Slate



8-10mm
Natural Slate