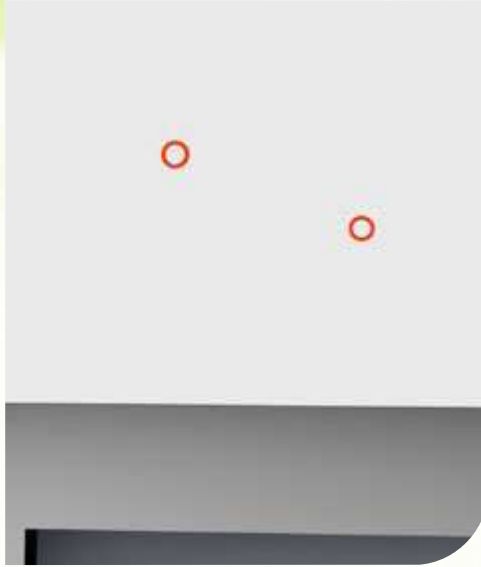


# Door Canopies Installation Guide

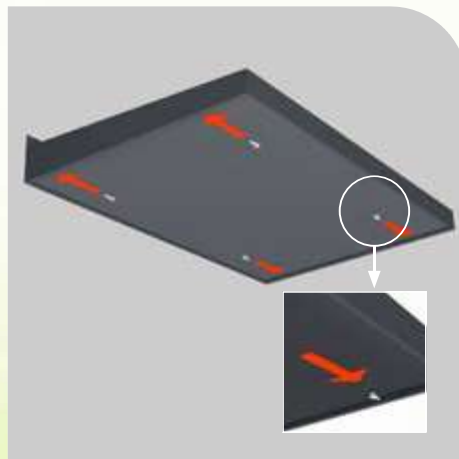
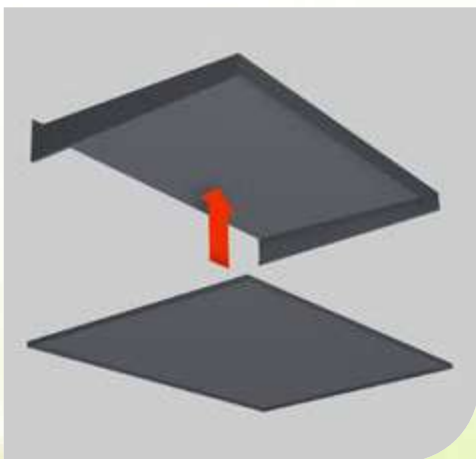


1. Position canopy and mark the wall bracket location. Using the two holes provided mark the fixing holes with a pencil or permanent marker. Drill holes to suit the chosen fixing method, anchor bolts or chemical anchor fixing is recommended.



2. Install the first wall bracket.

3. Level the wall bracket with a spirit level and check the position of the second wall bracket. Fit the second bracket into position. Double-check level after fixing, and adjust or pack as required.



4. Assemble top section and soffit section with 4 self-tapping screws.

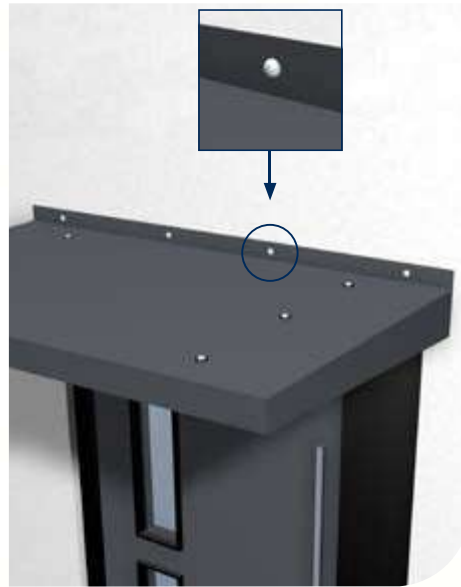
5. Apply a bead of silicone to the back of the upstand.



**6.** Slide assembled canopy onto the wall brackets until the canopy sits tight to the wall. Secure the canopy to the wall brackets using 6x self-tapping screws with rubber-washer (as shown).



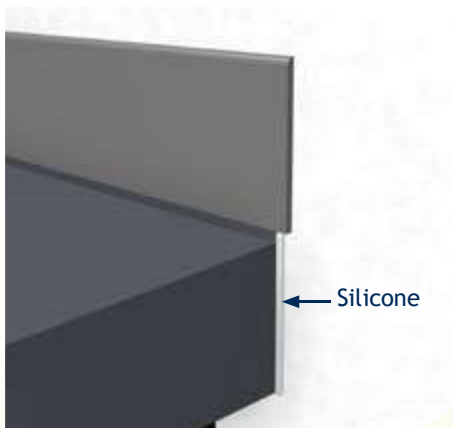
**7a.** Using the pre-drilled holes, fix through the soffit down stand into the wall.



**7b.** Fix through the upstand into the wall.



**8.** Finally, dress the top of canopy with lead or required flashing.



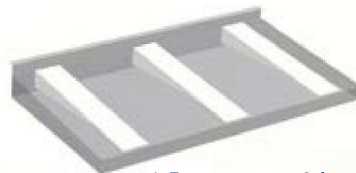
Optional: seal sides with a high-quality low modulus silicone i.e., Dow Corning or Adshead Ratcliffe colour matched to the same colour as the canopy, alternatively use a translucent colour.



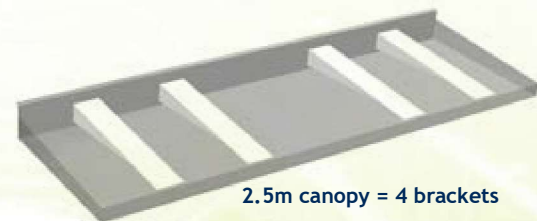
1m canopy = 2 brackets



2m canopy = 4 brackets



1.5m canopy = 3 brackets



2.5m canopy = 4 brackets

