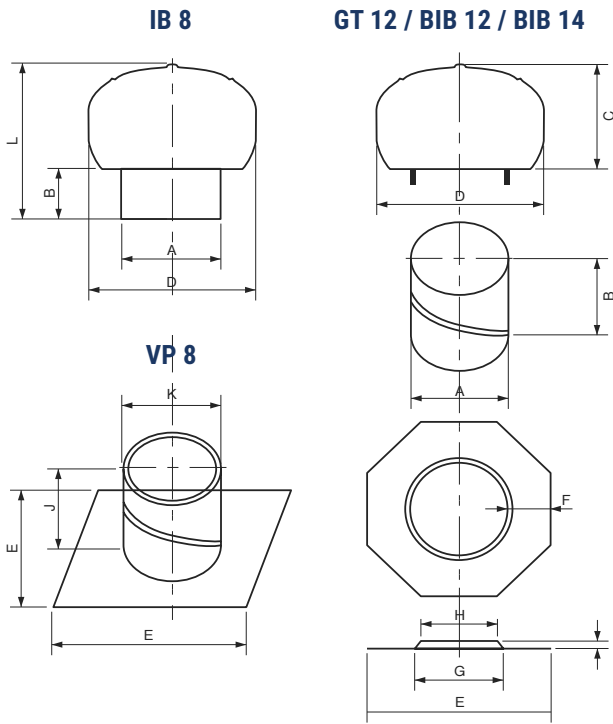


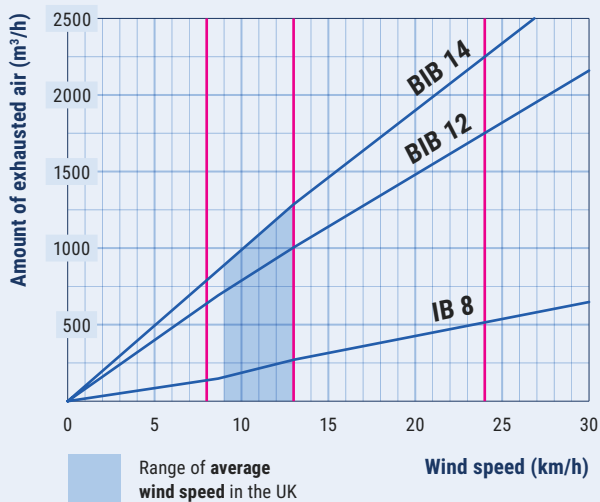
VENTILATION TURBINES DATASHEET



DIMENSIONS

model	GT 12	BIB 12	BIB 14	IB 8
A	305 mm	305 mm	356 mm	203 mm
B	165 mm	195 mm	255 mm	107 mm
C	245 mm	250 mm	270 mm	-
D	420 mm	440 mm	460 mm	320 mm
E	510 mm	510 mm	560 mm	400 mm
F	100 mm	100 mm	100 mm	-
G	300 mm	300 mm	350 mm	-
H	278 mm	278 mm	335 mm	-
I	25 mm	25 mm	30 mm	-
J	-	-	-	195 mm
K	-	-	-	203 mm
L	-	-	-	360 mm
Roof pitch	0-27°	0-45°	0-45°	0-27°

LOMANCO EFFICIENCY CHART



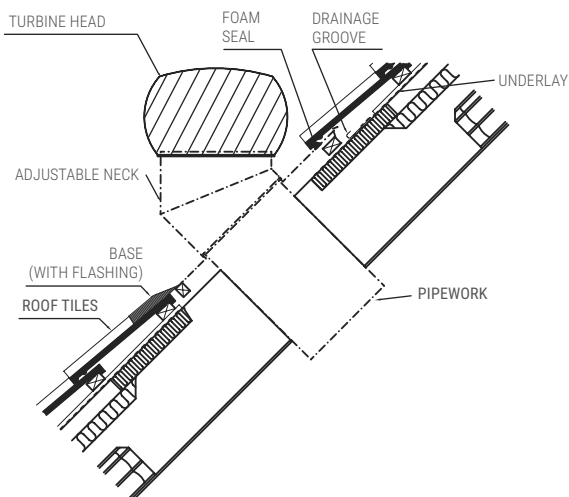
model	wind speed		
	8 km/h	13 km/h	24 km/h
BIB 12	590 m³/h	930 m³/h	1 750 m³/h
BIB 14	710 m³/h	1 200 m³/h	2 250 m³/h
GT 12	590 m³/h	930 m³/h	1 750 m³/h
IB 8	165 m³/h	295 m³/h	565 m³/h
TIB 12	590 m³/h	930 m³/h	1 750 m³/h
TIB 14	710 m³/h	1 200 m³/h	2 250 m³/h

RECOMMENDED FREQUENCY OF AIR EXCHANGE IN INTERIORS

Living rooms offices	2-3 x per hour
Storage halls	2-10 x per hour
Medium-duty industrial operations	8-10 x per hour

For quality air circulation, it is necessary to ensure sufficient air supply to the ventilated area. The rule is that the fresh air intake must be at least as large as the diameter of the turbine. If multiple turbines are used, the size of fresh air intake must be equal to total the area of all turbines.

PITCHED ROOF:



FLAT ROOF:

