

5



Flat roof domes - Classic Range



Flat Glass - Lumiglaze



Galaxy Range

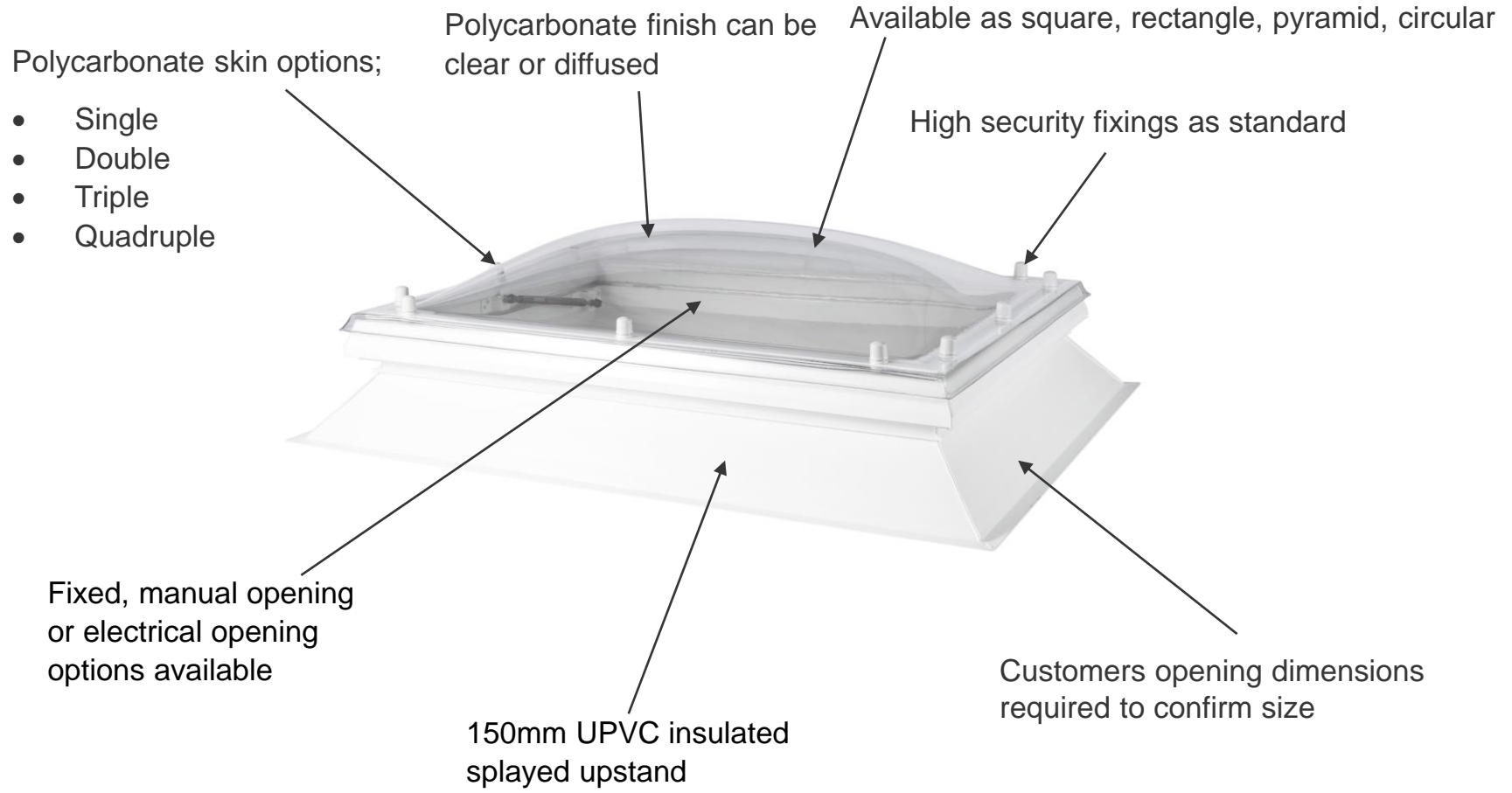


Access Hatches



AOV's (SHEV)

Classic Range



Classic Range

Our team is available to assist with specifying the best daylight solution to meet your project needs – from initial design through to aftersales support. For sales or technical support on any of the COXDOME product range please contact our Sales Team on 0121 530 4230.

1. Determine the size

Finished Roof Opening Size = Rooflight Size



2. Select the upstand

SF15= 150mm splayed insulated upstand
R016=160mm vertical insulated upstand



3. Select the glazing

Single, Double, Triple, Quadruple
Clear, Diffused
PC = Polycarbonate
Available in square, rectangle, circular or pyramid



4. Operation

Fixed, Manual Hinge or Electric Hinge



5. Background ventilation

Hit and Miss Ventilation – only available in splayed upstands



6. Accessories and Control Panels

A complete list of accessories is available on page 38. Refer to the technical data sheet for all compatible accessory options per product.



All units

Before commencing assembly, pre-drill the base of the upstand with holes of a suitable size to accept the fixings selected to suit the roof structure. They should be positioned 30mm in from the edge of the base flange, 75mm from the corners and at approximately 300mm centres.

Fixed unit assembly

Pre-drill the base of the upstand (A) as above. Position the glazing assembly (C) onto the upstand. Ensure that clearances are even all round and fix glazing assembly (C) to the upstand (A) with the self-tapping screws (C8). Snap in the security caps (C9). Snap on cover caps (C10).

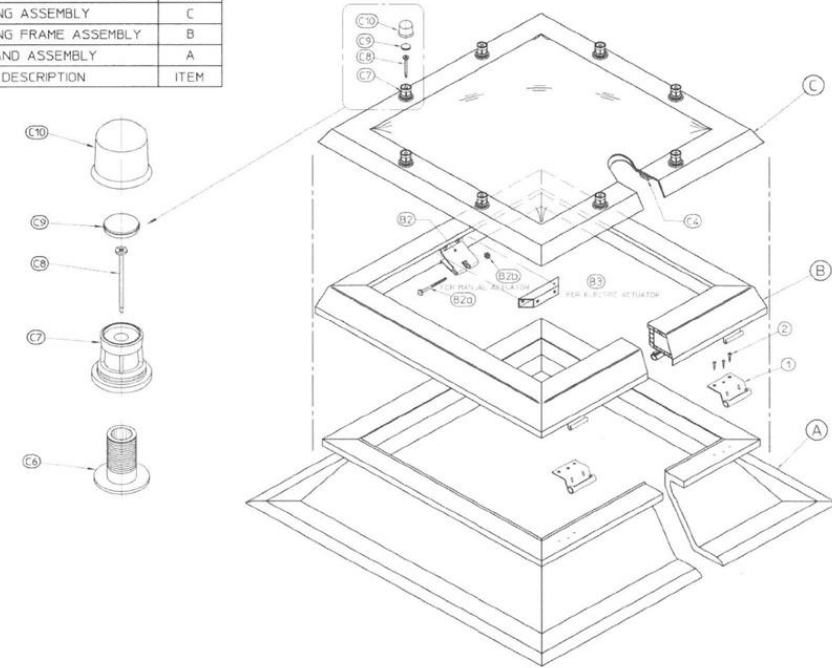
Manual opening assembly

Pre-drill the base of the upstand (A) as above. Position the glazing assembly (C) onto the opening frame (B). Ensure that clearances are even all round and fix glazing assembly (C) to the opening Frame (B) with the self-tapping screws (CS). Snap in the security caps (C9). Snap on cover caps (C10). After fitting the rooflight to the structure, fit the manual actuator (D3) using pivot location screws (DS), Bolt (B2a) and nut (B2b). Open and close the unit a few times to ensure it is functioning correctly.

Electric opening assembly

Pre-drill the base of the upstand (A) (see left). Position the glazing assembly (C) onto the opening frame (B). Ensure that clearances are even all round and fix glazing assembly (C) to the opening Frame (B) with the self-tapping screws (CS). Snap in the security caps (C9). Snap on cover caps (C10). Connect the Chain Drive to the power supply using parts (ES) & (E6) and wiring diagram (E7). Ensure to allow sufficient slack for actuator movement during operation. Note for the actuator to stop in any position it must be connected to the power supply using the wiring diagram (E7), and not as shown in the diagram on the actuator body. Open and close the unit a few times to ensure it is functioning correctly. Before commencing fixing of COXDOME Classic Range rooflights, ensure that roof deck is flat and smooth for at least 200mm around roof opening. Bed the rooflight on a bed of mastic ensuring an adequate seal. Lay rooflight upstand in correct position and fix using 65-75mm No.10 or No.12 Stainless Steel wood screws (not supplied) at approximately 300mm centres and 75mm in from each corner.

ELECTRIC ACTUATOR KIT	E
MANUAL ACTUATOR KIT	D
GLAZING ASSEMBLY	C
OPENING FRAME ASSEMBLY	B
UPSTAND ASSEMBLY	A
DESCRIPTION	ITEM



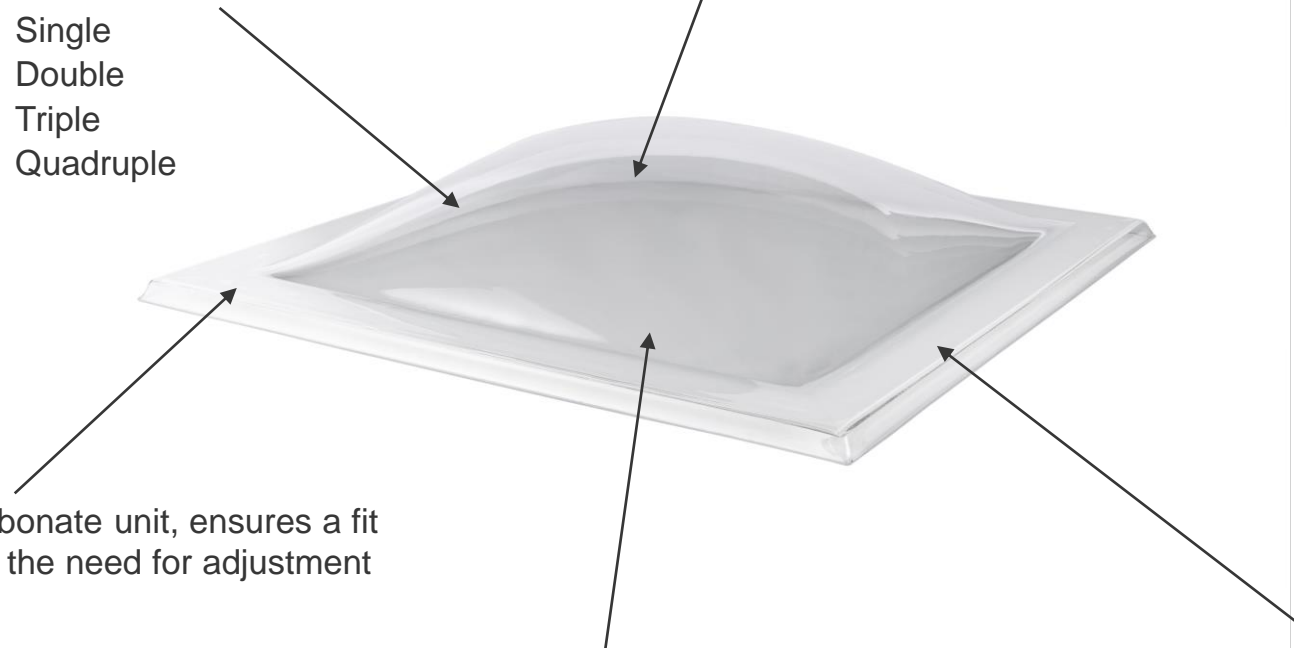
NOTE: If specified, these rooflights can be fixed to:
Concrete kerbs using proprietary plugs and wood screws (not supplied).
Proprietary metal kerbs with M6 bolts and nuts (not supplied).

Galaxy Range

Polycarbonate skin options;

- Single
- Double
- Triple
- Quadruple

Polycarbonate finish can be clear or diffused



100mm flanged polycarbonate unit, ensures a fit with most kerbs without the need for adjustment

Available as square or rectangular

Customers builders dimensions required to confirm size

Designed to be fitted to existing builder's kerb

3/26/2024



Fixing & handling instructions



Important:

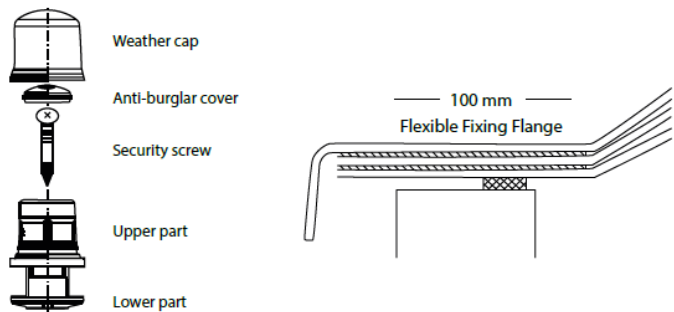
Check that consignment is received in good order. No claims for damages, breakages or shortages can be considered unless marked on haulier's copy or delivery note and a written claim made within 3 days to the address below. Store rooflights on edge, under cover, in a dry place. Separating pieces should be inserted between each rooflight. Rooflights must **NOT** be stacked on top of each other.

Fitting Instructions

COXDOME Rooflights are supplied undrilled, in order to facilitate on site, positioning of the fixings to suit your kerb.

To drill the Dome

Using the centres shown in the chart as a guide –
 Drill a 6mm pilot hole through all the rooflight skins.
 Drill a 14mm dia. hole through all of the rooflight skins.



To install the fixing

Pass the Under Cap up through the drilled hole.
 Screw the Upper Cap on to the Under Cap.
 Tighten the Under Cap using a 6mm Allen Key.

To drill the Kerb where necessary

(i.e. if either concrete or metal)

Position and align the dome on top of the kerb.
 At each fixing position spot drill the kerb using a 6mm dia. drill.
 Remove the dome and drill fixing holes as required.

To fix the dome to the kerb

Adhere the weather strip (supplied loose) to the inner glazing.
 Ensure that the seal runs inboard of the fixings.

DO NOT stretch the weather seal.

DO NOT take round corners but cut and overlap at corners.

Reposition the Dome on top of the kerb and secure in position using the screws supplied.
 Press on the Anti-burglar Cover and Cover Cap.

NO. OF HOLES	DIM C HOLE CTRS	DIM B HOLE CTRS	ROOFLIGHT SIZE MM
16	2 x 432	4 x 521	1200 x 2400
14	2 x 432	3 x 492	1200 x 1800
12	2 x 432	2 x 582	1200 x 1500
12	2 x 357	2 x 582	1050 x 1500
12	1 x 555	3 x 492	900 x 1500
10	1 x 555	2 x 432	900 x 1800
8	1 x 705	1 x 555	750 x 900
12	1 x 255	3 x 492	600 x 1800
10	1 x 255	2 x 582	600 x 1500
10	1 x 255	2 x 432	600 x 1200
8	1 x 255	1 x 555	600 x 900
16	3 x 492	3 x 492	1800 x 1800
12	2 x 582	2 x 582	1500 x 1500
12	2 x 432	2 x 432	1200 x 1200
12	2 x 357	2 x 357	1050 x 1050
8	1 x 555	1 x 555	900 x 900
8	1 x 405	1 x 405	750 x 750
8	1 x 255	1 x 255	600 x 600

Fitting Instructions

COXDOME Rooflights are supplied undrilled, in order to facilitate on site, positioning of the fixings to suit your kerb.

To drill the Dome

Using the centres shown in the chart as a guide –
 Drill a 6mm pilot hole through all the rooflight skins.
 Drill a 14mm dia. hole through all of the rooflight skins.

To install the fixing

Pass the Under Cap up through the drilled hole.
 Screw the Upper Cap on to the Under Cap.
 Tighten the Under Cap using a 6mm Allen Key.

To drill the Kerb where necessary

(i.e. if either concrete or metal)

Position and align the dome on top of the kerb.
 At each fixing position spot drill the kerb using a 6mm dia. drill.
 Remove the dome and drill fixing holes as required.

To fix the dome to the kerb

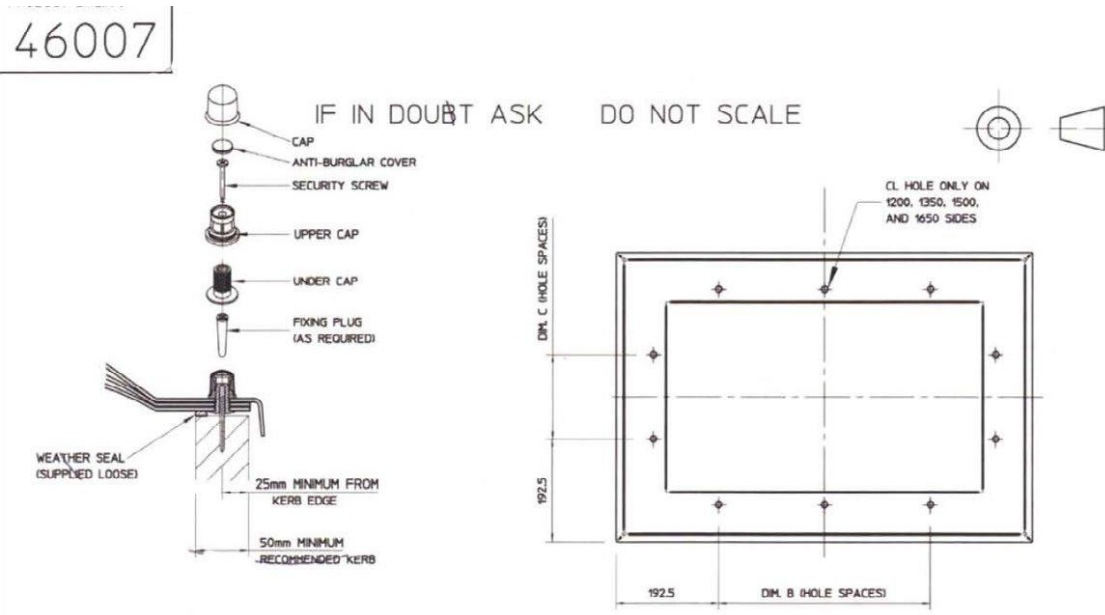
Adhere the weather strip (supplied loose) to the inner glazing.
 Ensure that the seal runs inboard of the fixings.

DO NOT stretch the weather seal.

DO NOT take round corners but cut and overlap at corners.

Reposition the Dome on top of the kerb and secure in position using the screws supplied.

Press on the Anti-burglar Cover and Cover Cap.



Galaxy Range

Our team is available to assist with specifying the best daylight solution to meet your project needs – from initial design through to aftersales support. For sales or technical support on any of the COXDOME product range please contact our Sales Team on 0121 530 4230.

1. Determine the size

Existing kerb size required. Please refer to the price list for minimum and maximum kerb dimensions

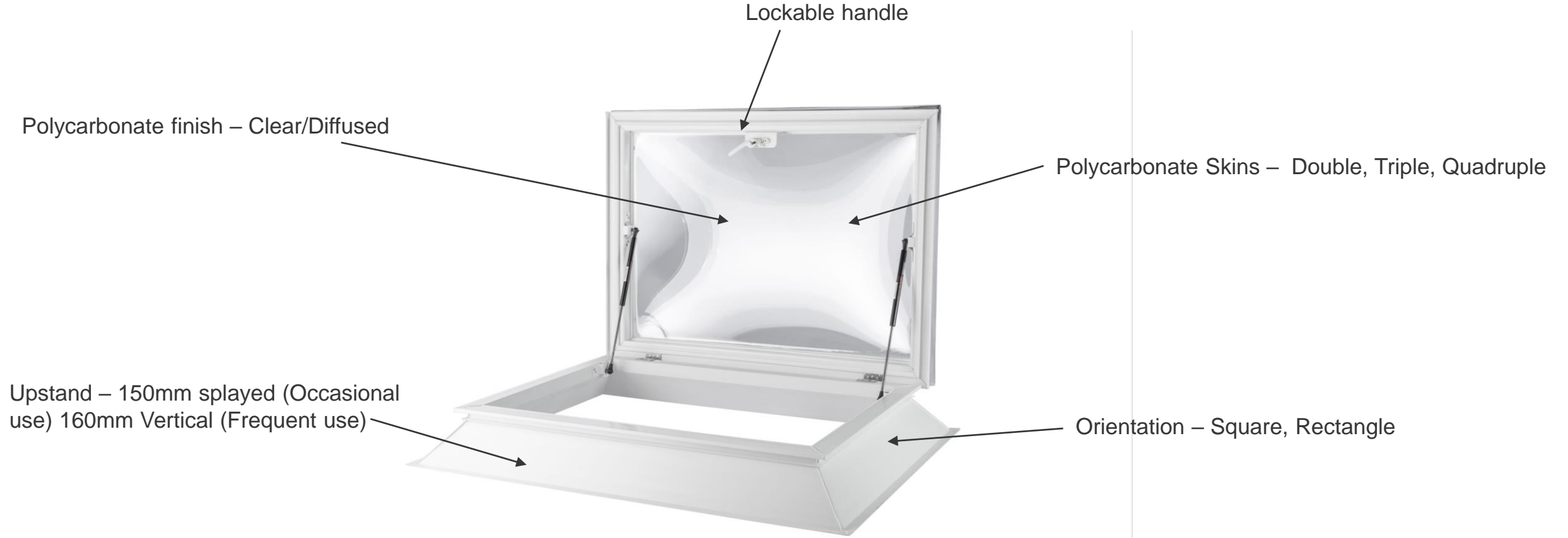


2. Select the glazing

Single, Double, Triple, Quadruple
Clear, Diffused
PC = Polycarbonate
Available in square or rectangle



Access Hatch

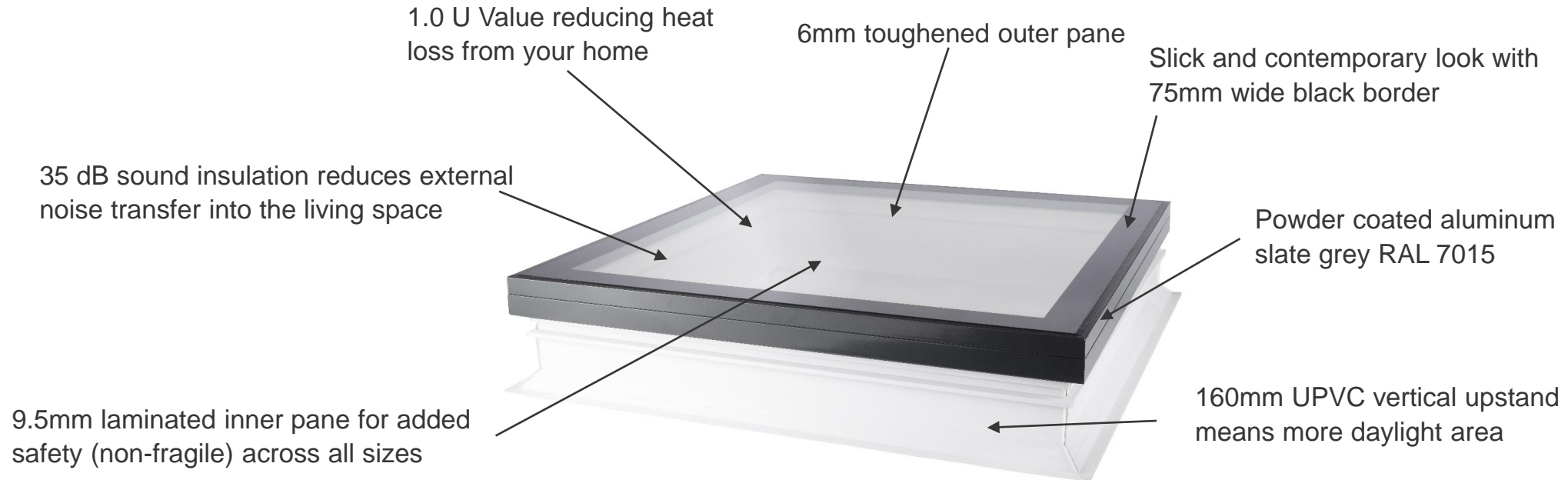


Installation and selection criteria the same as classic range

Used to access the roof area

Domes, circular and pyramid glazing

	Glazing	Light Transmission	"G" Value Solar Heat Gain	"Ud Value"	Sound Reduction (dB)	Fire Classification	Impact Resistance
SINGLE	Clear	90%	87%	5.3W/m ² K*	12dB	1-3mm: B -s1-d0	> 200 N/mm ²
	Diffused	89%	85%				
	Opal	50%	40%				
DOUBLE	Clear	77%	67%	2.6W/m ² K*	20dB	1-3mm: B -s1-d0	> 200 N/mm ²
	Diffused	77%	67%				
	Opal	44%	51%				
TRIPLE	Clear	71%	57%	1.7W/m ² K*	22dB	1-3mm: B -s1-d0	> 200 N/mm ²
	Diffused	71%	57%				
	Opal	62%	52%				
QUADRUPLE	Clear	66%	49%	1.3W/m ² K*	23dB	1-3mm: B -s1-d0	> 200 N/mm ²
	Diffused	66%	49%				
	Opal	57%	45%				



- If lid only then customers EXTERNAL dimensions required
- Customers opening dimensions or builders kerb dimensions required to confirm size
- Lid only or fixed, manual opening or electrical opening options available
- If customer is having an upstand then opening space is required

INSTALLATION INSTRUCTIONS FOR uPVC KERB WITH GLASS TOP

The rooflight should be delivered in undamaged packaging, please check delivery immediately and report any shortages.

What's in the box:

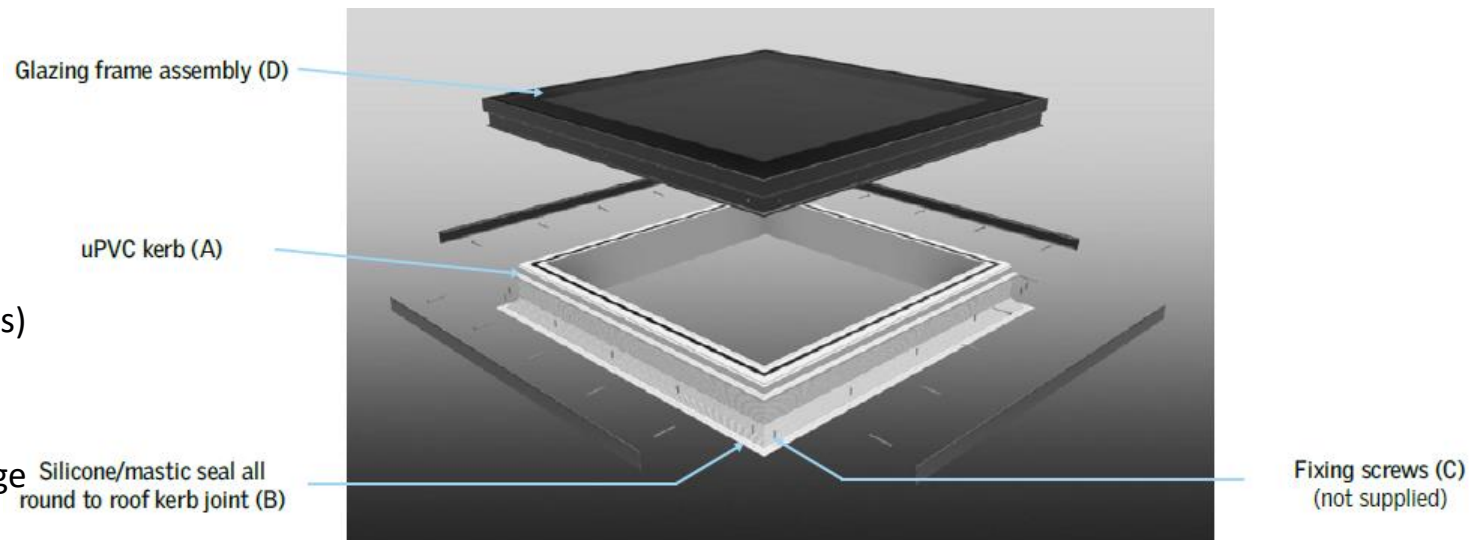
- 1No. fully assembled rooflight uPVC Kerb
- 1No. Fully assembled double glazed unit and frame
- Screws to fix glazed frame to kerb
- 4No. Clip covers to conceal fixings

What's NOT in the box:

- Silicone/mastic or expanding foam seal
- Fixings to fix kerb to roof (this is due to differing roofing materials)

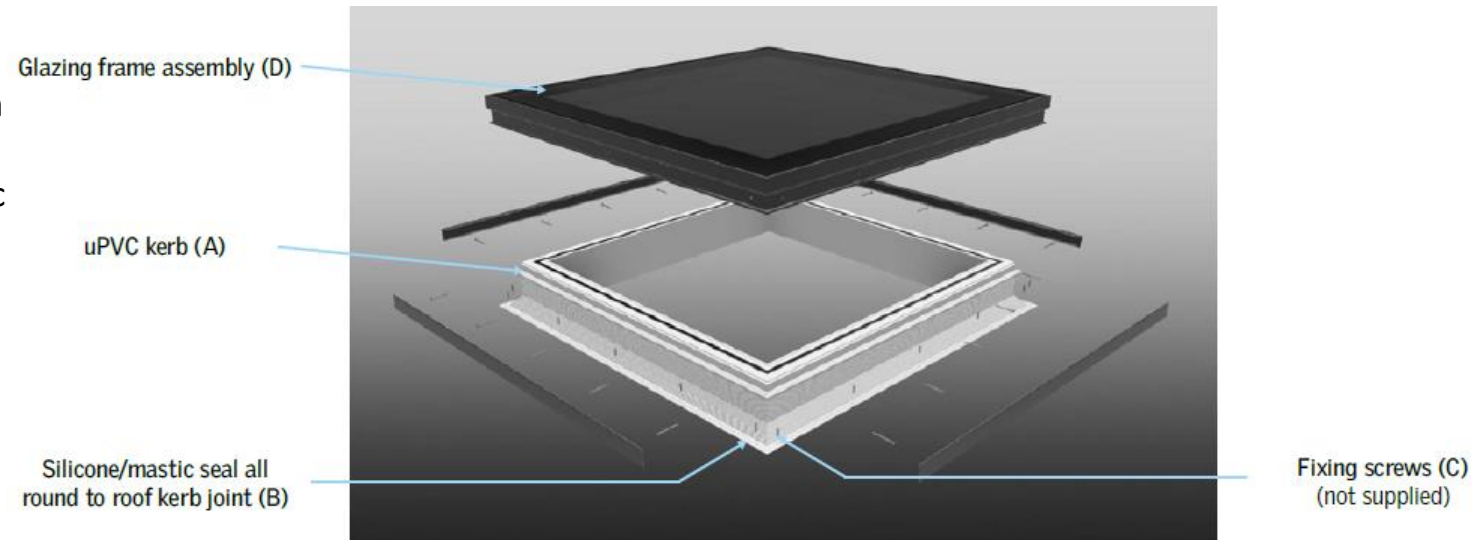
Before commencing installation

- Ensure working area is safe and free from debris that may damage the unit or compromise the integrity of the seal.
- Ensure roof area has a flat surface minimum 100mm around the roof opening.
- Tools required for the installation of this rooflight:
 - Silicone/mastic sealant or compressible foam seal or similar.
 - Screwdriver suitable for chosen fixings flat, cross point (phillips) etc.
 - Riveting tool.
 - 5mm Diameter drill bit.
 - Small rubber mallet.



Installation:

1. Check fit of kerb (A) by loosely fitting over roof opening, once satisfied remove rooflight.
2. Apply a liberal continuous bead of silicone/mastic (B) around the top face of the rooflight opening (not supplied) or an unbroken expanding foam seal as appropriate (not supplied).
3. Replace kerb (A) into position and bed down into silicone/mastic or expanding foam seal.
4. Screw fix the kerb (A) to the roof structure through the fixing flange using appropriate screws (C) for the roof structure (not supplied). Screws should be positioned 50mm from each corner, and a maximum 400mm centres thereafter.
5. When satisfied with the installation apply roofing membrane in accordance with the membrane manufacturers instructions.
6. Lift the glass assembly (E) into place on top of the kerb.
7. Ensure glass assembly is central on frame and drill through the predrilled holes with 5mm diameter drill bit into the PVC frame and fix with screws provided, care to be taken not to drill through inner face of kerb.
8. Tap on clip covers with a small rubber mallet taking care not to damage cover.



Lumiglaze

Our team is available to assist with specifying the best daylight solution to meet your project needs – from initial design through to aftersales support. For sales or technical support on any of the COXDOME product range please contact our Sales Team on 0121 530 4230.

1. Determine the size

Finished Roof Opening Size = Rooflight Size



2. Select the upstand

Available in Lid Only option or R016=160mm vertical insulated upstand



3. Operation

Fixed, Manual Hinge or Electric Hinge



4. Accessories and Control Panels

A complete list of accessories is available on page 38.

Refer to the technical data sheet for all compatible accessory options per product



AOV (SHEV)

Minimum accessories required are a smoke detector and control panel

Actuator can be offset to allow for a larger access area

Polycarbonate skin options;

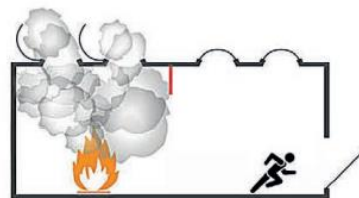
- Single
- Double
- Triple
- Quadruple

Polycarbonate finish can be clear or diffused

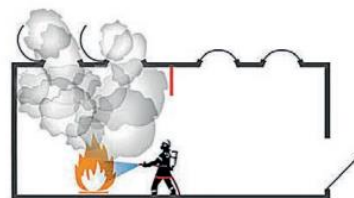
160mm UPVC vertical upstand means more daylight area

Available as square or rectangular

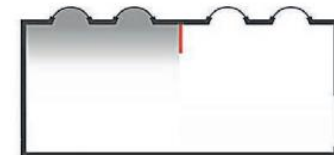
Can be supplied with a comfort switch to operate for natural ventilation



1. SHEV opens immediately and aids evacuation

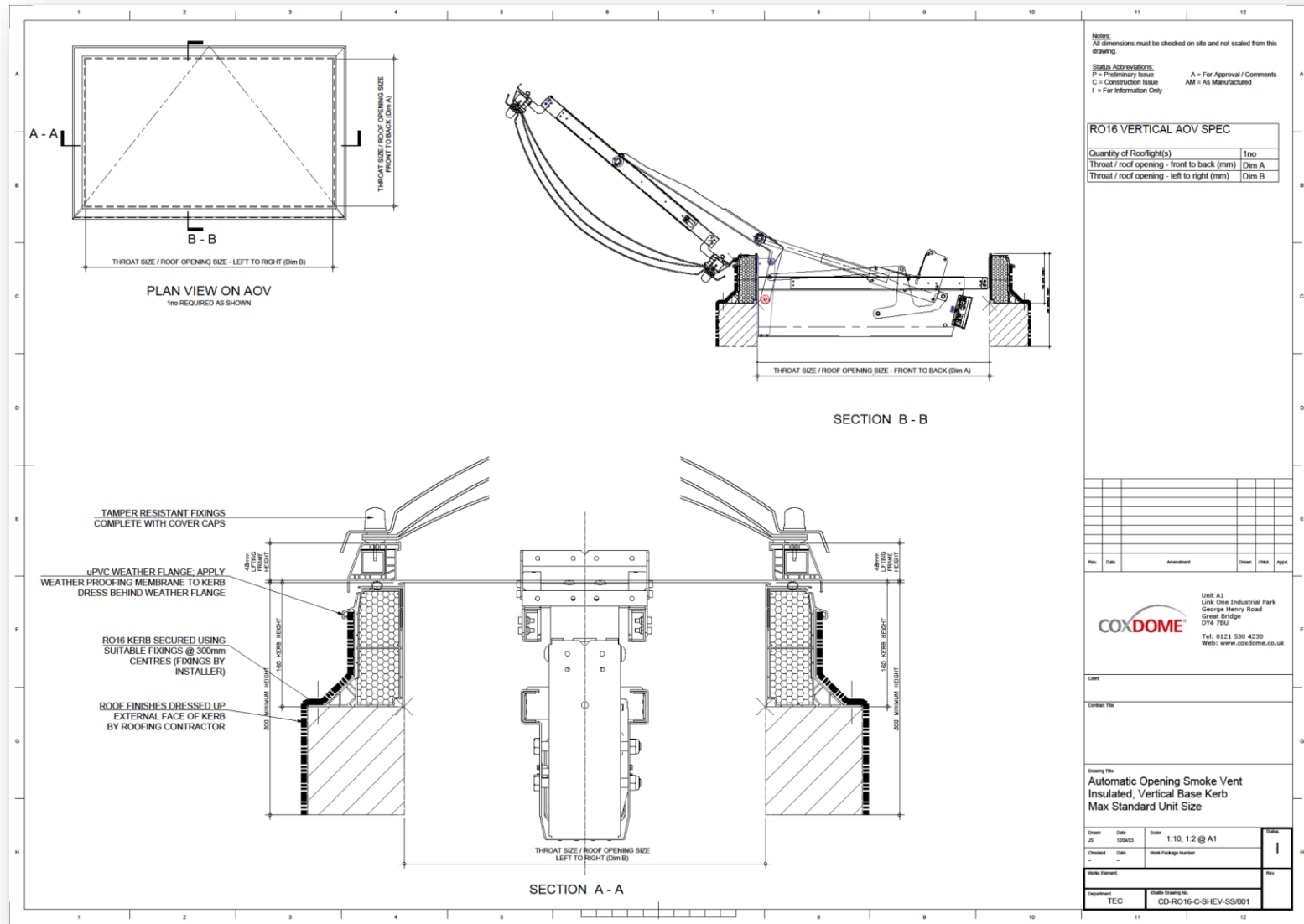


2. Safer and easier to fight fire



3. Damage is avoided or contained

Classed as a lifesaving device



COXDOME
Unit A1
Link One Industrial Park
George Henry Road
Great Bridge
DY4 7SU
Tel: 0121 530 4230
Web: www.coxdome.co.uk

Drawing Title:
Automatic Opening Smoke Vent
Insulated, Vertical Base Kerb
Max Standard Unit Size

Drawn	Date	Scale	Status
...	...	1:10, 1:2 @ A1	I

Checked	Date	Work Package Number
...

Department	Health & Safety No.
TEC	CD-RO16-C-SHEV-SS001

AOV (SHEV)

Our team is available to assist with specifying the best daylight solution to meet your project needs – from initial design through to aftersales support. For sales or technical support on any of the COXDOME product range please contact our Sales Team on 0121 530 4230.

1. Determine the size

Finished Roof Opening Size = Rooflight Size



2. Select the upstand

R016=160mm vertical insulated upstand
Must be fitted onto a timber ground to achieve the 300mm high requirement above the finished roof level



3. Select the glazing

Single, Double, Triple, Quadruple
Clear, Diffused
PC = Polycarbonate
Available in square or rectangle



4. Actuator


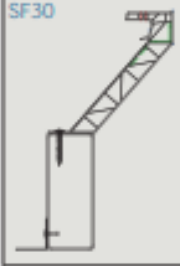
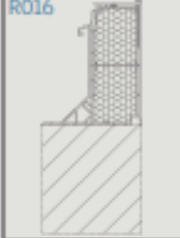
Standard (central position) or
Offset (to allow for access)

5. Accessories and Control Panels

A complete list of accessories is available on page 38.
Refer to the technical data sheet for all compatible accessory options per product.



U Values - Upstands

	Height	Material	Profile Width	"U" Value	Fire Resistance
 <p>SF15</p>	150mm	PVC-u	25mm	1.8 W/m ² K	D-s3-d1
 <p>SF30</p>	300mm	PVC-u	25mm	1.8 W/m ² K	D-s3-d1
 <p>R016</p>	160mm	PVC-u	65mm	0.2 W/m ² K Without insulation 1.0 W/m ² K	D