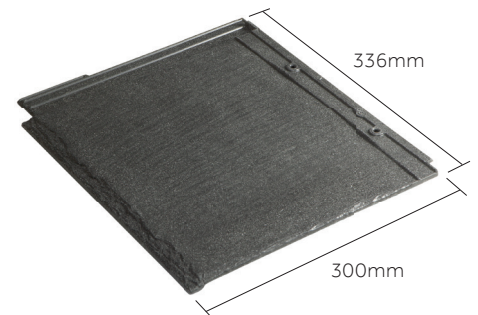


# Cambrian Slate

Cambrian Slate has a proven track record even on pitches as low as 15° and, while light in weight, its unique three-point fixing makes it suitable for even the most exposed sites.

## KEY ADVANTAGES

- Interlocking, reconstituted slate
- Riven surface and dressed edges
- Weathers like natural slate
- Four classic colours and finishes
- 60-year product guarantee
- Awarded BBA certification, number 874/1907



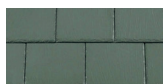
## PRODUCT DATA

<b>Size (overall)</b>	330x336mm
<b>Minimum Pitch and Headlap</b>	15° at 75mm headlap/ 25° at 50mm headlap <small>(The minimum pitch is based on a maximum rafter length of 10 metres. For rafter lengths greater than this, please contact Technical Services on +44 (0) 330 123 4585)</small>
<b>Maximum Pitch (subject to fixing specification)</b>	90°
<b>Minimum Headlap</b>	50mm
<b>Maximum Headlap</b>	90mm
<b>Minimum Gauge/Batten Spacing</b>	210mm
<b>Maximum Gauge/Batten Spacing</b>	below 25° 225mm/25° and over 250mm
<b>Hanging Length (approx.)</b>	294mm
<b>Cover (all figures are net and do not allow for wastage)</b>	
Linear cover of 1 slate	300mm
Covering capacity	14.8 slates/m <sup>2</sup> at 225mm gauge / 13.3 slates/m <sup>2</sup> at 250mm gauge
<b>Weight</b>	18kg/m <sup>2</sup> at 225mm gauge / 17kg/m <sup>2</sup> at 250mm gauge
per pallet, including pallet (approx.)	0.76 tonnes
per 1000	1.24 tonnes
<b>Battens Required (at max. gauge)</b>	4.0m/m <sup>2</sup>
<b>Batten Size</b>	
Rafter centres up to 450mm	38 x 25mm
Rafter centres up to 600mm	50 x 25mm
<b>Fixing Clips</b>	Eaves, Verge & Slate Clips
<b>Nail Size for Slates*</b>	30 x 2.65mm (S/S)
<b>Pallet Quantities</b>	Slates per pallet 600 / slates per pack 10 / packs per pallet 60

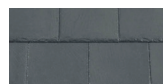
\* (S/S) Stainless Steel Annular ring shanked



28 Heather



29 Langdale Green



30 Slate Grey



31 Slate Grey (Pre-Weathered)

## FITTINGS & ACCESSORIES

### VERGE

Ambi-Dry Verge

### HIP PRODUCTS

Universal Angle Hip  
Dry Hip  
Rapid Hip  
Mitred Hip

### VALLEY PRODUCTS

Cambrian GRP Valley  
Dry Valley

### RIDGE PRODUCTS

Universal Angle Ridge  
Universal Angle Monoridge

### VENTILATION SYSTEMS

RedVent EavesVent  
RedVent 25 Over-Fascia Vent  
Rapid EavesVent  
Top Edge Abutment Ventilation  
DryVent Ridge  
Rapid Vented Ridge  
Uni-Vent Rapid Ridge/Hip  
DryVent Monoridge  
4.5k ThruVent Tile



# Cambrian Slate Product Codes

## TILES

Standard Slate (shown above)	4701
Cambrian Slate-and-a-Half	4702
Cambrian Left-hand Verge Slate	4703
Cambrian Left-hand Verge Slate-and-a-Half	4704
Cambrian Double Slate	4705

## UNDERLAYS

Spirtech 400 2S underlay	9202
Divoroll Elite 2S	9157
Divoroll Universal 2S	9156

## EAVES PRODUCTS

RedVent EavesVent 350-450mm (6m)	9189
RedVent EavesVent 450-600mm (6m)	9190
Extension Trays 350-450mm (6m)	9498
Extension Trays 450-600mm (6m)	9499
Rapid EavesVent 2-in-1 Tray	9988
Rapid EavesVent Rafter Roll (6m)	9984
RedVent 25 Over-Fascia Vent (6m)	9593
Underlay Support Tray (1.5m)	9076

## VERGE PRODUCTS

Ambi-Dry Verge II (10)	9488
Ambi-Dry Eaves/Ridge	9491

## HIP PRODUCTS

Cambrian Mitred Hip II (10 courses)	9504
Dry Hip (2.7m)	9048
Continuous Hip (5m)	9503
Uni-Vent Rapid Ridge/Hip (10m)	9313
Uni-Vent Rapid Hip Support Tray (1.2m)	9069
Universal Angle Hip/Ridge Junction	9520
Universal Angle Hip (without nail holes)	7777
Universal Angle Hip (with nail holes)	7778
Hip Iron	9258
Universal Angle Block-End Hip	7779
Mortar Bedded Fixing Kit	9314

## VALLEY PRODUCTS

Cambrian GRP Valley (3m))	9553
Dry Valley (Low Profile)(3m)	9575

## ABUTMENT PRODUCTS

Wakaflex Rapid Flashing	
Top Edge Abutment Ventilation Pack (3m)	9548
Abutment GRP Secret Gutter (3m)	9596
Bonding Gutter (Low Profile) (3m)	9580
Bonding Gutter (High Profile) (3m)	9578

## RIDGE PRODUCTS

DryVent Ridge (2.7m)	9059
Uni-Vent Rapid Ridge/Hip (10m)	9313
Continuous Ridge (5m)	9308
Ridge Vent Terminal	7254
Terminal Adaptor	9175
Flexible Pipe (100 to 100mm)	9172
Gas Flue Ridge Terminal	7242
Gas Flue Extension Adaptor	9143
Gas Flue Blanking Plates	9099
Universal Angle Ridge	7146
Hi-Pitch Universal Angle Ridge	7151
Universal Angle Block-End Ridge	7518
DryVent Monoridge (2.7m)	9084
Universal Angle Monoridge	7148
Universal Angle Block-End Monoridge LH	7297
Universal Angle Block-End Monoridge RH	7298
Universal Angle Monoridge End Cap LH	9778
Universal Angle Monoridge End Cap RH	9779
Mortar Bedded Fixing Kit	9314
Universal Angle Ridge End Cap	9773

## UNIVERSAL ANGLE RIDGE END CAP

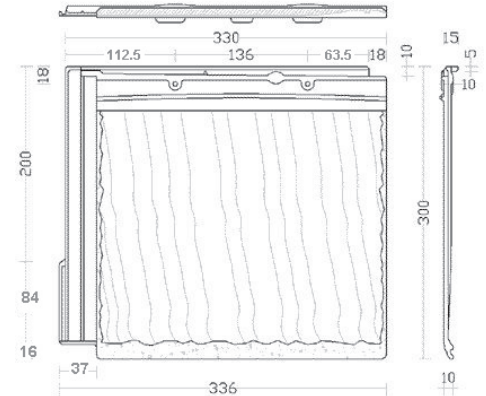
4.5k ThruVent Tile	7705
Flexible Pipe (75 to 100mm)	9188
Hi-Flow ThruVent Tile	7349

## FIXING

Eaves Clip and nails (50)	9192
Slate Clip and nails (100)	9196
Verge Clip and nails (20)	9193

## OTHER ACCESSORIES

Slate Replacement Kit	9554
-----------------------	------



BMI UK & Ireland  
 BMI House,  
 2 Pitfield, Kiln Farm,  
 Milton Keynes, MK11 3LW  
 +44 (0) 3705 601000

[www.bmigroup.com/uk](http://www.bmigroup.com/uk)

We are committed to continuously enhancing and improving our product range. We reserve the right to change our product specifications. We reserve the right to correct any typographical or clerical error or omission. For the latest information contact customer service.