

EN INSTRUCTIONS & ADVICE

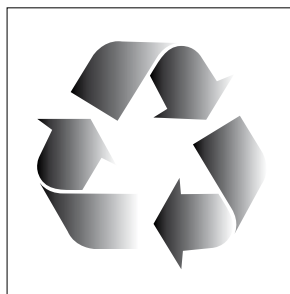
ASPIROTOR[®]

| STAINLESS STEEL

1. PRECAUTIONS – SECURITY – ENVIRONMENT

1. It is recommended that you wear gloves whilst working on the Aspirotor.
2. At all times, the Aspirotor should be held straight.
3. Every bit of material used can be recycled 100%.

Note: Before installing the Aspirotor you should take all the precautions necessary for working on the roof.



2. CHOOSING AN ASPIROTOR

There are 2 versions of the Aspirotor.

| Article | Description | For chimney Ø min - Ø max |
|----------|---------------|------------------------------|
| 57180560 | Aspirotor 150 | Ø 115mm to max 175mm |
| 57190561 | Aspirotor 200 | Ø 180mm to max 230mm |

3. INSTALLATION

Preparation

- Verify the contents of the box

The box should contain the following parts: - the unit

- bag containing 4 hooks and 4 fasteners
- installation Instruction

- Take the unit out of the box (wearing gloves) and place it vertically down.
- Place the fasteners slightly on the threads so that they can't come undone.
- Place the hooks in the opening (threads up) on the supporting frame (see pic. 1).



Pic. 1

Installation on a traditional chimney (Flat finish on top) (see pic. 2)

- Place the unit on the chimney.
- Tighten up the fasteners so that the unit is centered on the chimney.
- The supporting frame of the unit should cover the whole chimney area. If this is not the case, you should use an extra stainless steel plate (article «PAT»). This accessory can be found in the Poujolat range of products (see page 25).
- Please make sure that the Aspirotor unit is spinning freely.



Pic. 2

Note: Before tightening up the fasteners verify the inside of the chimney (Strength of brick) to prevent breaking of the bricks when tightening the fasteners.

Other variant: If possible, you can also fix the Aspirotor unit on the concrete plate on top of the chimney by using bolts (not included). In this case the 4 hooks in the package are not needed.

Installation on Mitron or flue-pipe in fibro-cement (see pic. 3)

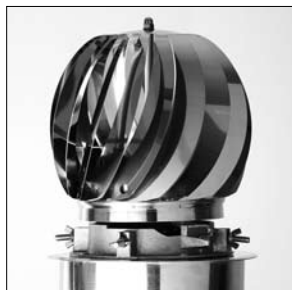
- Work as described above and make sure that the unit is correctly fixed.

Installation on a Poujoulat stainless steel chimney pipe (see pic. 4)

- Use the steel plate PAM described in «Aspirotor accessories» on page 25.



Pic. 3



Pic. 4

4. APPLICATIONS

ADVICE

It is advisable to fit an Aspirotor on any chimney situated in a high pressure area to prevent down draught.

It is especially advised in the following cases:

- Placing a chimney through the roof
- If the chimney is too small (- 2.5m for gas and – 4m for any other fuels)
- In cases where the building next to the chimney is higher than the chimney itself
- Etc...

A chimney that is not functioning well can be identified by:

- Downdraught
- Stoves: Window is turning black
- Boilers: Lots of tar in the burner
- Natural draught: Back draught of cold air into the building

FUELS

Due to the materials used, the Aspirotor is completely weather resistant. Technically speaking, the unit can be used for any fuels.

Note: For the usage of different fuels, please verify local laws and regulations for any restrictions.

LIMITATIONS FOR USE

The Aspirotor shouldn't be used in the following cases:

- If National laws or regulations prohibit the usage
- For boilers of type «C».
- If exhaust temperature is more than 250°C.
- If wind speed is more than 150km/h.

5. MAINTENANCE

Note: Always wear gloves during maintenance.

Good maintenance will certainly increase the lifespan of the Aspirotor unit. The unit should be maintained once a year or twice a year if wood is used.

Maintenance: Chimney access and cleaning the appliance (see pic. 5 and 6)

1. Loosen the bolt on the supporting frame to be able to turn the unit one side. This will give you access to the chimney.
2. Once the chimney is cleaned, the appliance can be cleaned depending on the amount of dirt or tar.
3. Cleaning the blades
Be careful cleaning the blades as you can cut yourself. (Always wear gloves to prevent accident).
Don't use any aggressive cleaning products.
4. Cleaning the axis and the bearings
Make sure the axis can still spin freely on the bearings.
If necessary, replace the rubber cap.
5. Close the appliance and tighten up the bolt.



Pic. 5



Pic. 6

Note: If during maintenance one sees lots of tar, please verify the combustion of your stove/boiler. Tar on the Aspirotor could mean lots of residue in the chimney which could lead to fire in the chimney.

Maintenance: Changing the axis (You should always wear gloves)

1. Undo side butterfly nut and top bolt, remove rotating cowl from base to give easy access to install.
2. By removing the nut on top of the Aspirotor you can remove the «ball» from the axis.
3. Remove the rubber cap.
4. Using the special wrench for the Aspirotor (See «Aspirotor accessories» here under), remove the brazen head (see pic. 7).
5. Remove the axis from the ball bearings. Change the oil with another one having a good heat resistance. Then put the axis back in place. (See «Repair Kit» here under). Tighten up the brazen head and put the rubber cap back in place as well.



Pic. 7



Pic. 8

6. ASPIROTOR EXCHANGABLE PARTS AND ACCESSORIES



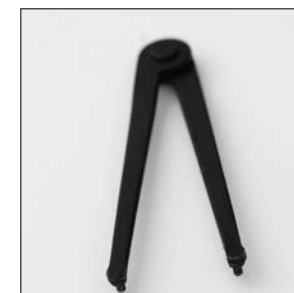
| ARTICLE | DESCRIPTION |
|----------|-------------|
| BCOM 150 | Ball 150 |
| BCOM 200 | Ball 200 |



| ARTICLE | DESCRIPTION |
|------------|----------------|
| 57 190 570 | REPAIR KIT 150 |
| 57 190 570 | REPAIR KIT 200 |



| ARTICLE | DESCRIPTION |
|---------|-------------|
| AP008 | Hooks |
| AP009 | Fasteners |



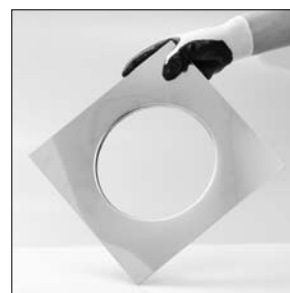
| ARTICLE | DESCRIPTION |
|---------|-------------|
| CLESPE | Wrench |



| ARTICLE | DESCRIPTION |
|---------|-------------|
| AP056 | Cap |



| ARTICLE | DESCRIPTION |
|---------|-------------|
| CA001 | Box |

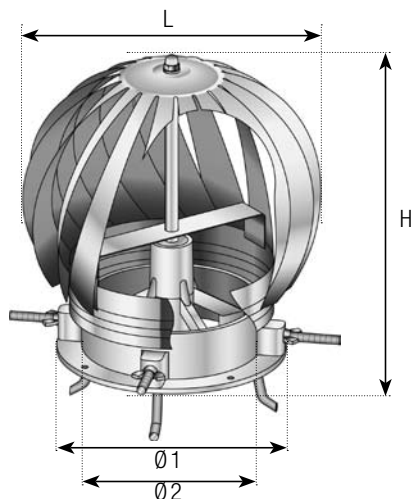


| ARTICLE | DESCRIPTION |
|------------|-----------------------------|
| 57 ... xxx | PAT – Stainless steel plate |



| ARTICLE | DESCRIPTION |
|-----------|--|
| 57... 567 | PAM – Therm Inox adapter (Ø to be confirmed) |

7. TECHNICAL SHEET



| | | ASPIROTOR 150 | ASPIROTOR 200 |
|--------------------------|----|-----------------------|---------------|
| HEIGHT | H | 292 | 310 |
| LENGTH | L | 210 | 260 |
| SUPPORTING FRAME | Ø1 | 210 | 260 |
| CHIMNEY DIAMETER | Ø2 | 157 | 208 |
| T° max (Chimney exhaust) | | 250 °C | |
| Max wind speed | | 120 to 150 km/h | |
| Material | | 1.4301Stainless Steel | |
| Supporting frame | | Moulded aluminium | |
| Box size (L x h x P) | | 300 x 330 x 300 | |

8. WARRANTY AND TECHNICAL VERIFICATION

WARRANTY

The Aspirotor has a 2 year manufacturer's guarantee against manufacturing default. Any claim must be made via the original place of purchase and in all circumstances a copy of your original invoice is required.

Warranty is not valid if the appliance has not been installed and used in accordance with this manual.

VERIFICATION

Certificate TÜV n°31.03.04

1. P-BAY09-0019

This test was performed under freezing weather conditions. It proves that the Aspirotor won't have any negative effect on natural draught.

2. CERIC tested

The label «Testé CERIC Tested» is awarded after strict material testing during and after the manufacturing process, and in accordance with ISO 9001: 2000.

COMFORMITY DECLARATION



Déclaration de conformité (EC declaration of conformity)



Conduits de fumée – EN 1856-1
Prescriptions pour les conduits de fumée métalliques
(Chimneys – EN 1856-1 - Requirements for metal chimneys)
Composant Terminal
(Top components)

| | |
|---|---|
| Appellation commerciale du produit - <i>Product name</i> : | ASPIROTOR |
| Distributeur - <i>Name of the manufacturer</i> : | POUJOLAT Belux SA |
| Description du produit - <i>Product type</i> : | Terminal Métallique |
| Nom et fonction de la personne habilitée - <i>Name and position of empowered person</i> : | M. Roland OGNIBENE – Administrateur Délégué |
| Organisme notifié - <i>Name of the notified body</i> : | / |
| Numéro de certificat - <i>Certificate number</i> | / |
| Site de production - <i>Registered address of the manufacturer</i> | Nivelles (14000) – Belgique |
| Année de délivrance - <i>Issue date</i> | 2010 |



POUJOLAT BELUX

2010
EN 1856-1

Composants de conduit de fumée

Elément terminal

Perte d'énergie mécanique

Coefficient de perte d'énergie mécanique : 1.6

| Caractéristiques générales - <i>Characteristics</i> | | Document de référence <i>Documents of reference</i> |
|---|-----------|--|
| Nom du produit - <i>Product name</i> | ASPIROTOR | |
| Composant terminal (Top components) • Perte d'énergie mécanique - <i>Flow resistance</i> | 1.6 | Rapport du TÜV du 31.03.04 P-BAY09-0019 |

WWW.POUJOLAT.COM