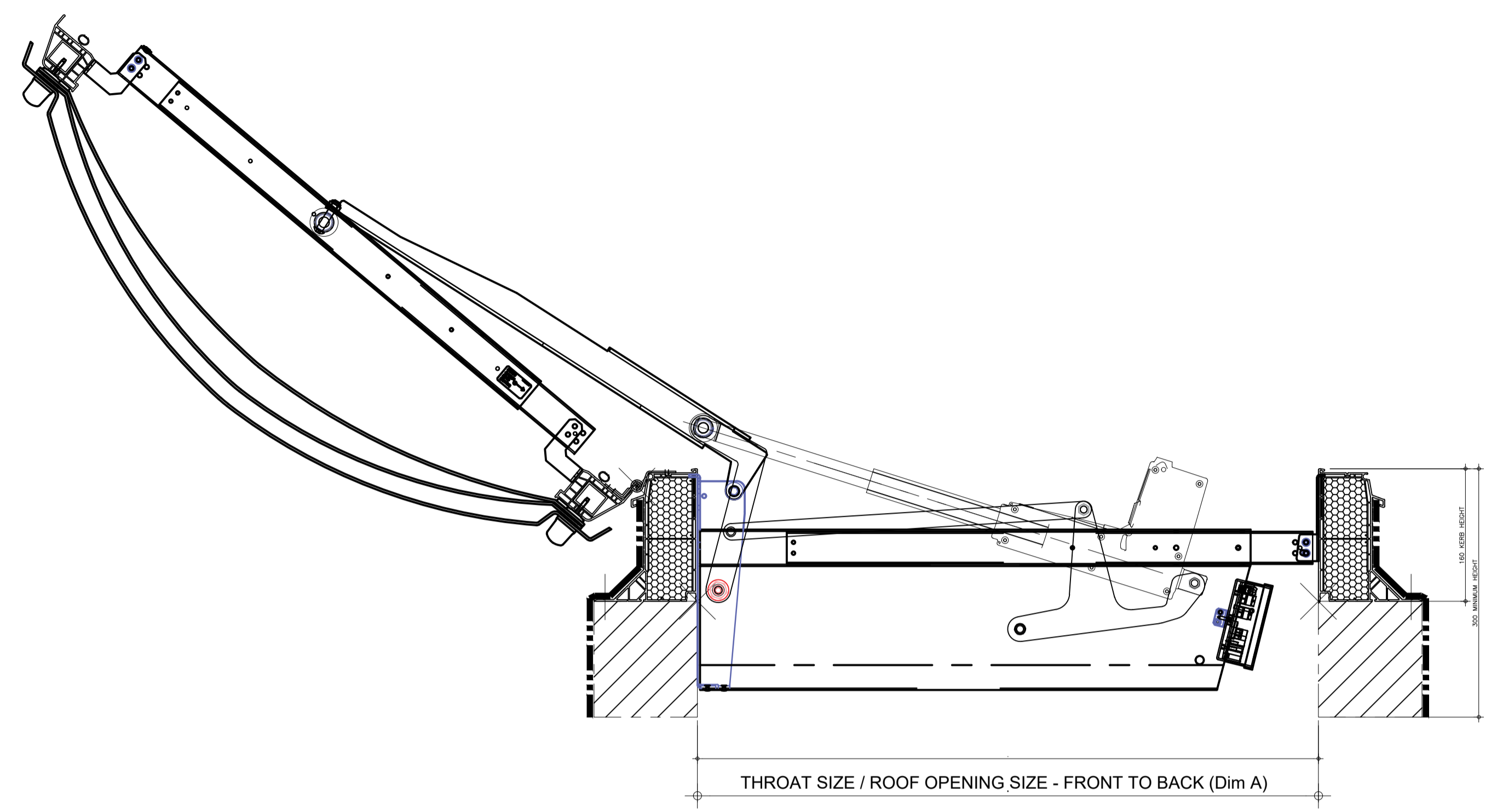
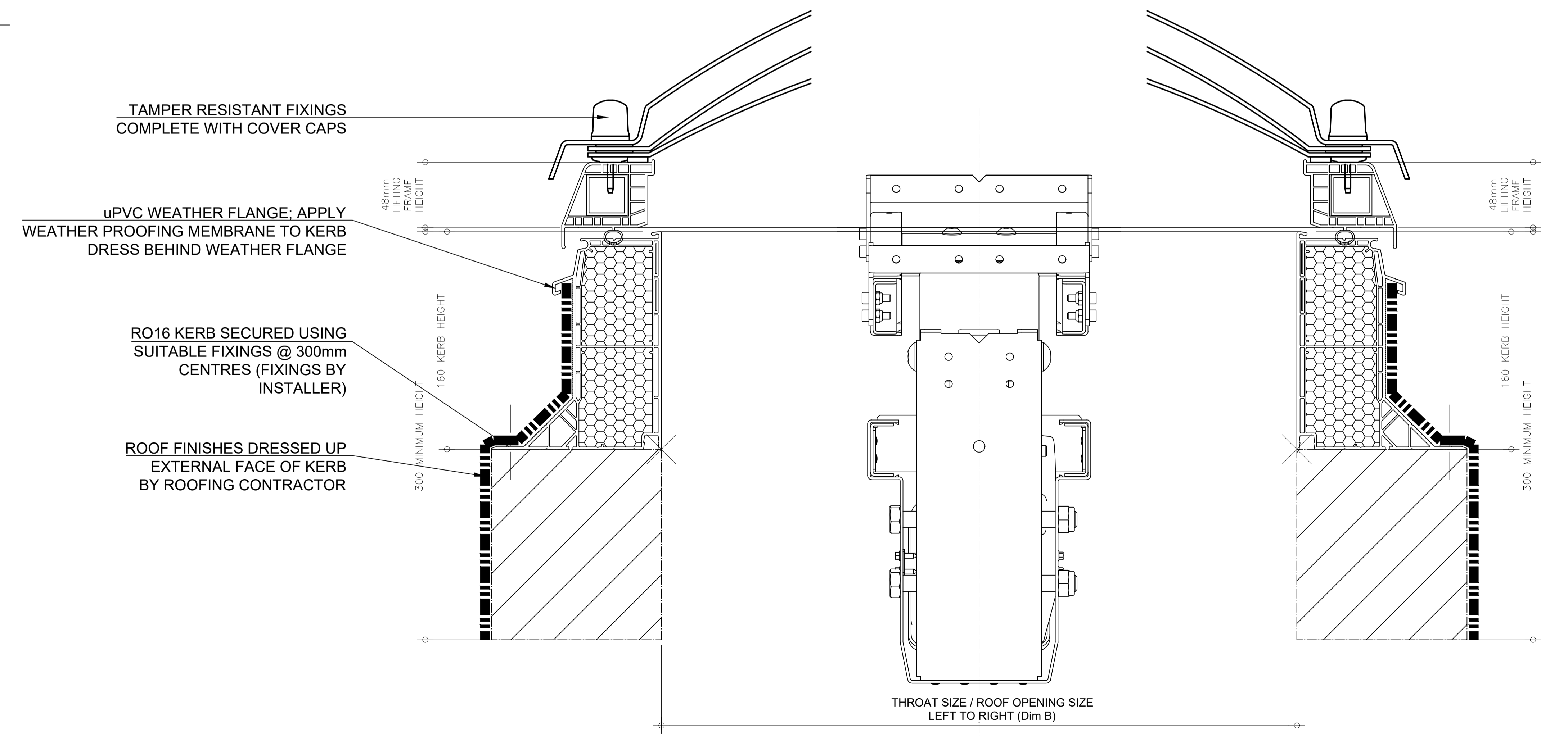


PLAN VIEW ON AOV
1no REQUIRED AS SHOWN



SECTION B - B



SECTION A - A

Notes:
All dimensions must be checked on site and not scaled from this drawing.

Status Abbreviations:
P = Preliminary Issue
C = Construction Issue
I = For Information Only

A = For Approval / Comments
AM = As Manufactured

RO16 VERTICAL AOV SPEC	
Quantity of Rooflight(s)	1no
Throat / roof opening - front to back (mm)	Dim A
Throat / roof opening - left to right (mm)	Dim B

Rev.	Date	Amendment	Drawn	Chkd.	Appd.

COXDOME

Unit A1
Link One Industrial Park
George Henry Road
Great Bridge
DY4 7BU

Tel: 0121 530 4230
Web: www.coxdome.co.uk

Client

Contract Title

Drawing Title

**Automatic Opening Smoke Vent
Insulated, Vertical Base Kerb
Max Standard Unit Size**

Drawn	Date	Scale	Status
JS	12/04/23	1:10, 1:2 @ A1	I
Checked	Date	Work Package Number	
--	--		
Works Element			Rev.
Department			
TEC			
Xtralis Drawing No.			
CD-RO16-C-SHEV-SS/001			