



ALU SERIES

ALU Series pedestals specifically designed for high-rise buildings where **high fire resistance** is demanded.



EUROCLASS

A1 ✓

A2

B

C

D

E

F

NEW!



ALU Series

Where to use

Professional usage

Pedestals ALU Series for specially designed high-rise buildings where high fire resistance is demanded.

Can be used on commercial projects that need to meet a fire classification of construction products & building elements. Steel / Aluminium material with a high weight resistance. Height adjustable with a range from 1 4/7" up to 7 7/8" (from 40 up to 200 mm).

ALU Series has a built in self-levelling head. This self levelling head allows to achieve a completely flat surface without any additional accessories.



Fully non-combustible

Made from 100% class A1 material - steel and aluminium.



Self-levelling

Self-levelling up to 6% without additional accessories.



Height adjustment

Smooth height adjustment.



Durability

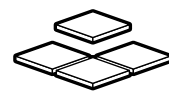
Made of steel and aluminium without plastic or rubber elements.



High weight resistance

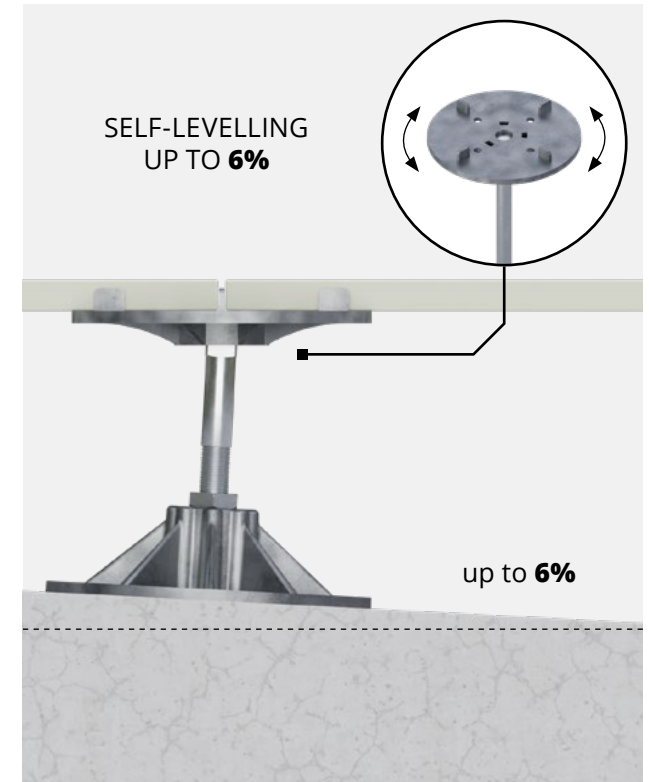
Pedestals has a huge weight tolerance (2000 kg).

PAVING TILES



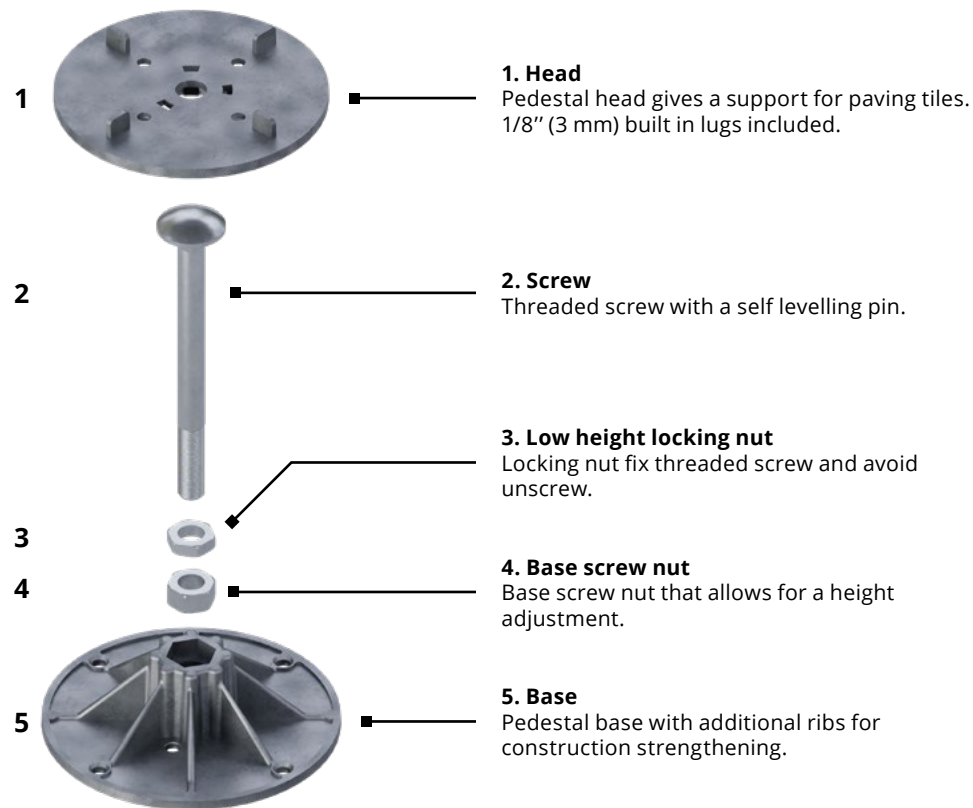
Paving tiles

ALU Series has built in 1/8 (3mm) spacers.



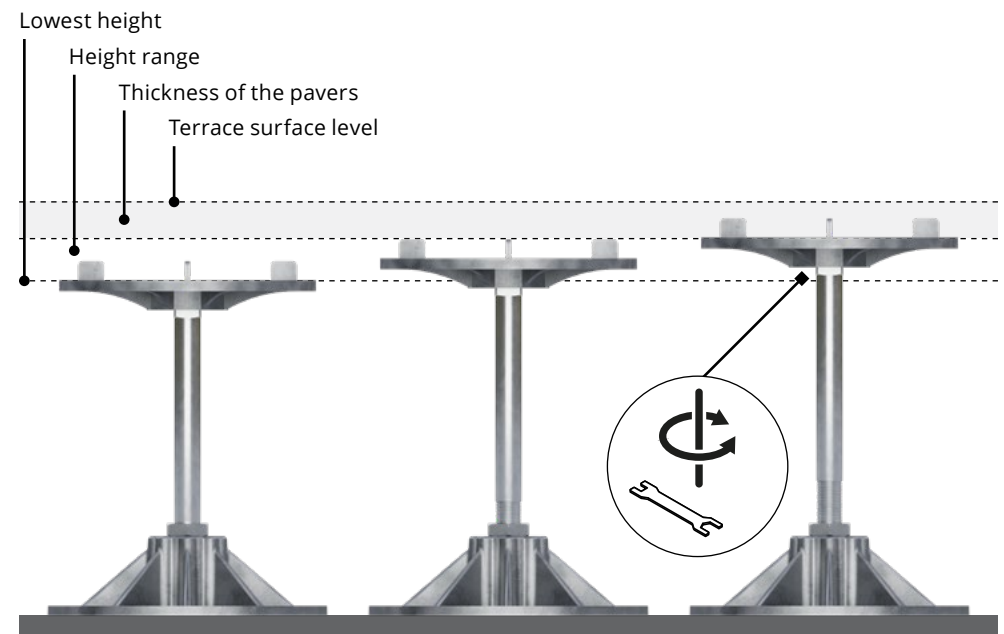
Consists of

ALU Series pedestals were designed for a high demand exterior applications and fire resistance.

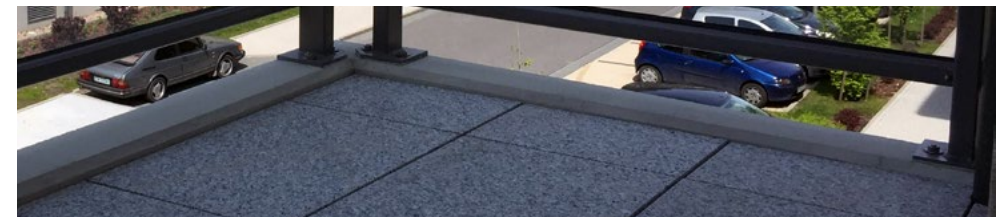


Smooth height adjustment

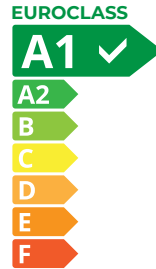
ALU Series pedestals have a smooth height adjustment.



Paving tiles



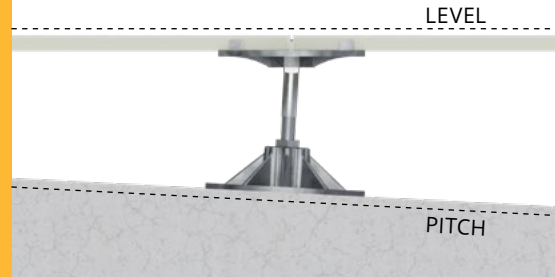
1



Fire resistance

The structure of the pedestals is made entirely of fireproof materials, safety class EURO A1. The pedestals have no plastic and rubber elements.

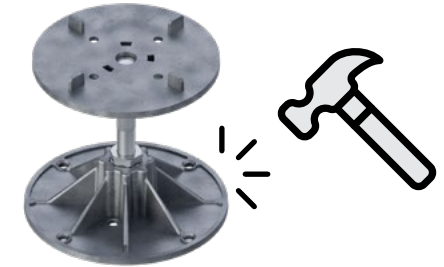
2



Self levelling

ALU pedestals have a built-in self-levelling head. They automatically level slopes up to 6%. Self-leveling is carried out in all directions without the use of additional accessories.

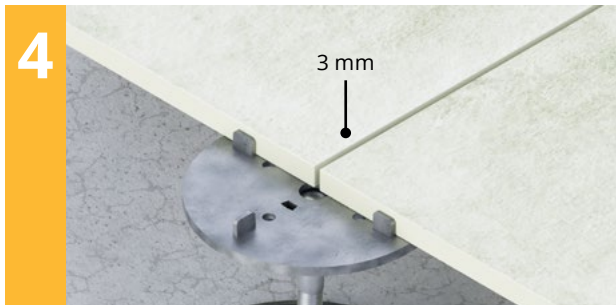
3



Durability

ALU pedestals are resistant to mechanical damage and cracks. They are also resistant to chemical agents. They are used in places with particularly heavy pedestrian traffic.

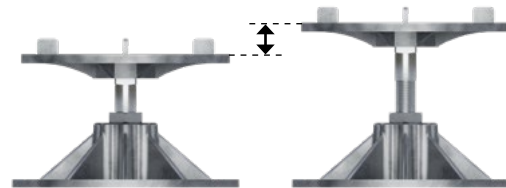
4



Gap space

ALU pedestals have a built-in spacer lugs which creates a 1/8" (3 mm) gap between tiles.

5



Smooth height adjustment

Smooth height adjustment allows for a precise height adjustment in a range between 1 4/7" - 7 7/8" (40-200 mm).

6



High weight resistance

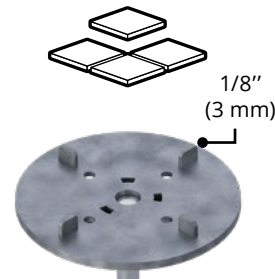
The ALU Series is characterized by a very high load capacity factor. The wide base prevents point loads on the ground, ensuring proper distribution of the terrace weight.

ALU Series

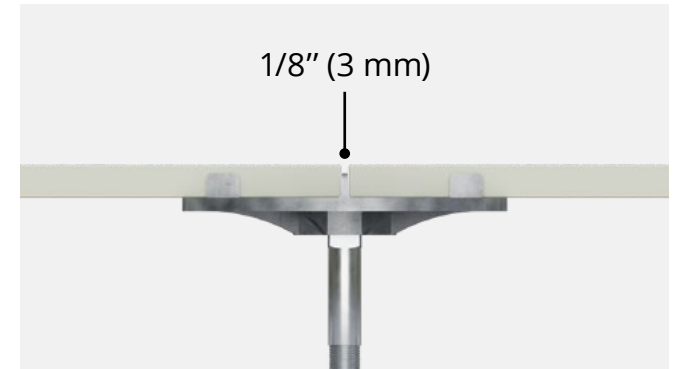
ALU series pedestals



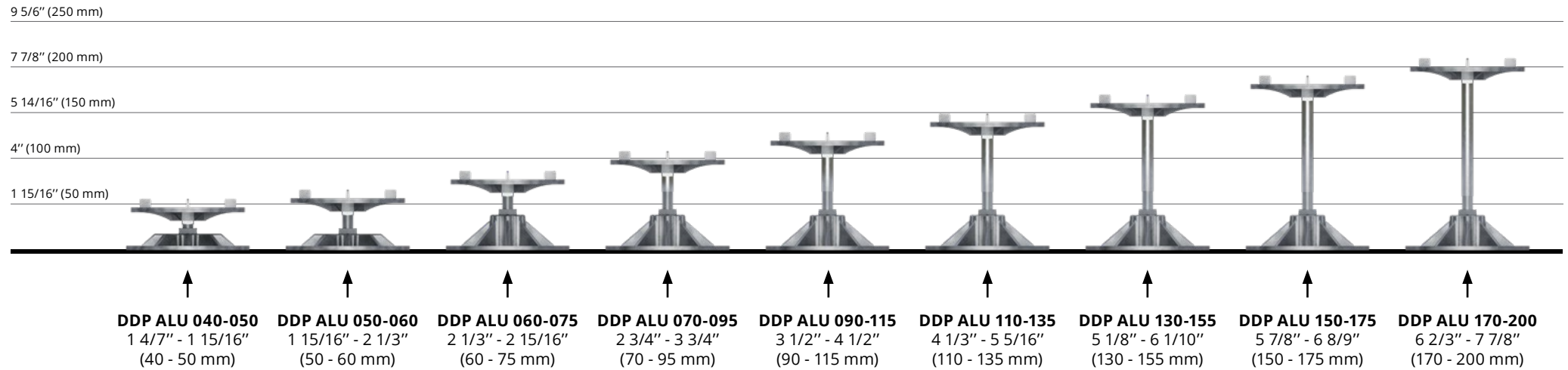
FOR TILES



Built in spacer lugs
Gap spacers
width 1/8" (3 mm)



ALU Series - height from **1 4/7"** up to **7 7/8"** (from **40** up to **200** mm)



ALU Series

ALU series pedestals

Non combustible pedestal **ALU 040-050**



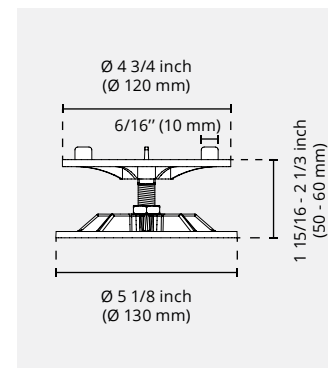
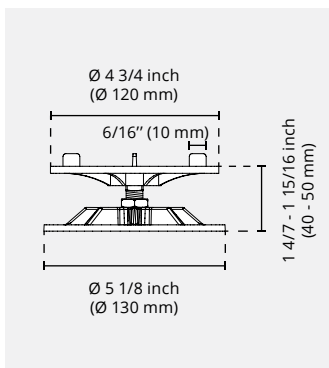
Non combustible pedestal **ALU 050-060**



Name	Non combustible pedestal ALU 040-050
Application	• for tiles
Short name	DDP ALU 040-050
Code	• spacer 1/8 inch (3 mm): 10991
Pedestal height range	1 4/7 - 1 15/16 inch (40 - 50 mm)
Height adjustment	smooth
Self levelling	up to 6%
Pedestal dimensions	5 1/8 × 5 1/8 × (1 4/7 - 1 15/16) inch (130 × 130 × (40 - 50) mm)
Pedestal load capacity	2000 kg
Material	aluminium, steel
Resistance class	EUROCLASS A1 PN-EN 13501-1 BS-EN 13501-1
Colour	Metal silver
Where to use	<ul style="list-style-type: none"> • external decking application • interior raised floors
Subsurface	<ul style="list-style-type: none"> • hard subsurface • sensitive subsurface (with protection pad) • sloped surface
Included	<ul style="list-style-type: none"> • Gap spacers 1/8" (3 mm) • Non combustible pedestal ALU 040-050



Name	Non combustible pedestal ALU 050-060
Application	• for tiles
Short name	DDP ALU 050-060
Code	• spacer 1/8 inch (3 mm): 10992
Pedestal height range	1 15/16 - 2 1/3 inch (50 - 60 mm)
Height adjustment	smooth
Self levelling	up to 6%
Pedestal dimensions	5 1/8 × 5 1/8 × (1 15/16 - 2 1/3) inch (130 × 130 × (50 - 60) mm)
Pedestal load capacity	2000 kg
Material	aluminium, steel
Resistance class	EUROCLASS A1 PN-EN 13501-1 BS-EN 13501-1
Colour	Metal silver
Where to use	<ul style="list-style-type: none"> • external decking application • interior raised floors
Subsurface	<ul style="list-style-type: none"> • hard subsurface • sensitive subsurface (with protection pad) • sloped surface
Included	<ul style="list-style-type: none"> • Gap spacers 1/8" (3 mm) • Non combustible pedestal ALU 050-060



ALU Series

ALU series pedestals



Non combustible pedestal **ALU 060-075**



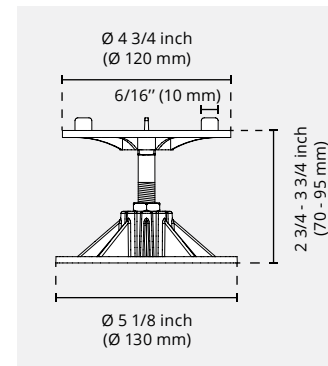
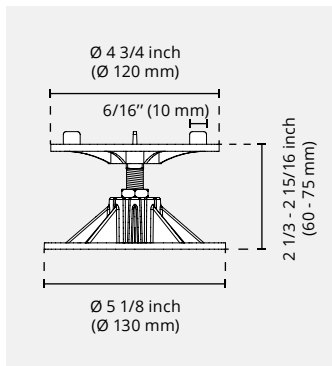
Non combustible pedestal **ALU 070-095**



Name	Non combustible pedestal ALU 060-075
Application	• for tiles
Short name	DDP ALU 060-075
Code	• spacer 1/8 inch (3 mm): 10993
Pedestal height range	2 1/3 - 2 15/16 inch (60 - 75 mm)
Height adjustment	smooth
Self levelling	up to 6%
Pedestal dimensions	5 1/8 × 5 1/8 × (2 1/3 - 2 15/16) inch (130 × 130 × (60 - 75) mm)
Pedestal load capacity	2000 kg
Material	aluminium, steel
Resistance class	EUROCLASS A1 PN-EN 13501-1 BS-EN 13501-1
Colour	Metal silver
Where to use	• external decking application • interior raised floors
Subsurface	• hard subsurface • sensitive subsurface (with protection pad) • sloped surface
Included	• Gap spacers 1/8" (3 mm) • Non combustible pedestal ALU 060-075



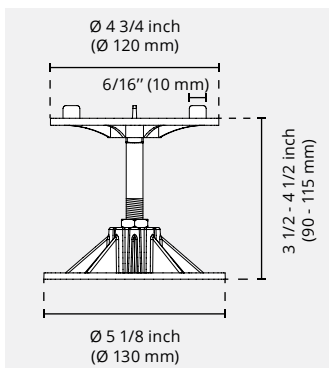
Name	Non combustible pedestal ALU 070-095
Application	• for tiles
Short name	DDP ALU 070-095
Code	• spacer 1/8 inch (3 mm): 10994
Pedestal height range	2 3/4 - 3 3/4 inch (70 - 95 mm)
Height adjustment	smooth
Self levelling	up to 6%
Pedestal dimensions	5 1/8 × 5 1/8 × (2 3/4 - 3 3/4) inch (130 × 130 × (70 - 95) mm)
Pedestal load capacity	2000 kg
Material	aluminium, steel
Resistance class	EUROCLASS A1 PN-EN 13501-1 BS-EN 13501-1
Colour	Metal silver
Where to use	• external decking application • interior raised floors
Subsurface	• hard subsurface • sensitive subsurface (with protection pad) • sloped surface
Included	• Gap spacers 1/8" (3 mm) • Non combustible pedestal ALU 070-095



Non combustible pedestal **ALU 090-115**



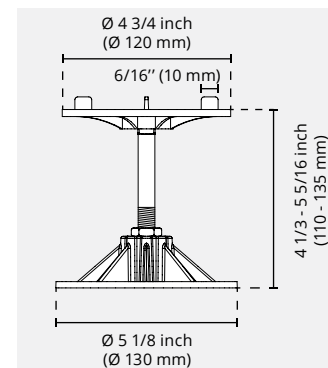
Name	Non combustible pedestal ALU 090-115
Application	• for tiles
Short name	DDP ALU 090-115
Code	• spacer 1/8 inch (3 mm): 10995
Pedestal height range	3 1/2 - 4 1/2 inch (90 - 115 mm)
Height adjustment	smooth
Self levelling	up to 6%
Pedestal dimensions	5 1/8 × 5 1/8 × (3 1/2 - 4 1/2) inch (130 × 130 × (90 - 115) mm)
Pedestal load capacity	2000 kg
Material	aluminium, steel
Resistance class	EUROCLASS A1 PN-EN 13501-1 BS-EN 13501-1
Colour	Metal silver
Where to use	• external decking application • interior raised floors
Subsurface	• hard subsurface • sensitive subsurface (with protection pad) • sloped surface
Included	• Gap spacers 1/8" (3 mm) • Non combustible pedestal ALU 090-115



Non combustible pedestal **ALU 110-135**



Name	Non combustible pedestal ALU 110-135
Application	• for tiles
Short name	DDP ALU 110-135
Code	• spacer 1/8 inch (3 mm): 10996
Pedestal height range	4 1/3 - 5 5/16 inch (110 - 135 mm)
Height adjustment	smooth
Self levelling	up to 6%
Pedestal dimensions	5 1/8 × 5 1/8 × (4 1/3 - 5 5/16) inch (130 × 130 × (110 - 135) mm)
Pedestal load capacity	2000 kg
Material	aluminium, steel
Resistance class	EUROCLASS A1 PN-EN 13501-1 BS-EN 13501-1
Colour	Metal silver
Where to use	• external decking application • interior raised floors
Subsurface	• hard subsurface • sensitive subsurface (with protection pad) • sloped surface
Included	• Gap spacers 1/8" (3 mm) • Non combustible pedestal ALU 110-135



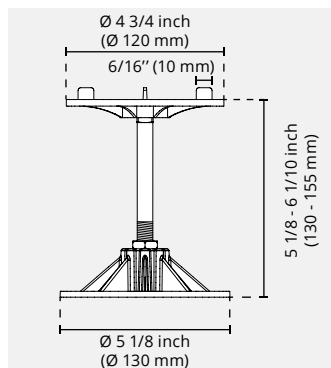
ALU Series

ALU series pedestals

Non combustible pedestal **ALU 130-155**



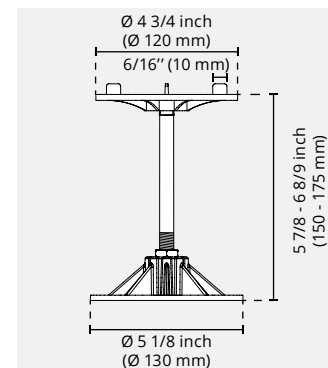
Name	Non combustible pedestal ALU 130-155
Application	• for tiles
Short name	DDP ALU 130-155
Code	• spacer 1/8 inch (3 mm): 10997
Pedestal height range	5 1/8 - 6 1/10 inch (130 - 155 mm)
Height adjustment	smooth
Self levelling	up to 6%
Pedestal dimensions	5 1/8 × 5 1/8 × (5 1/8 - 6 1/10) inch (130 × 130 × (130 - 155) mm)
Pedestal load capacity	2000 kg
Material	aluminium, steel
Resistance class	EUROCLASS A1 PN-EN 13501-1 BS-EN 13501-1
Colour	Metal silver
Where to use	• external decking application • interior raised floors
Subsurface	• hard subsurface • sensitive subsurface (with protection pad) • sloped surface
Included	• Gap spacers 1/8" (3 mm) • Non combustible pedestal ALU 130-155



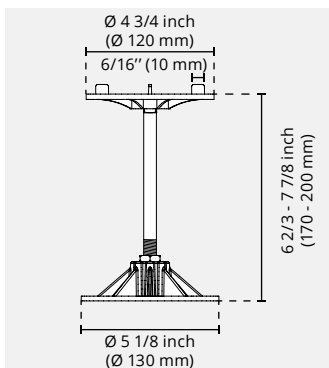
Non combustible pedestal **ALU 150-175**



Name	Non combustible pedestal ALU 150-175
Application	• for tiles
Short name	DDP ALU 150-175
Code	• spacer 1/8 inch (3 mm): 10998
Pedestal height range	5 7/8 - 6 8/9 inch (150 - 175 mm)
Height adjustment	smooth
Self levelling	up to 6%
Pedestal dimensions	5 1/8 × 5 1/8 × (5 7/8 - 6 8/9) inch (130 × 130 × (150 - 175) mm)
Pedestal load capacity	2000 kg
Material	aluminium, steel
Resistance class	EUROCLASS A1 PN-EN 13501-1 BS-EN 13501-1
Colour	Metal silver
Where to use	• external decking application • interior raised floors
Subsurface	• hard subsurface • sensitive subsurface (with protection pad) • sloped surface
Included	• Gap spacers 1/8" (3 mm) • Non combustible pedestal ALU 150-175



Non combustible pedestal **ALU 170-200**



Name	Non combustible pedestal ALU 170-200
Application	• for tiles
Short name	DDP ALU 170-200
Code	• spacer 1/8 inch (3 mm): 10999
Pedestal height range	6 2/3 - 7 7/8 inch (170 - 200 mm)
Height adjustment	smooth
Self levelling	up to 6%
Pedestal dimensions	5 1/8 × 5 1/8 × (6 2/3 - 7 7/8) inch (130 × 130 × (170 - 200) mm)
Pedestal load capacity	2000 kg
Material	aluminium, steel
Resistance class	EUROCLASS A1 PN-EN 13501-1 BS-EN 13501-1
Colour	Metal silver
Where to use	• external decking application • interior raised floors
Subsurface	• hard subsurface • sensitive subsurface (with protection pad) • sloped surface
Included	• Gap spacers 1/8" (3 mm) • Non combustible pedestal ALU 170-200