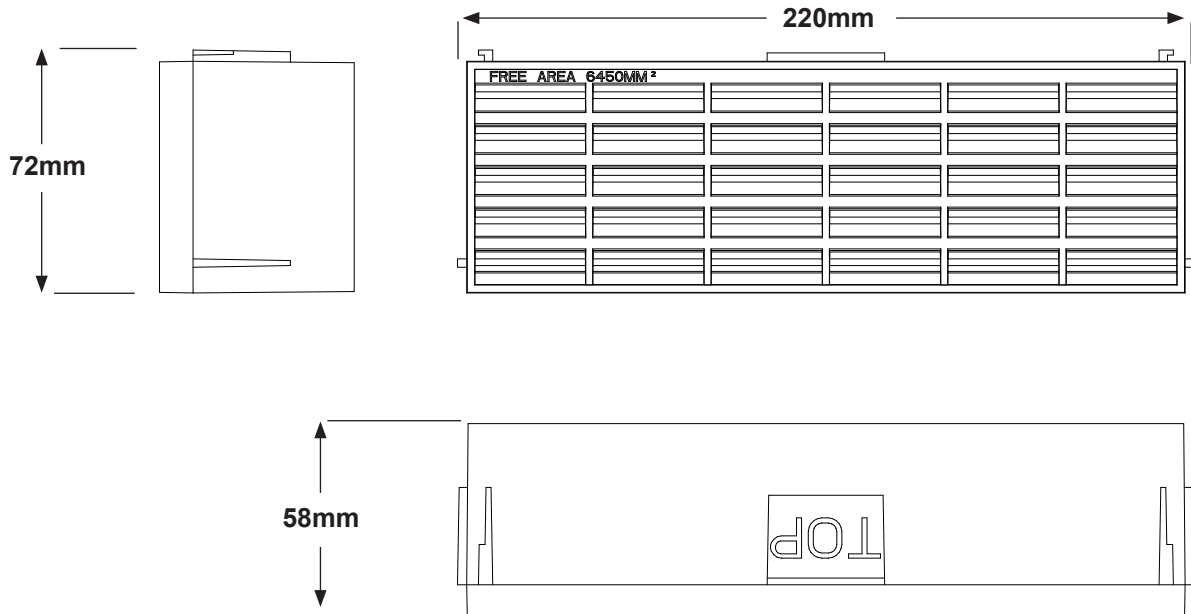
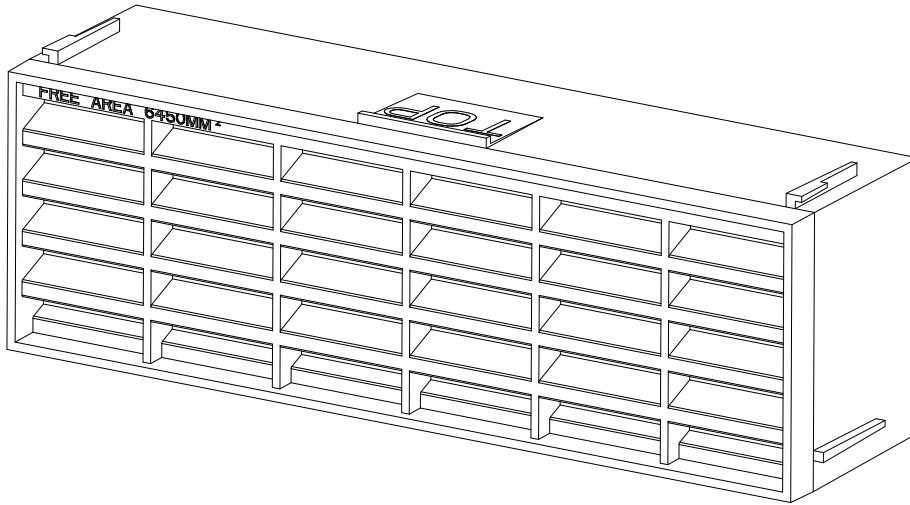


**Air Brick**

CODE **G930**



**Description**

The G930 Combination Airbrick has been designed to provide high levels of ventilation through walls and into under floor voids.

The airbrick incorporates a front mounted grill which consists of evenly spaced openings specifically sized to prohibit large insects gaining access but wide enough not to be blocked by debris, paint or water droplets.

A mortar key around the fabric of the airbrick ensures secure adhesion to the building fabric. While a clip together facility provides a choice of ventilation sizes.

<b>Part Weight</b>	0.12 kg
<b>Packing Details</b>	Packed in 20
<b>Material</b>	Polypropylene
<b>Colours</b>	Terracotta, Buff, Brown, Blue/Black, White, Grey
<b>Manufacturing Process</b>	Injection Moulded
<b>Free Area</b>	6450 mm <sup>2</sup>

MANTHORPE BUILDING PRODUCTS LTD  
 MANTHORPE HOUSE  
 BRITAIN DRIVE  
 CODNOR GATE BUSINESS PARK  
 RIPLEY  
 DERBYSHIRE DE5 3ND

TEL: 01773 303 000  
 FAX: 01773 303 300  
 EMAIL: customercare@manthorpebp.co.uk  
 WEB www.manthorpebp.co.uk

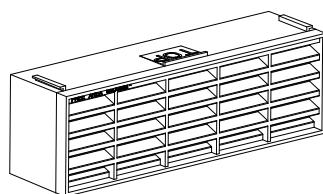
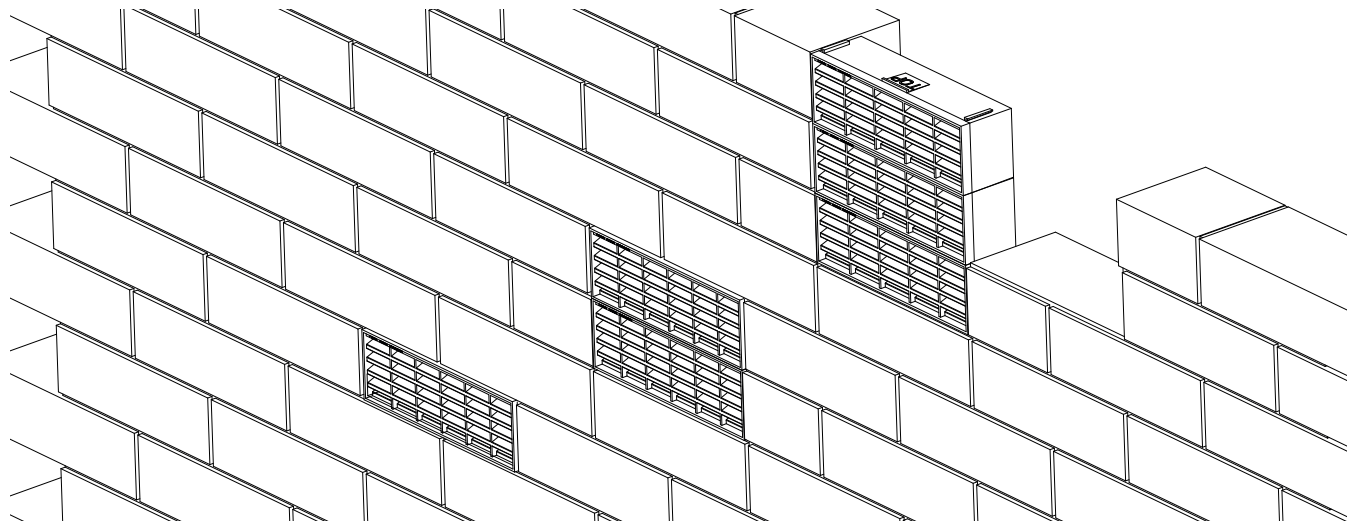
DRN J.B. Date 20/06/19  
 The company maintains a policy of continuous development of its product range and reserves the right to amend the specification without notice.

DRG No  
**MBP 8316**  
 PAGE 1 OF 2

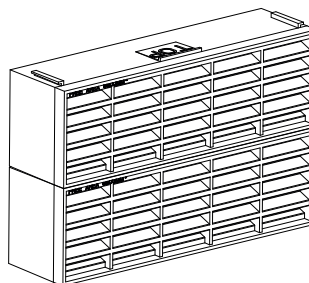
Issue  
**D**

**Air Brick**

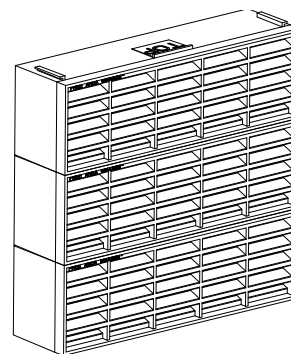
CODE **G930**



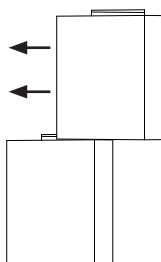
9"x3"



9"x6"



9"x9"



**Fitting Instructions**

The G930 Combination Airbrick should be built into the brick course as per normal practice although care should be taken to keep the airflow passage clear from mortar droppings.

The G930 Combination Airbrick is to be used in conjunction with other products from the Manthorpe range to provide a complete through wall ventilation system. If the cavity has been bridged a suitable cavity tray should be fitted over the airbrick if above the D.P.C

**References**

- BRE: DIGEST 17/262
- BRE: Floors, Flooring
- DOE: Building Regs C4
- NHBC: Standards 5.2

MANTHORPE BUILDING PRODUCTS LTD  
 MANTHORPE HOUSE  
 BRITAIN DRIVE  
 CODNOR GATE BUSINESS PARK  
 RIPLEY  
 DERBYSHIRE DE5 3ND

TEL: 01773 303 000  
 FAX: 01773 303 300  
 EMAIL:  
 customercare@manthorpebp.co.uk  
 WEB  
 www.manthorpebp.co.uk

DRN J.B. Date 20/06/19

The company maintains a policy of continuous development of its product range and reserves the right to amend the specification without notice.

DRG No

**MBP 8316**

PAGE 2 OF 2

Issue

**D**