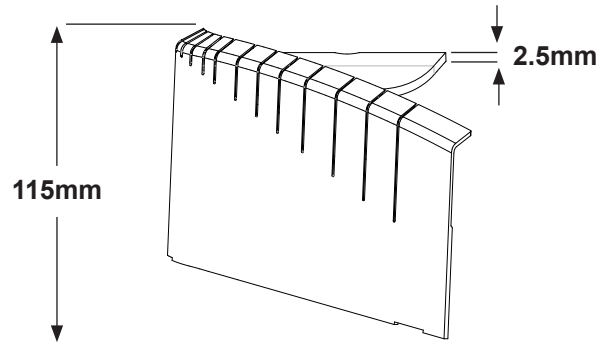
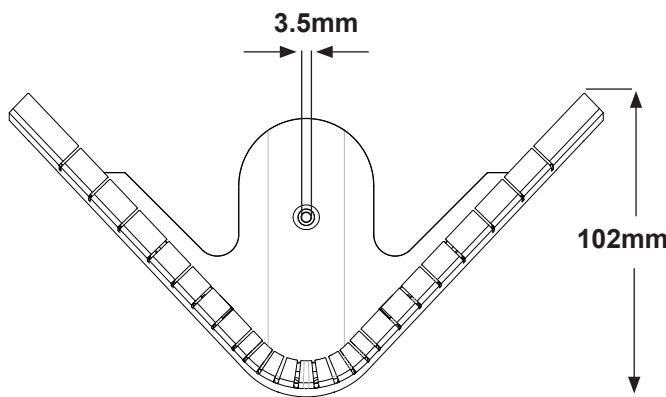
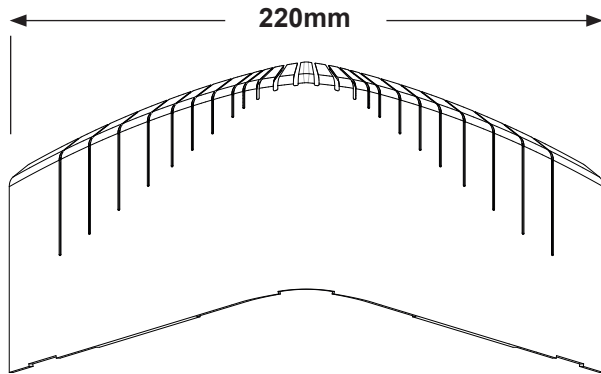


Hip End Closer

CODE **GDRH-HC**



Features

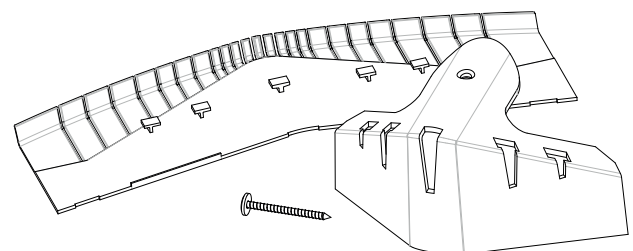
- Fits to all major angled or round hip tiles.
- Removes the need for mortar when using dry fix roofing tiles.
- Easy to fit.
- Lightweight.
- Available in black, terracotta, brown or buff.

Description

Part of the Manthorpe dry fix roofing range, the Hip End Closer is a cost effective dry fix alternative to mortaring in the end of a roll-out hip system, without resorting to expensive block end hip tiles.

The flexible front face allows the product to conform to any of the market leading hip tiles, providing a neat closing solution to the end of the hip roof without having to mix up a small amount of mortar for an otherwise completely dry fix system.

Part Weight	0.09 kg
Box Qty	10
Material	Polypropylene
Colours (front filler)	Black, Buff, Terracotta, Brown
References	
BSI: BS 5534:2014 Code of Practice for Slating and Tiling	



MANTHORPE BUILDING PRODUCTS LTD
 MANTHORPE HOUSE
 BRITAIN DRIVE
 CODNOR GATE BUSINESS PARK
 RIPLEY
 DERBYSHIRE DE5 3ND

TEL: 01773 303 000
 FAX: 01773 303 300
 EMAIL: customercare@manthorpebp.co.uk
 WEB www.manthorpebp.co.uk

DRN J.B. Date 20/06/19

The company maintains a policy of continuous development of its product range and reserves the right to amend the specification without notice.

DRG No

MBP 8314

Issue

B