

Flash Ventilator - Abutment Flashing - System Overview

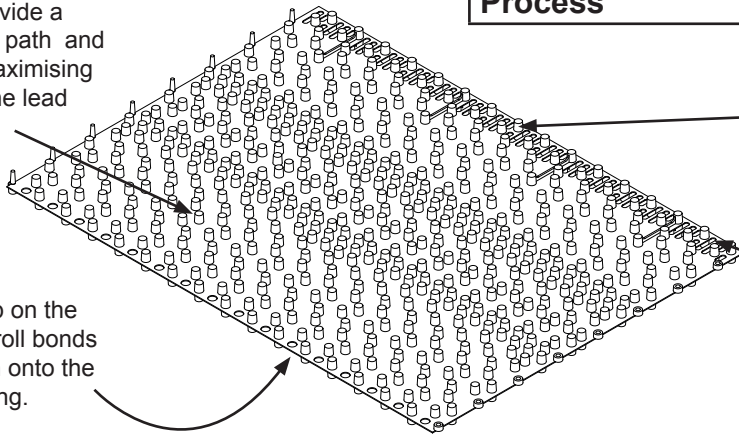
CODE **G1105**

Description

The flash vent is designed to provide a solution to the problem of ventilating a pitched roof abutment detail. Installation of the flash vent under the lead flashing provides a weather tight airflow path equivalent in area to a continuous opening of 5mm. The flexible nature of the flash vent enables quick and easy installation on all tile profiles, while the tortured path created by the pin array has also been designed to maximise support of the lead and provide an integral flyscreen.

Free Airflow	5,000mm ² /M Equivalent to a continuous 5mm gap
Roof Pitches	Lowest pitch 15° (Extra roll needed for pitches below 20°)
Packaging Details	1 x 3m Roll 10 Clips
Weight	2.4 kg per box
Material	EVA/Copper/Masic Sealant
Colour	Black
Manufacturing Process	Injection Moulding

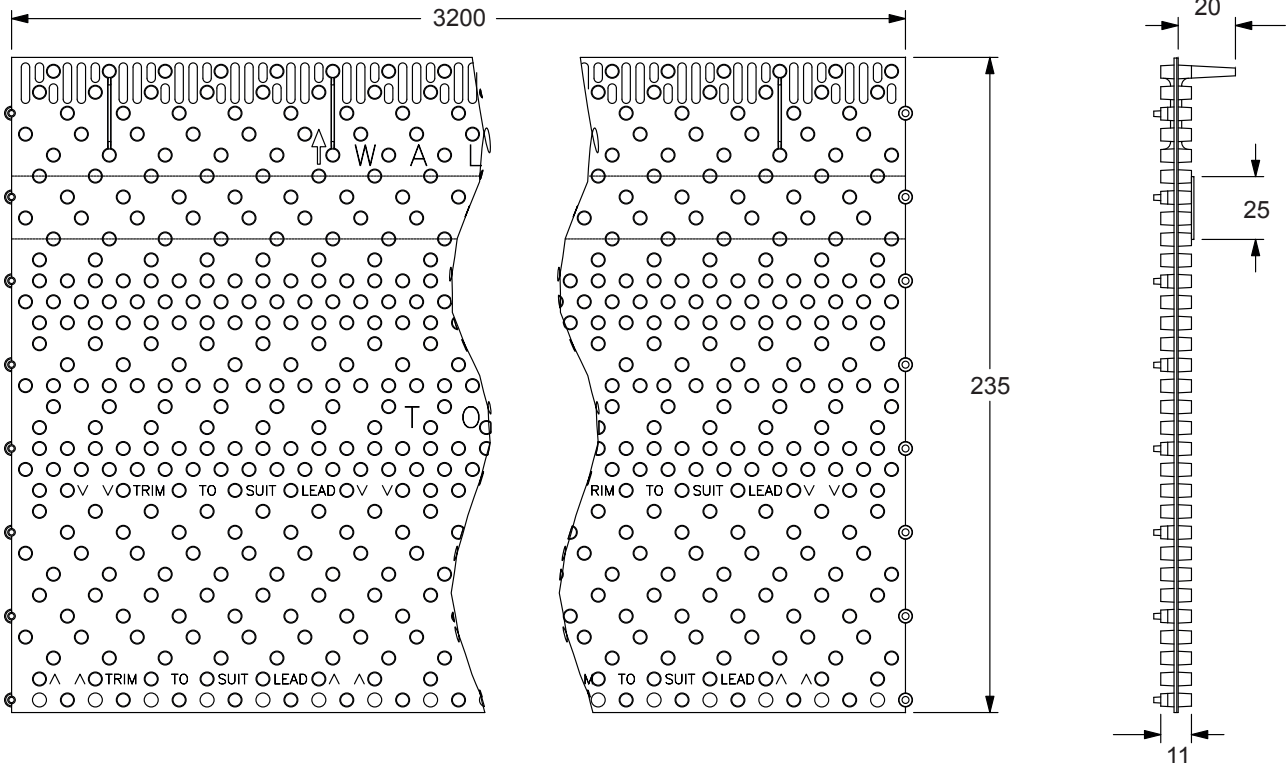
The array of bumps is designed to provide a weathertight airflow path and flyscreen whilst maximising the support of the lead



The rear grille guarantees the airflow in instances where the back edge of the roll is flush against the wall

The mastic strip on the underside of the roll bonds the product down onto the roof covering.

Hook pins help to align the roll with the back edge of the tiles



MANTHORPE BUILDING PRODUCTS LTD
MANTHORPE HOUSE
BRITTAI DRIVE
CODNOR GATE BUSINESS PARK
RIPLEY
DERBYSHIRE DE5 3ND

TEL: 01773 303 000
FAX: 01773 303 300
EMAIL: customercare@manthorpebp.co.uk
WEB www.manthorpebp.co.uk

DRN B.H. Date 03.07.19
The company maintains a policy of continuous development of its product range and reserves the right to amend the specification without notice.

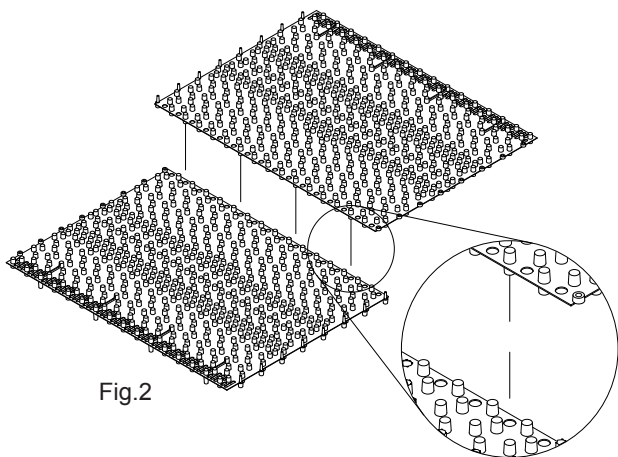
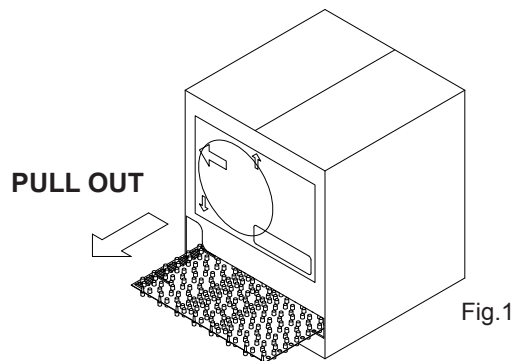
DRG No
MBP 8182
Sheet 1 of 3

Issue
C

Flash Ventilator - Abutment Flashing - System Overview

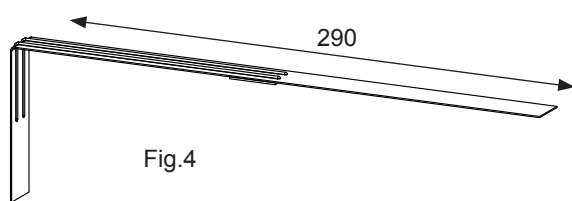
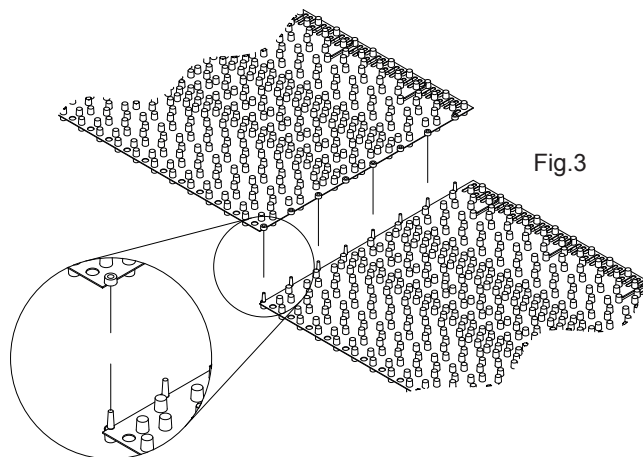
CODE G1105

The flash vent is supplied in a convenient dispensing box from which the required length of product can be rolled out onto the roof. Details on the box label help to orientate the box to ensure correct fitting. (Fig.1)

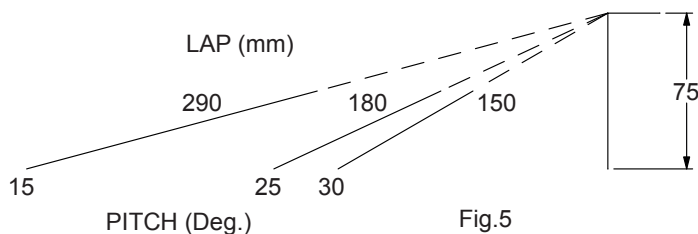


Roofs at lower pitches require a greater length of lead flashing in order to maintain a vertical weathering height of 75mm dressed down to the tiles. (As recommended by the Lead Sheet Association L.S.A.) If the length of lead required is greater than the width of a roll of flash vent then a 2nd roll needs to be connected to the first. This is achieved by connecting both front rows together as shown in (Fig.4) the 2nd roll is then trimmed in line with the front edge of the lead flashing as normal.

Any length offcut can be readily reused by connecting it to a new roll. The male and female connection pins on the ends of the offcut and the roll need to be aligned and then pressed together. This method of joining can also be used to link multiple rolls for use on longer abutments. (Fig.3)



Copper clips aid in the securing of the flash vent and lead flashing to the roof covering. (Fig.4)



All abutment flashings require the lead to be dressed a minimum of 150mm down the tiles. With this value increasing for pitches below 30°. To ensure the lead is dressed at least 150mm down the tiles the leading edge of the lead should fall in front of the upper row of text, behind which point the flash vent should not be cut. (Fig.5)

MANTHORPE BUILDING PRODUCTS LTD
 MANTHORPE HOUSE
 BRITTAIN DRIVE
 CODNOR GATE BUSINESS PARK
 RIPLEY
 DERBYSHIRE DE5 3ND

TEL: 01773 303 000
 FAX: 01773 303 300
 EMAIL: customercare@manthorpebp.co.uk
 WEB www.manthorpebp.co.uk

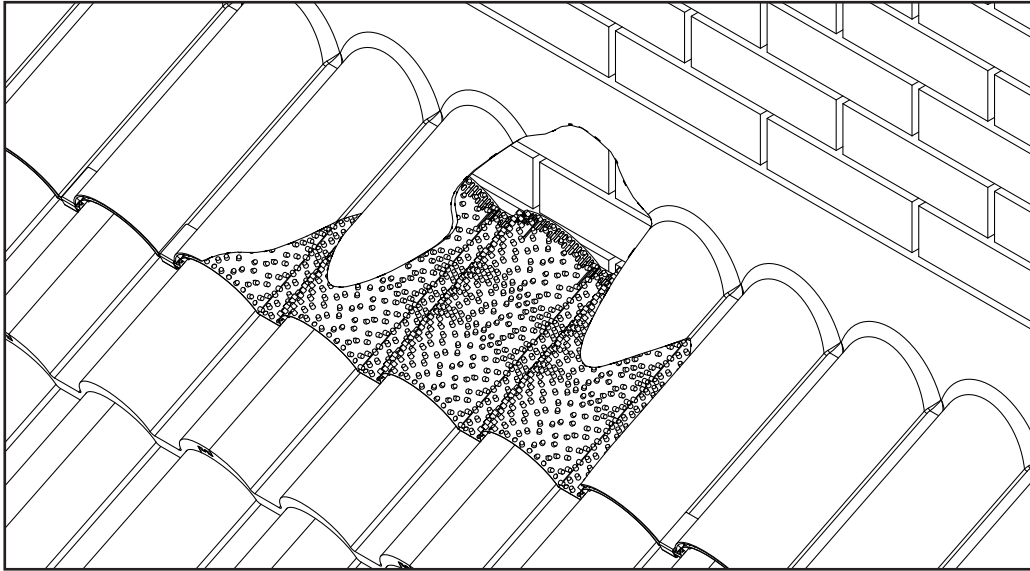
DRN B.H. Date 03.07.19
 The company maintains a policy of continuous development of its product range and reserves the right to amend the specification without notice.

DRG No
MBP 8182
 Sheet 2 of 3

Issue
C

Flash Ventilator - Abutment Flashing - System Overview

CODE G1105

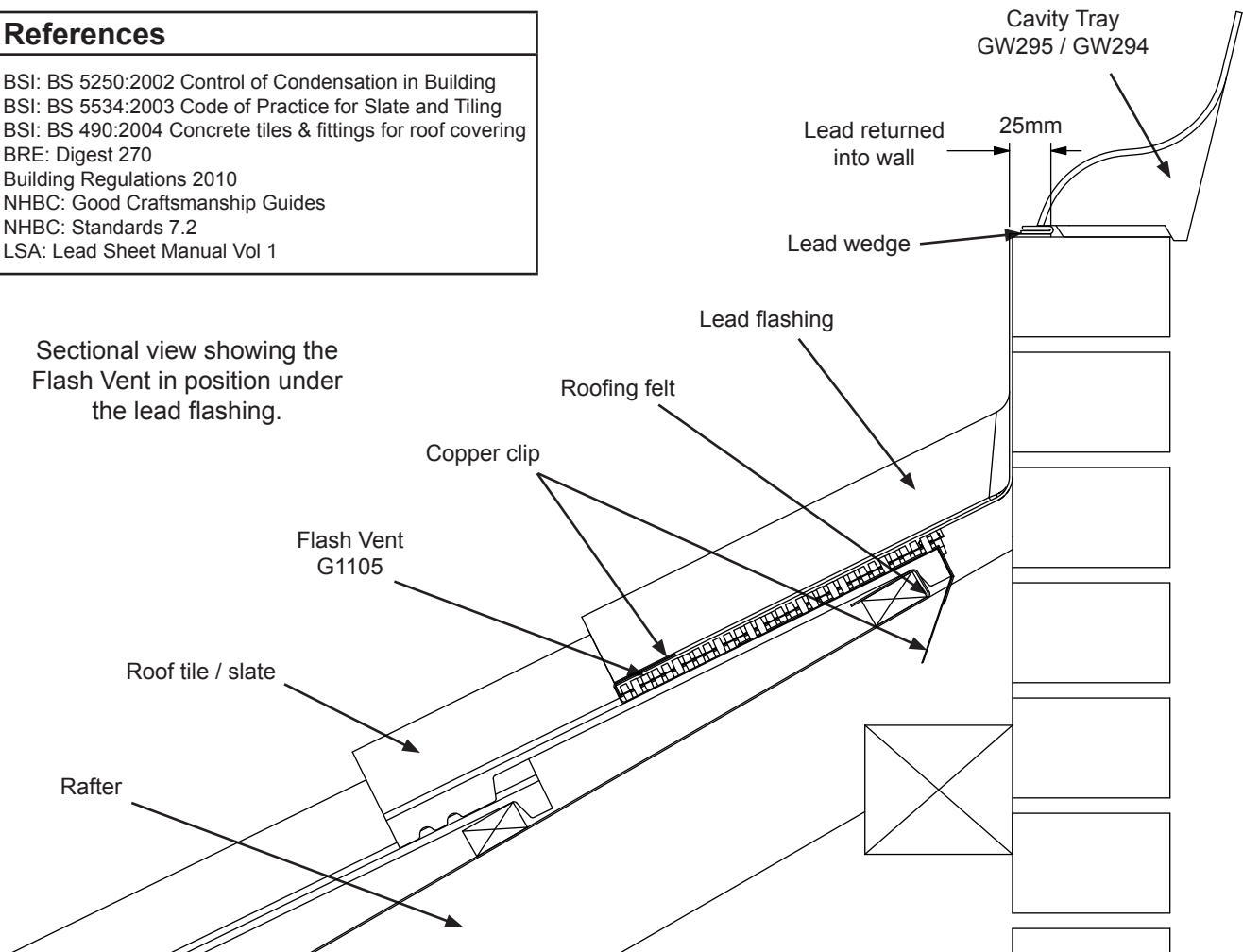


Pictorial view of the Flash Vent fitted over a profiled tile at a pitched roof abutment detail.

References

- BSI: BS 5250:2002 Control of Condensation in Building
- BSI: BS 5534:2003 Code of Practice for Slate and Tiling
- BSI: BS 490:2004 Concrete tiles & fittings for roof covering
- BRE: Digest 270
- Building Regulations 2010
- NHBC: Good Craftsmanship Guides
- NHBC: Standards 7.2
- LSA: Lead Sheet Manual Vol 1

Sectional view showing the Flash Vent in position under the lead flashing.



MANTHORPE BUILDING PRODUCTS LTD
 MANTHORPE HOUSE
 BRITTAIN DRIVE
 CODNOR GATE BUSINESS PARK
 RIPLEY
 DERBYSHIRE DE5 3ND

TEL: 01773 303 000
 FAX: 01773 303 300
 EMAIL: customer@manthorpebp.co.uk
 WEB www.manthorpebp.co.uk

DRN B.H. Date 03.07.19
 The company maintains a policy of continuous development of its product range and reserves the right to amend the specification without notice.

DRG No
MBP 8182
 Sheet 3 of 3

Issue
B