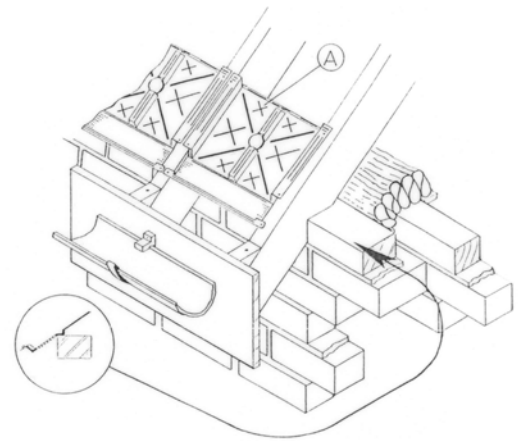
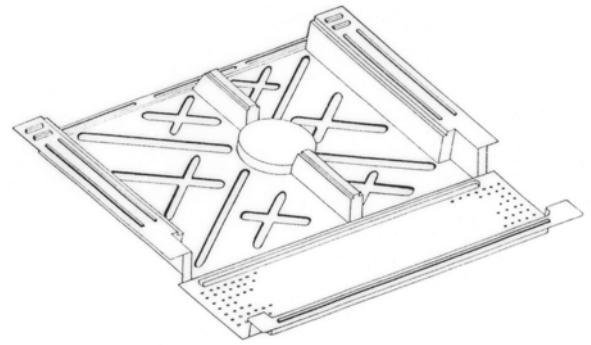
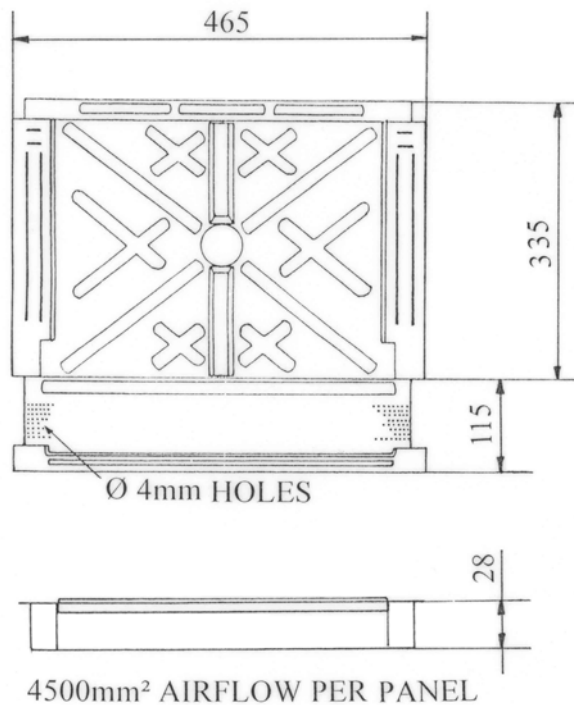


## Cross Flow Fly Screen Eaves Panel Ventilator

CODE **G455**



### Description:

The G455 Cross Flow Fly Screen Panel is designed for open eaves or cottage style situations and to provide a clear air passage between the roofs felt and loft insulation.

The fly screen section consists of evenly punched holes specifically designed to prohibit the entrance of large insects but wide enough not to be blocked by debris, paint or water droplets (see BS5250 section 6)

The G455 is suitable for 450mm rafter centres 400mm and 600mm versions are also available.

### Fitting Instructions:

The G455 Cross Flow Eaves Panel (A) should be positioned with its lower edge over lapping the wall plate and either nailed or stapled through the side fixing wings to the rafters ensuring that the loft insulation is firmly tucked into the eaves and around the wall plate as shown.

In certain low pitch situations two Cross Flow Eaves Panels will be required to ensure a clear air path over the insulation into the roof space.

Use in conjunction with other products from the Manthorpe range to provide a complete roof ventilation system.

COLOURS	Black
PACKING DETAILS	50 Panels per box
WEIGHT	5kg per box
MATERIAL	Lightweight Rigid PVC
MANUFACTURING PROCESS	Vacuum Formed
FREE AIRFLOW	10,000mm <sup>2</sup> /M equivalent to a continuous gap of 10mm

### References:

BRE: DIGEST 262/270  
 BSI: BS5250  
 DOE: Building Regs F2  
 NHBC: Good Practice Guide  
 NHBC: Standards 7.2

MANTHORPE BUILDING PRODUCTS LTD  
 MANTHORPE HOUSE  
 BRITAIN DRIVE  
 CODNOR GATE BUSINESS PARK  
 RIPLEY  
 DERBYSHIRE DE5 3ND

TEL: 01773 514 200  
 FAX: 01773 514 262  
 EMAIL: [sales@manthorpe.co.uk](mailto:sales@manthorpe.co.uk)  
 WEB: [www.manthorpe.co.uk](http://www.manthorpe.co.uk)

DRN M.A

Date 01.08.03

DRG No

Issue

The company maintains a policy of continuous development of its product range and reserves the right to amend the specification without notice.

**MBP 8019**

**A**