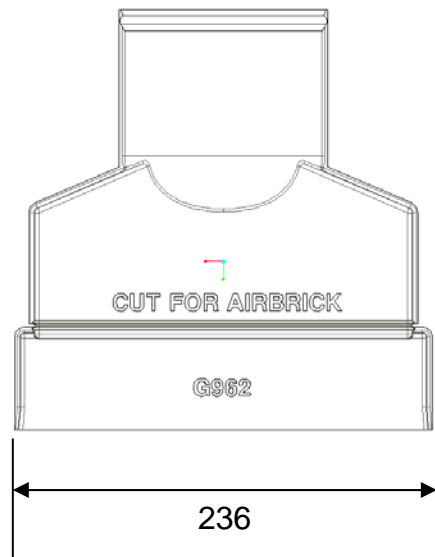
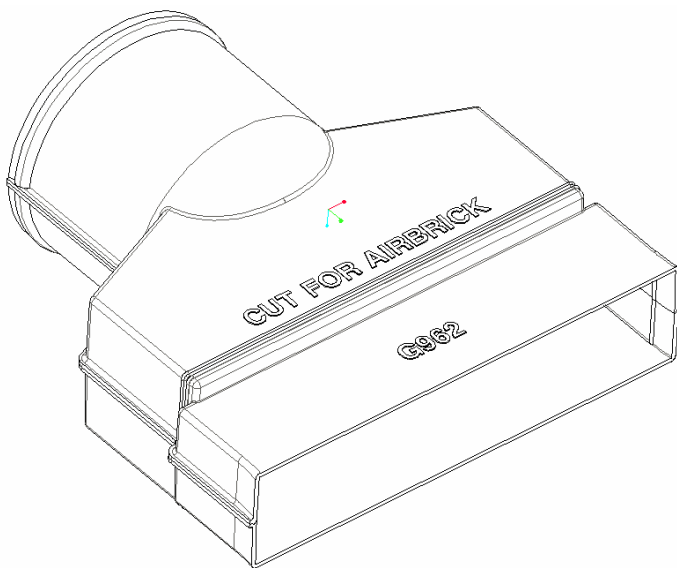
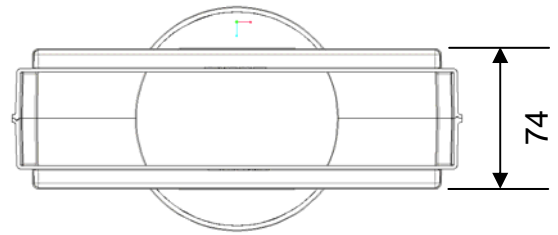
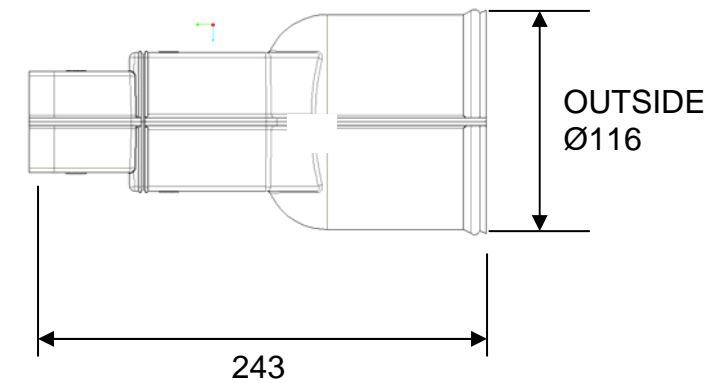


### Remote Void Ventilator

CODE **G962**



#### Description:

The G962 Remote Void Ventilator is designed to connect the G930 Air Brick or G960 Under Floor Vent to a 4" Round Pipe or alternatively Manthorpe's GRPA/1 Flexible Pipe.

The adapter fits directly onto the bottom of the G960 Under floor Vent and can be easily cut down between the pre moulded cut lines to fit the G930 Airbrick.

PACKING DETAILS	Packed in 10's per cardboard box
MATERIAL	HIPS
WEIGHT PER BOX	
MANUFACTURING PROCESS	Injection Moulded
COLOUR	Black
FREE AIRFLOW	8,800mm <sup>2</sup>

MANTHORPE BUILDING PRODUCTS LTD  
MANTHORPE HOUSE  
BRITAIN DRIVE  
CODNOR GATE BUSINESS PARK  
RIPLEY  
DERBYSHIRE DE5 3ND

TEL: 01773 514 200  
FAX: 01773 514 262  
EMAIL:  
[sales@manthorpe.co.uk](mailto:sales@manthorpe.co.uk)  
WEB:  
[www.manthorpe.co.uk](http://www.manthorpe.co.uk)

DRN M.A

Date

The company maintains a policy of continuous development of its product range and reserves the right to amend the specification without notice.

DRG No

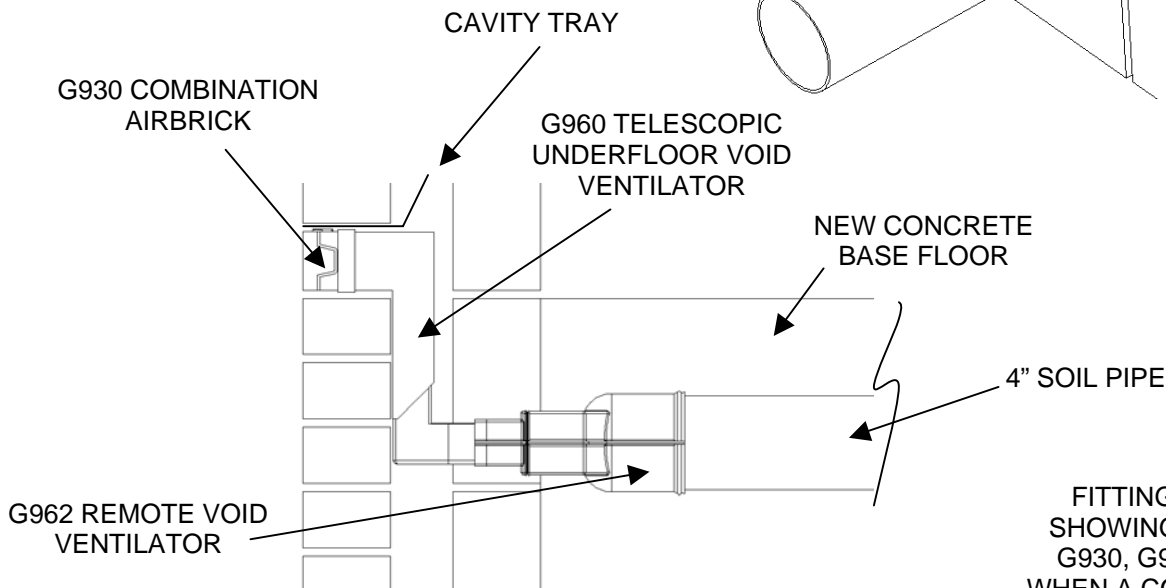
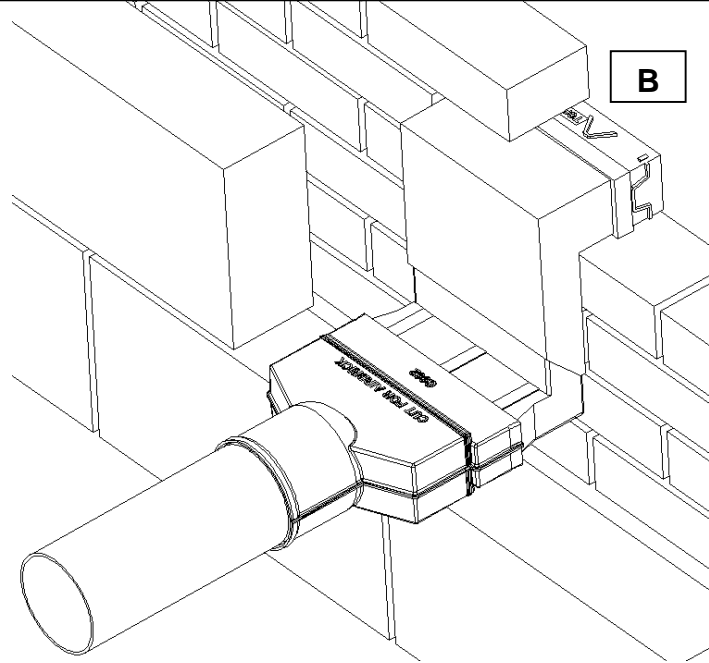
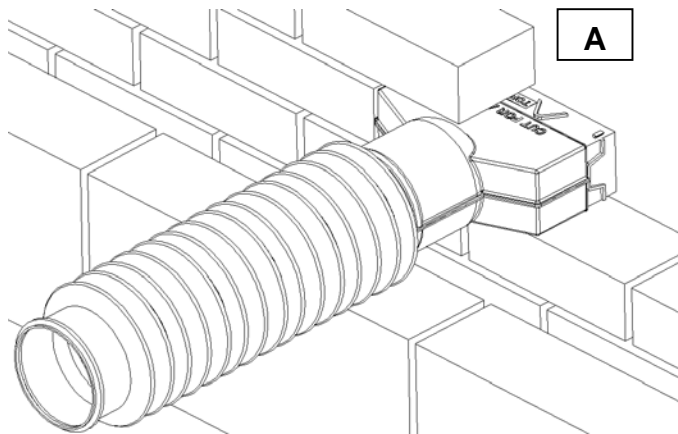
**MBP 8194**  
SHEET 1 OF 2

Issue

**B**

## Remote Void Ventilator

CODE **G962**



FITTING SITUATION SHOWING THE USE OF G930, G960 AND G962 WHEN A CONCRETE BASE HAS BEEN LAID AND THE VOID BELOW A BEAM AND BLOCK FLOOR STILL REQUIRES TO BE VENTILATED.

### Description:

Fitment of the G962 Remote Void Ventilator to the G930 Combination Airbrick ( A ) is achieved by simply cutting the front section off between the pre-moulded cut lines and pushing on to the back of the brick. The G962 should be pushed onto the back of the G960 Under floor Ventilator in fitment detail ( B ) allowing a 4" soil pipe / drainage pipe to be fitted to the adapter or alternatively Manthorpe's GRPA\1 flexible pipe to direct the airflow to the required area.

Bricklaying should continue as normal although care should be taken to keep the airflow passage clear of mortar droppings. If the G962 Remote Void Ventilator is to be built in above D.P.C a suitable cavity tray such as Manthorpe's GW290 should be fitted over the ventilator. This product should be used in conjunction with other products from the Manthorpe range to provide a complete through wall and under floor ventilation system.

### References:

BRE: Digest 17/262  
 BRE: Floors, Flooring  
 DOE: Building regs C4  
 NHBC: Standards 7.2

MANTHORPE BUILDING PRODUCTS LTD  
 MANTHORPE HOUSE  
 BRITAIN DRIVE  
 CODNOR GATE BUSINESS PARK  
 RIPLEY  
 DERBYSHIRE DE5 3ND

TEL: 01773 514 200  
 FAX: 01773 514 262  
 EMAIL: [sales@manthorpe.co.uk](mailto:sales@manthorpe.co.uk)  
 WEB: [www.manthorpe.co.uk](http://www.manthorpe.co.uk)

DRN M.A Date

The company maintains a policy of continuous development of its product range and reserves the right to amend the specification without notice.

DRG No

**MBP 8195**  
 SHEET 2 OF 2

Issue

**A**