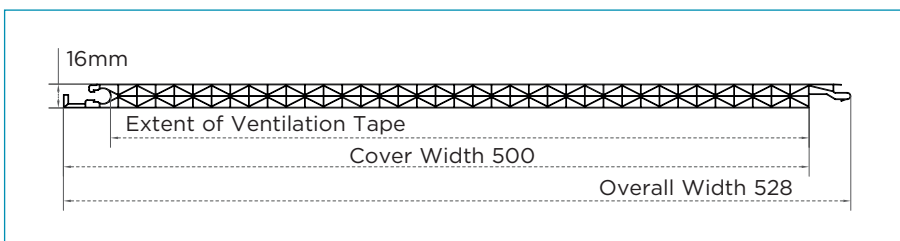
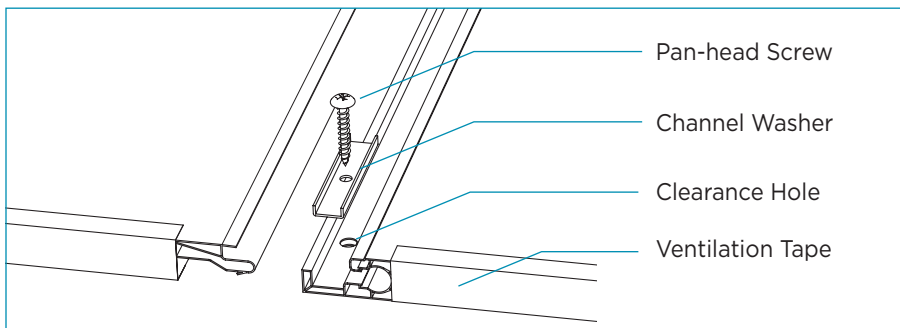
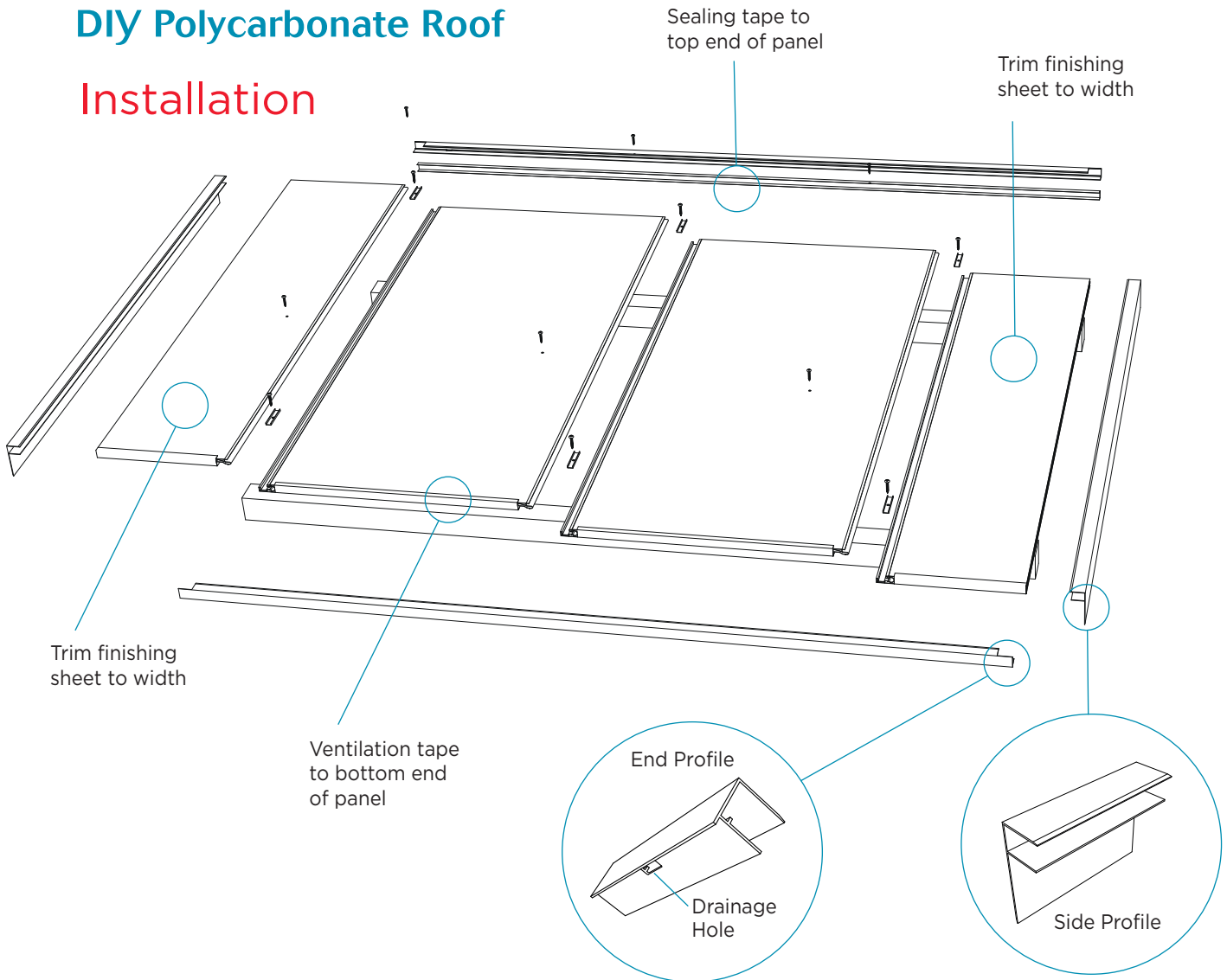


Corotherm Clickfit



DIY Polycarbonate Roof

Installation



Corotherm Clickfit

Corotherm Clickfit is the multiwall polycarbonate panel manufactured by Ariel. The sheet is characterised by high optical clarity, light transmission, impact resistance and durability. It is available in a range of standard sizes, clear and tinted. Clickfit has a coextruded UV protection layer on one side.

WARRANTY

There is 10 year limited warranty against loss of light transmission, yellowing and weather impact available for this product.

QUALITY

Manufactured under ISO 9001: 2015

HANDLING & SAFETY

Do not step directly on the rooflight. Use stepping boards. Work according to local safety regulations.

STORAGE

Store in a shaded place, protect from direct sunlight and rain prior to installation. Avoid covering the sheets with heat absorbing materials. Avoid contact with chemicals. Protect the sheets from physical damage.

INSTALLATION

Make adequate allowance for thermal movement, nominally

3.5mm per metre. Holes drilled for fixings must be oversized. Sheet lengths must be limited to ensure there is no excessive movement at the end laps or fixings. Do not overtighten fixings. Remove protective film on installation.

SERVICE TEMPERATURE

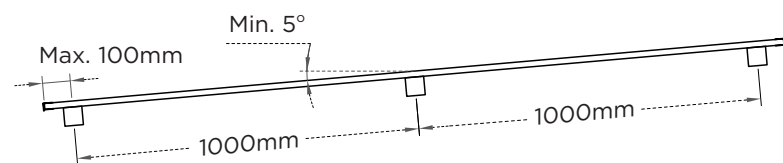
For stable prolonged service ranging from -20°C to 100°C. (Short term un-stressed -40°C to 130°C).

MAINTENANCE

In order to maintain this product in good condition it should be cleaned periodically using suitable detergent cleaning agents. Do not use solvent cleaners. Do not scrub with brushes or sharp implements. Avoid cleaning in hot sun or high temperatures.

RECOMMENDATIONS

Minimum roof slope 5° / Maximum sheet length 4.5m



Properties

Thickness	16mm
Cover Width	500mm
U-value	2.0W/m ² K
UV protection	Single sided

Light Transmission

Colour	Light	Solar
Clear	66%	69%
Bronze	14%	42%
Pearlescent (PW)	59%	39%

Spanning

Purlin Centres (mm)	Load (N/m ²)
800	1000
1000	750
1200	500



Speedwell Industrial Estate
Staveley
Derbyshire
S43 3JP

Tel: 01246 281111
Fax: 01246 561111
Email: info@arielplastics.com

Orderline email: sales@arielplastics.com

www.arielplastics.com



Q09125