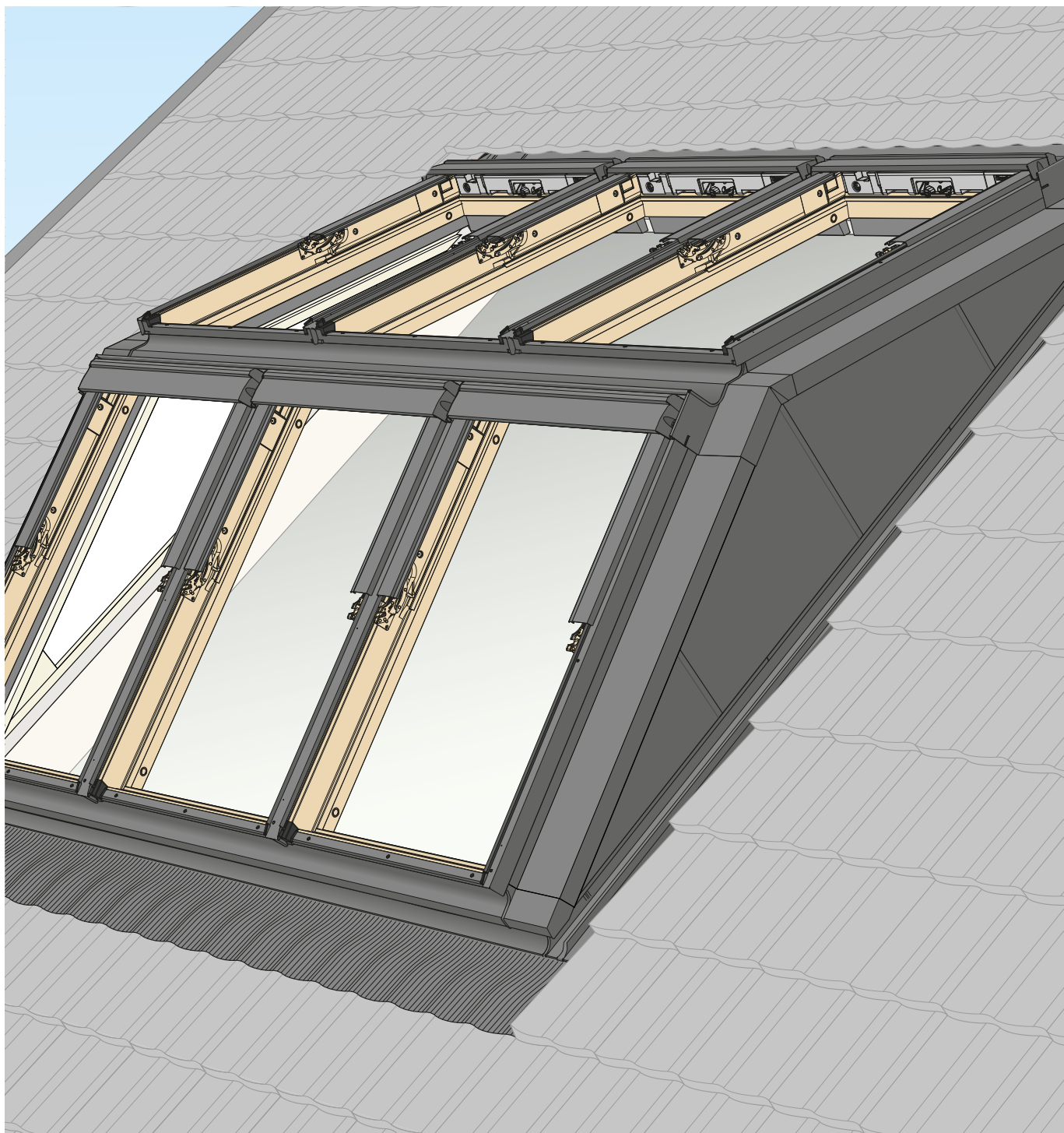
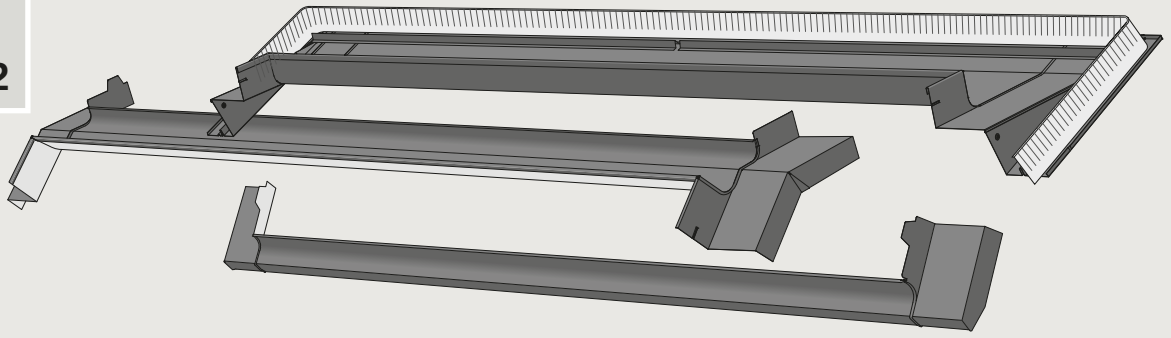


EBW -K06 ■
2022BK / 2032BK

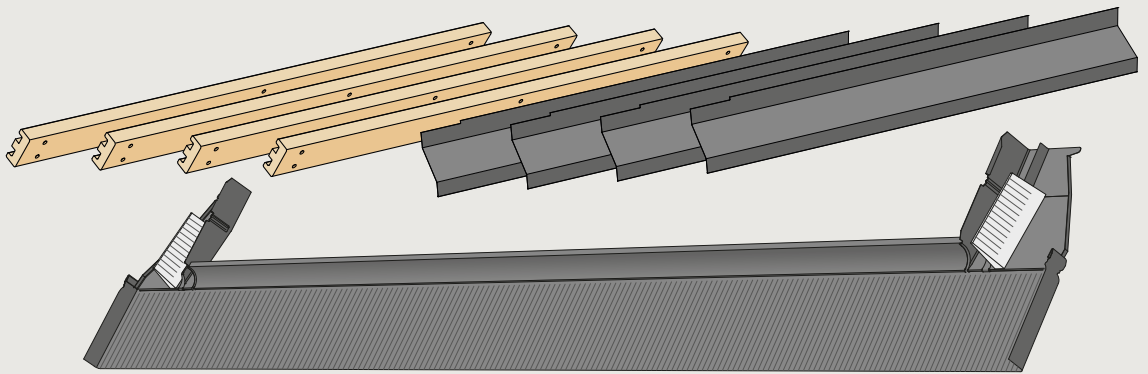




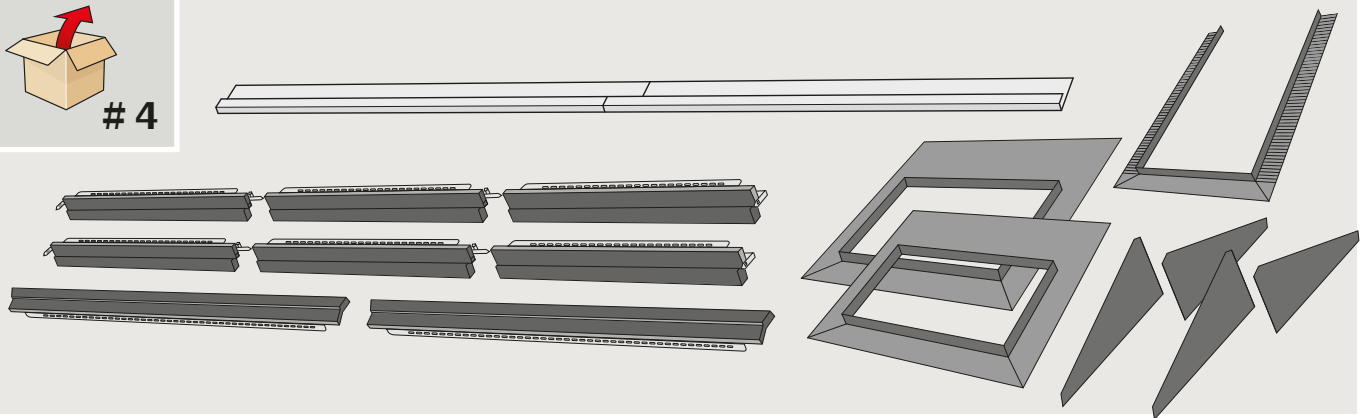
2



3



4

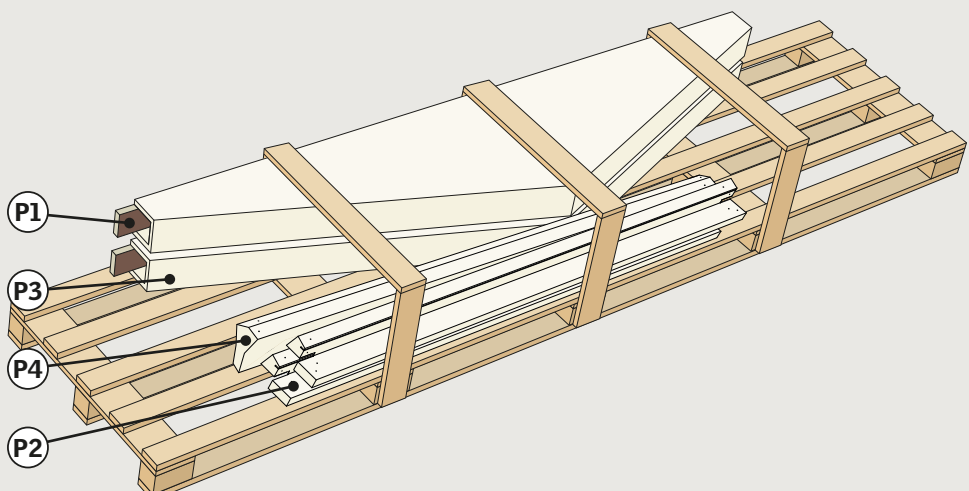


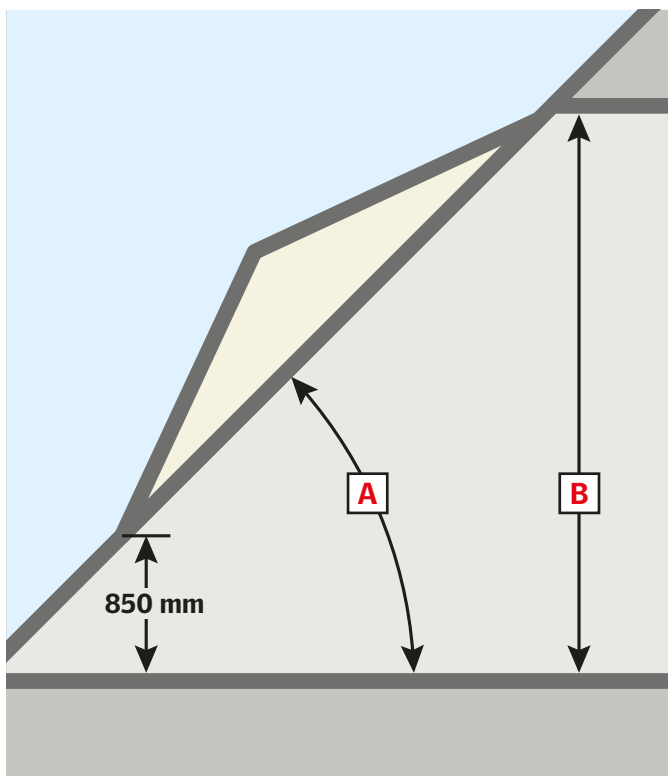
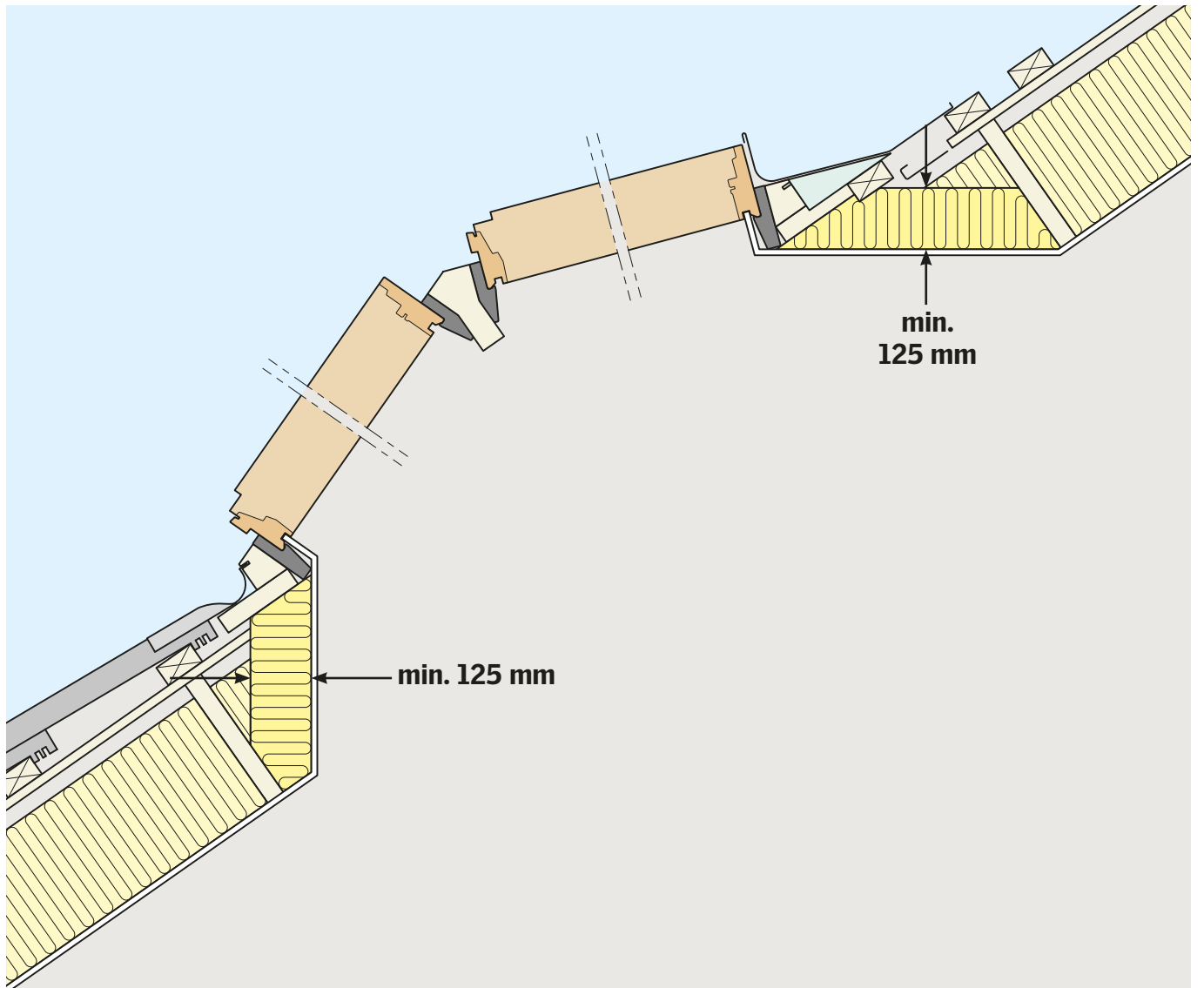
P1

P3

P4

P2



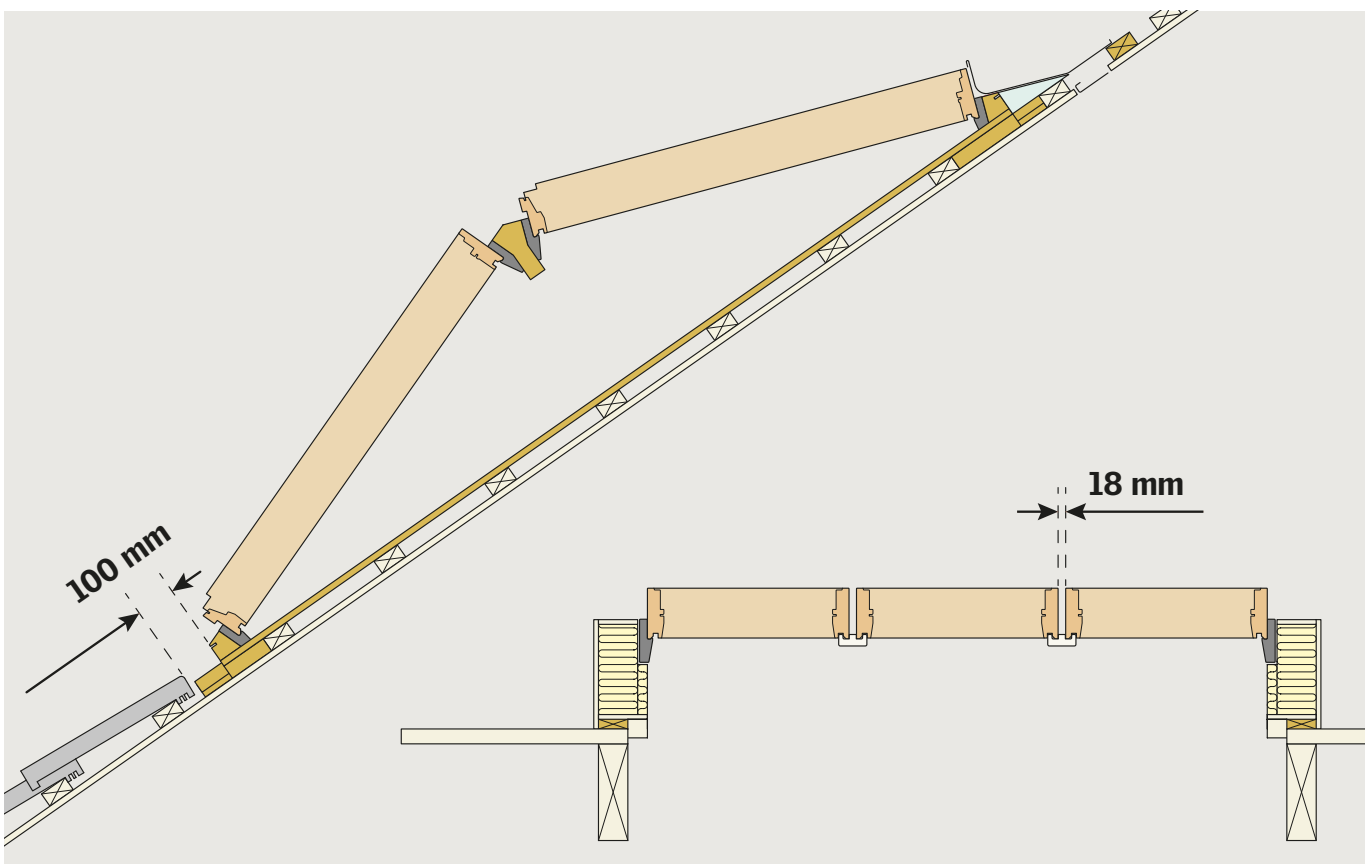
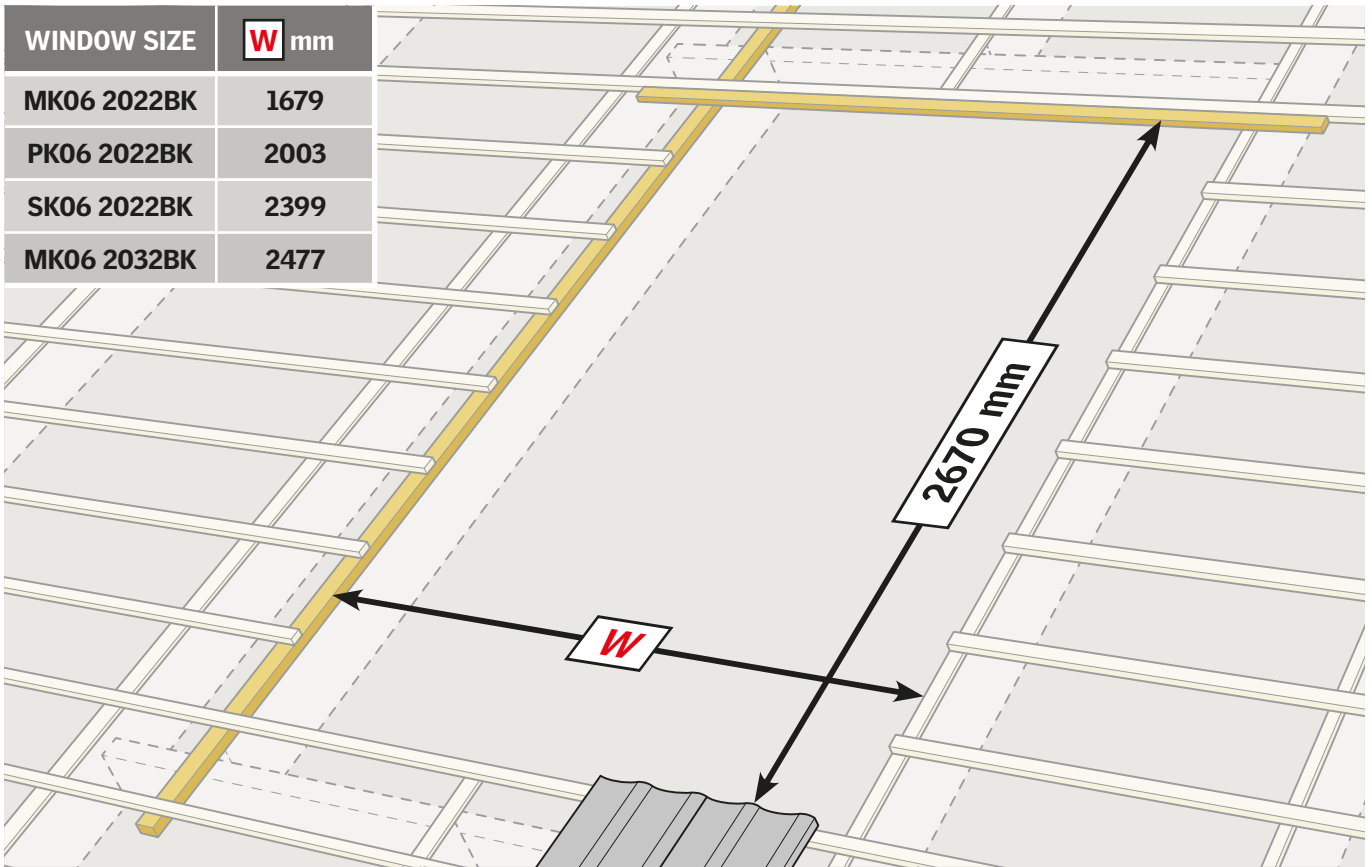


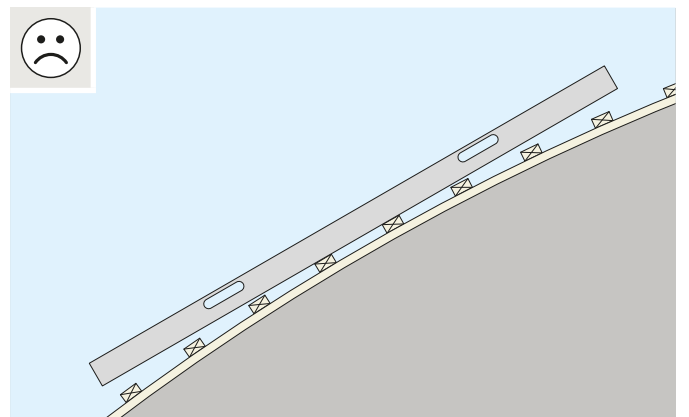
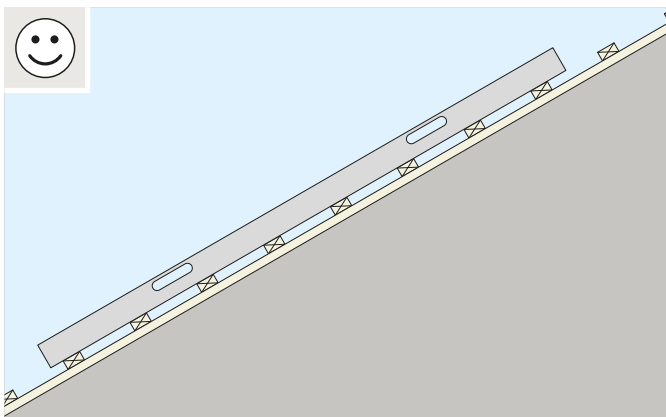
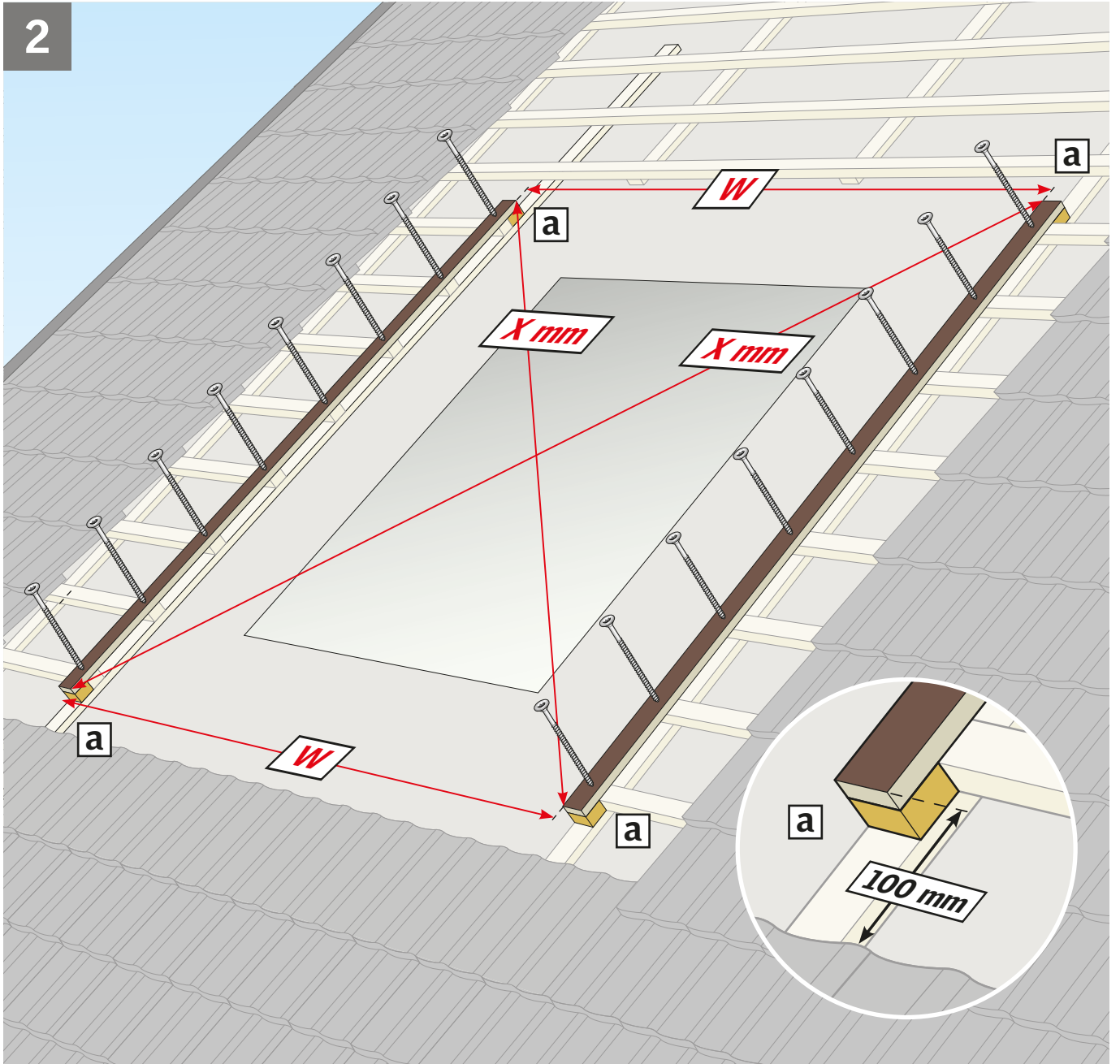
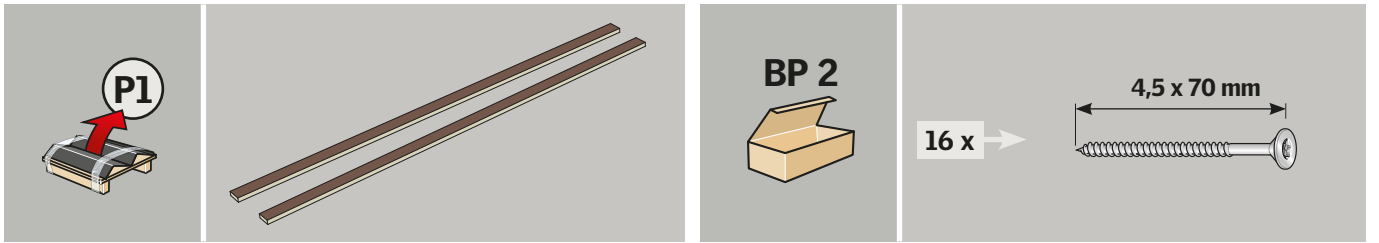
A	min. B mm
35°	2003
40°	2171
45°	2328
50°	2470
55°	2600
60°	2714
65°	2815
70°	2900

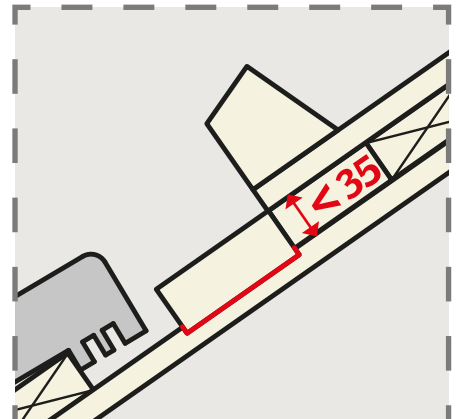
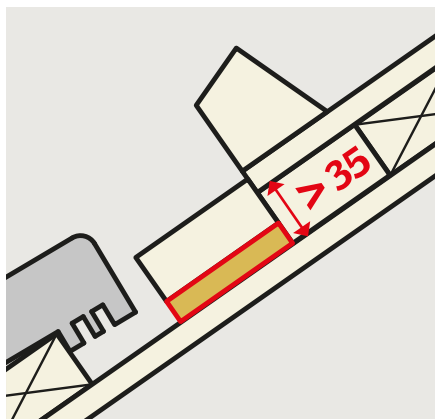
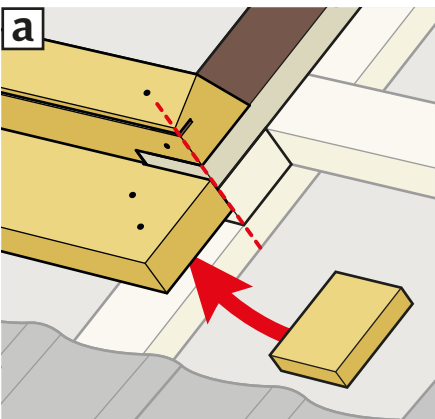
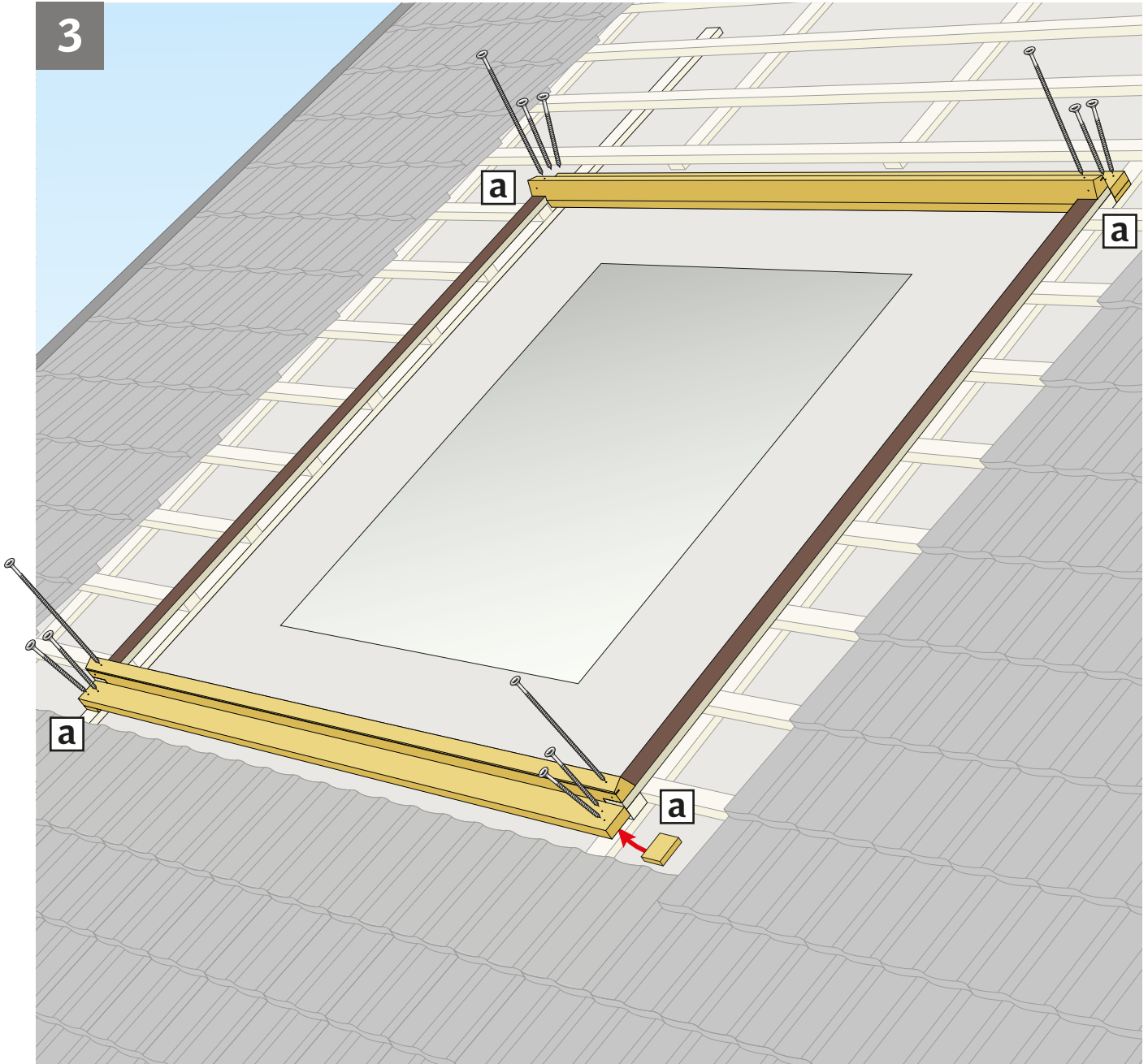
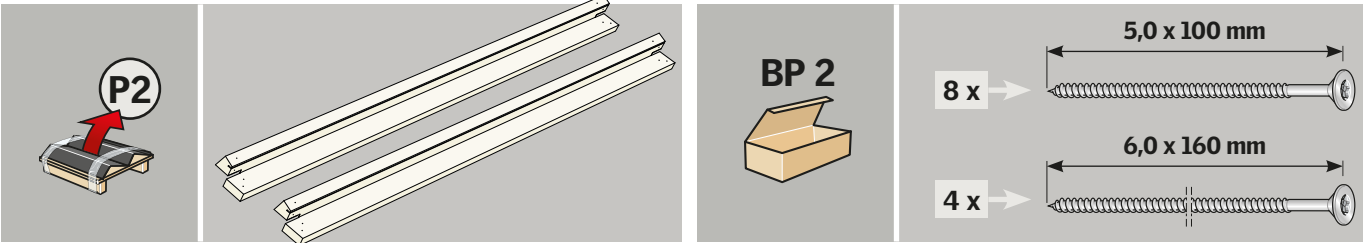
1



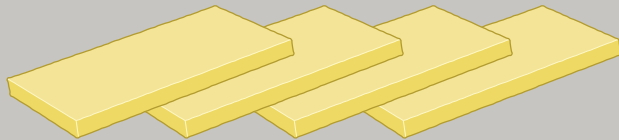
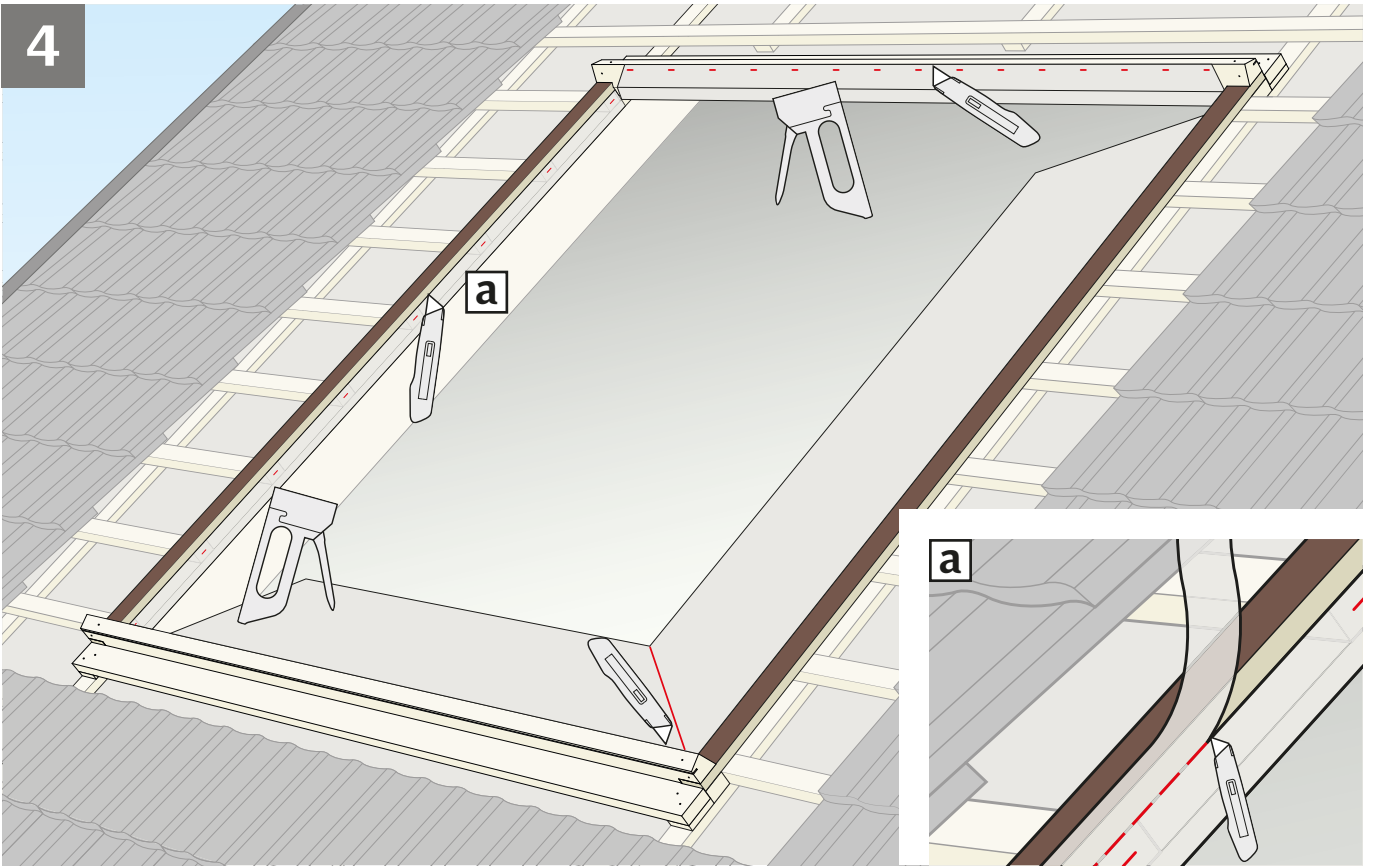
WINDOW SIZE	W mm
MK06 2022BK	1679
PK06 2022BK	2003
SK06 2022BK	2399
MK06 2032BK	2477



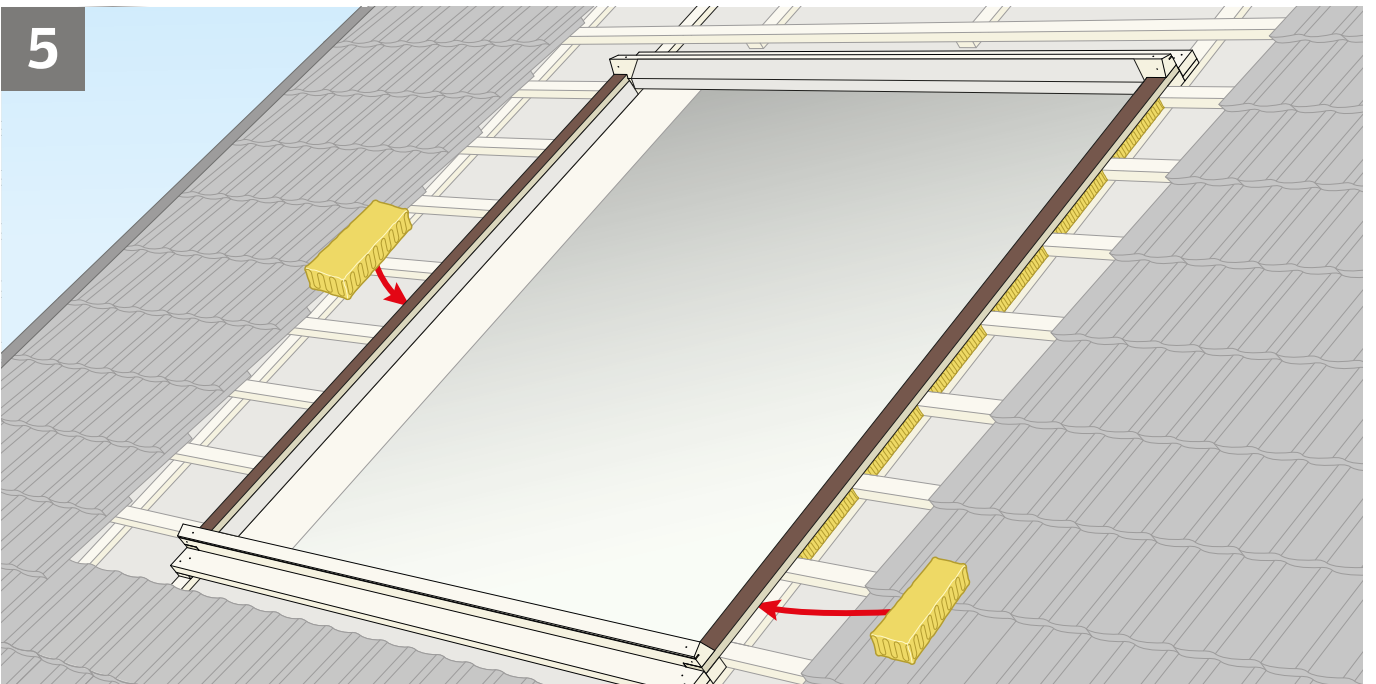


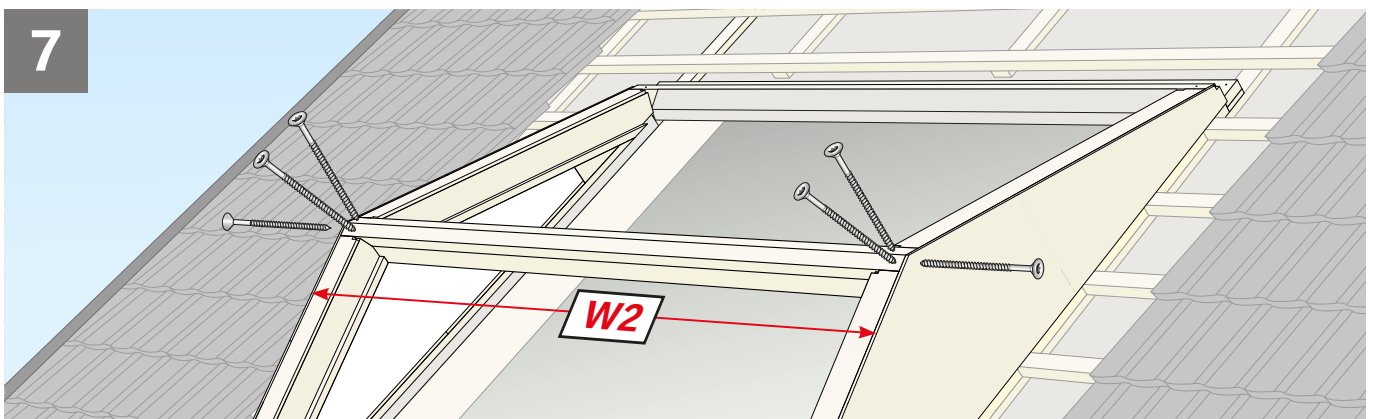
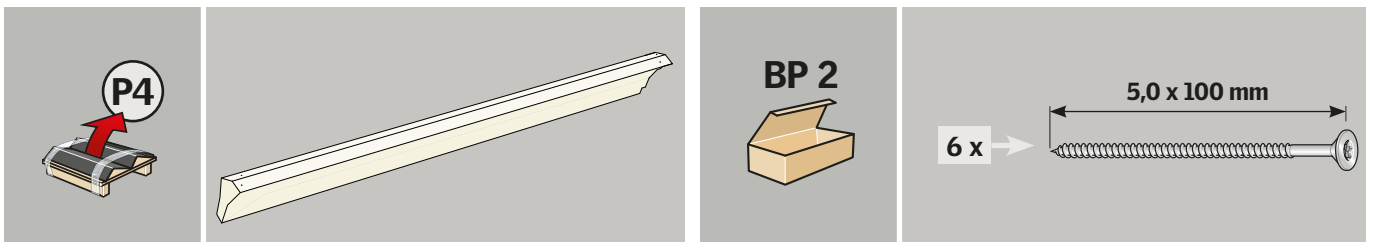
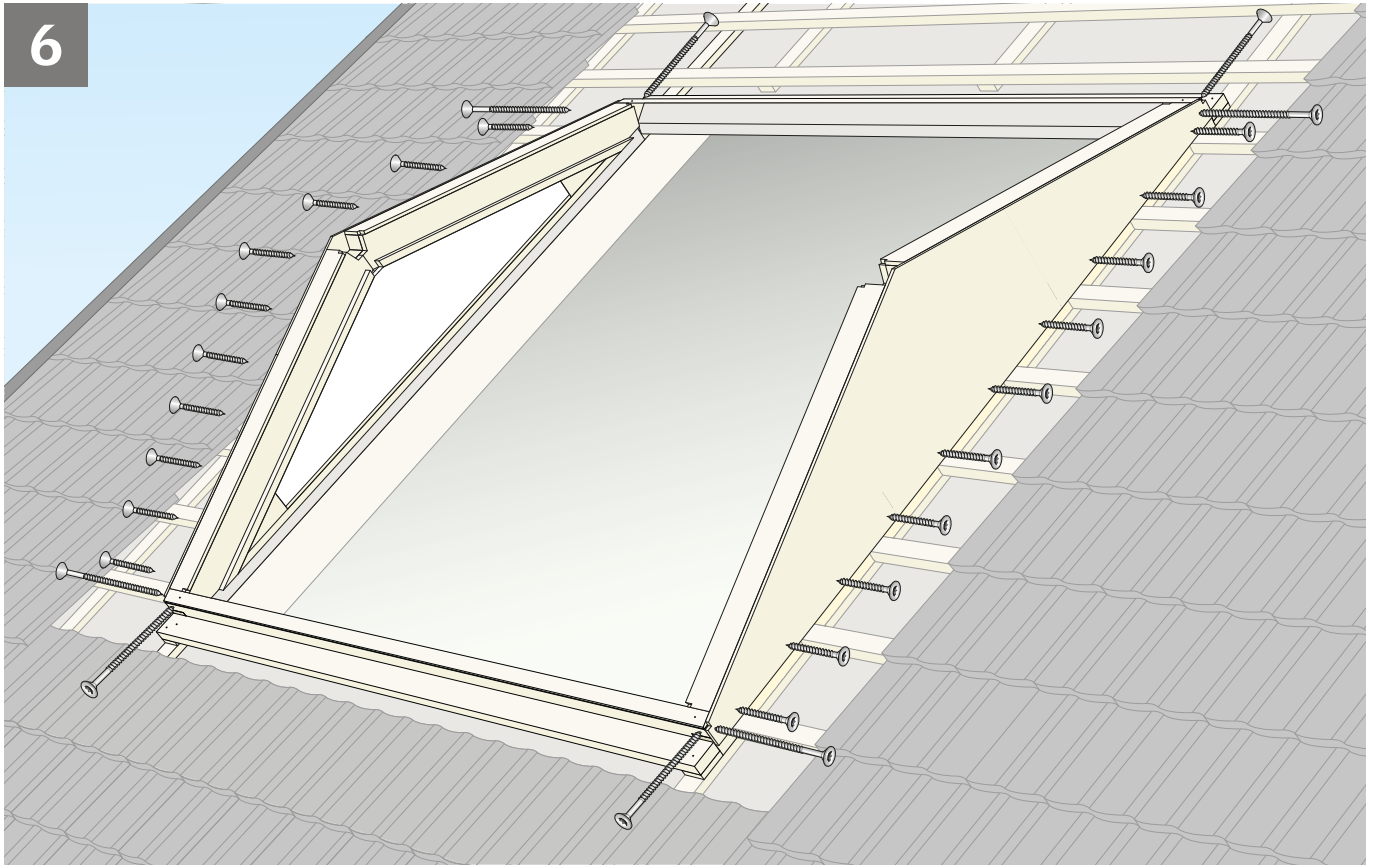
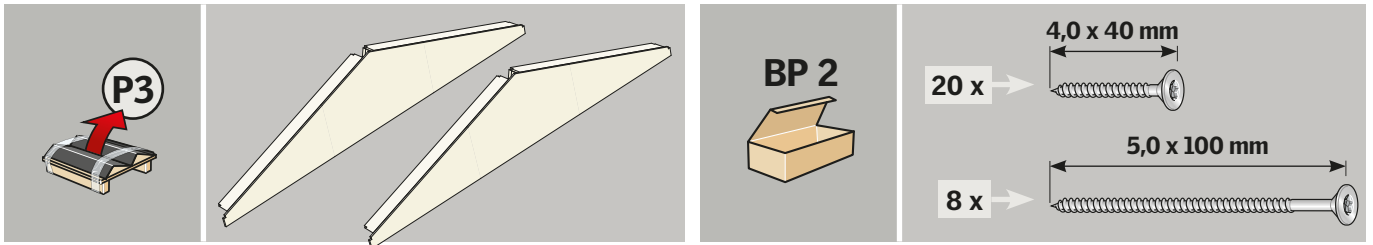


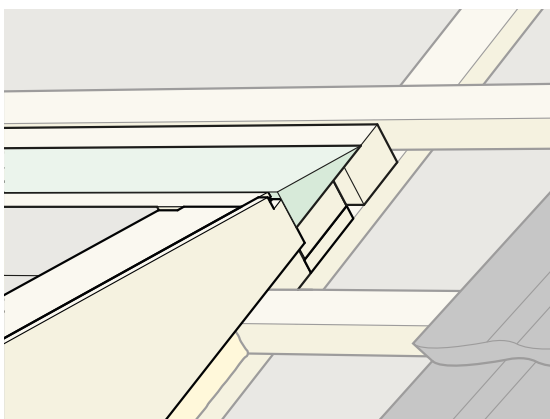
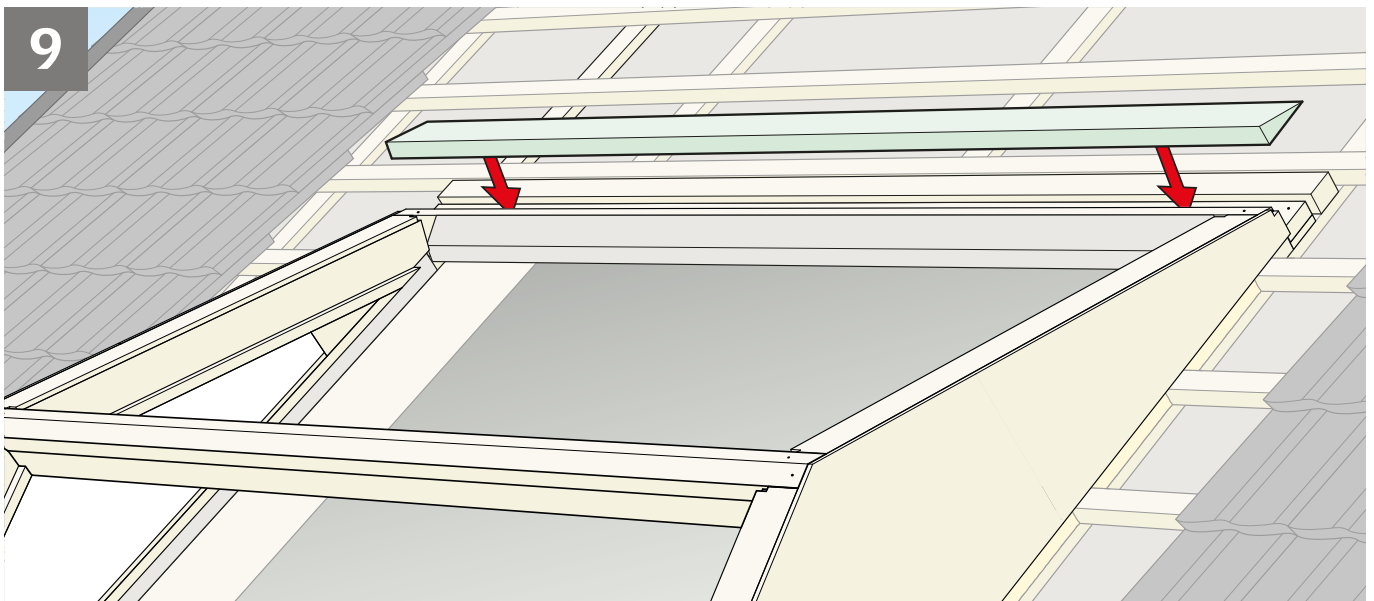
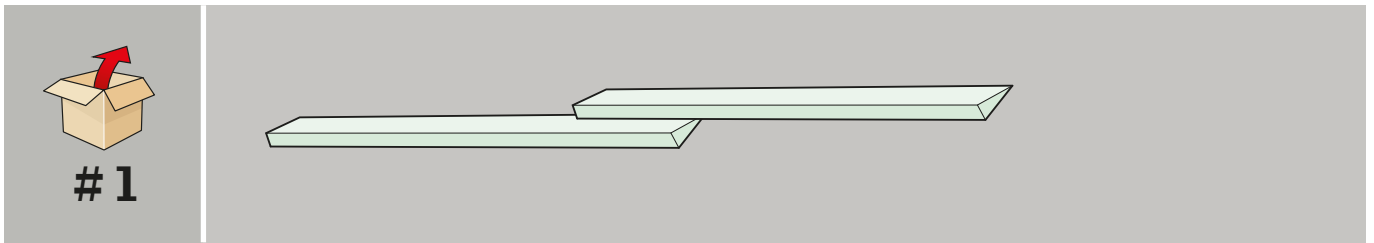
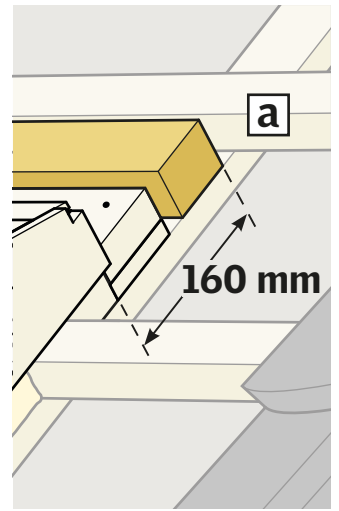
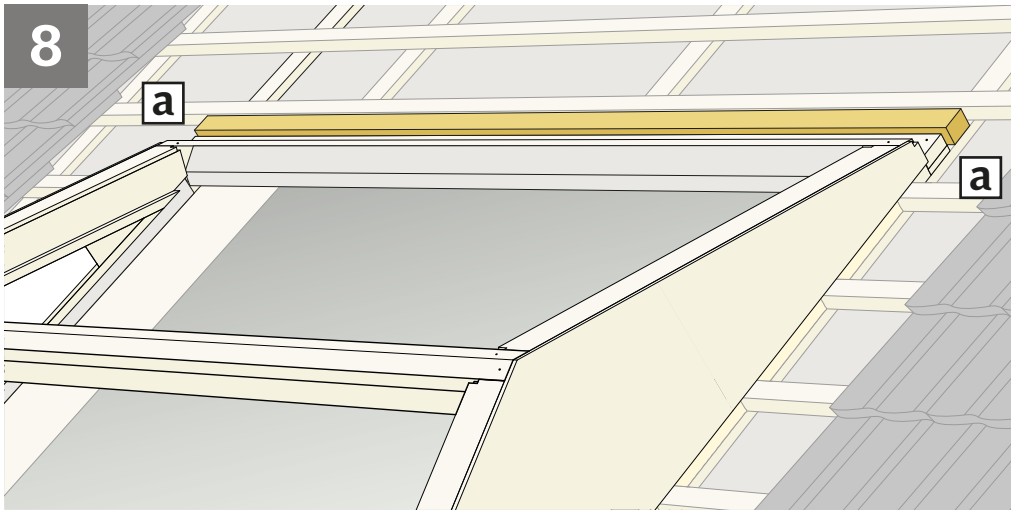
4



5

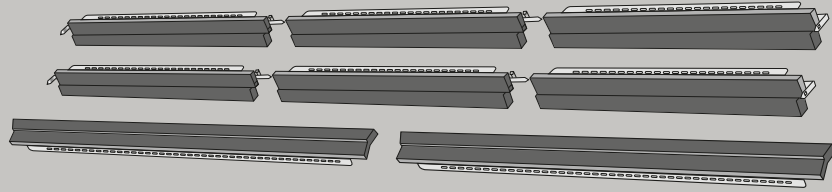




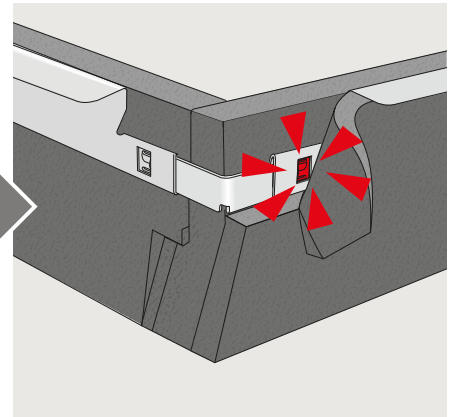
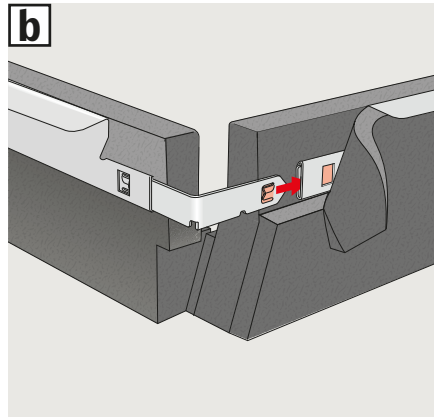
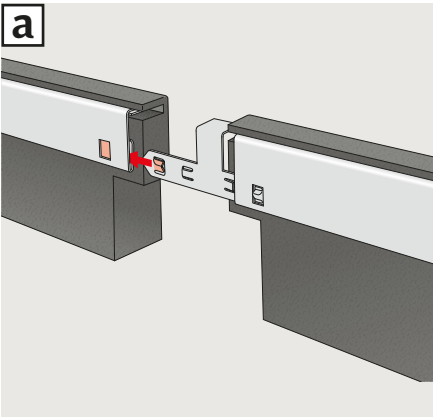
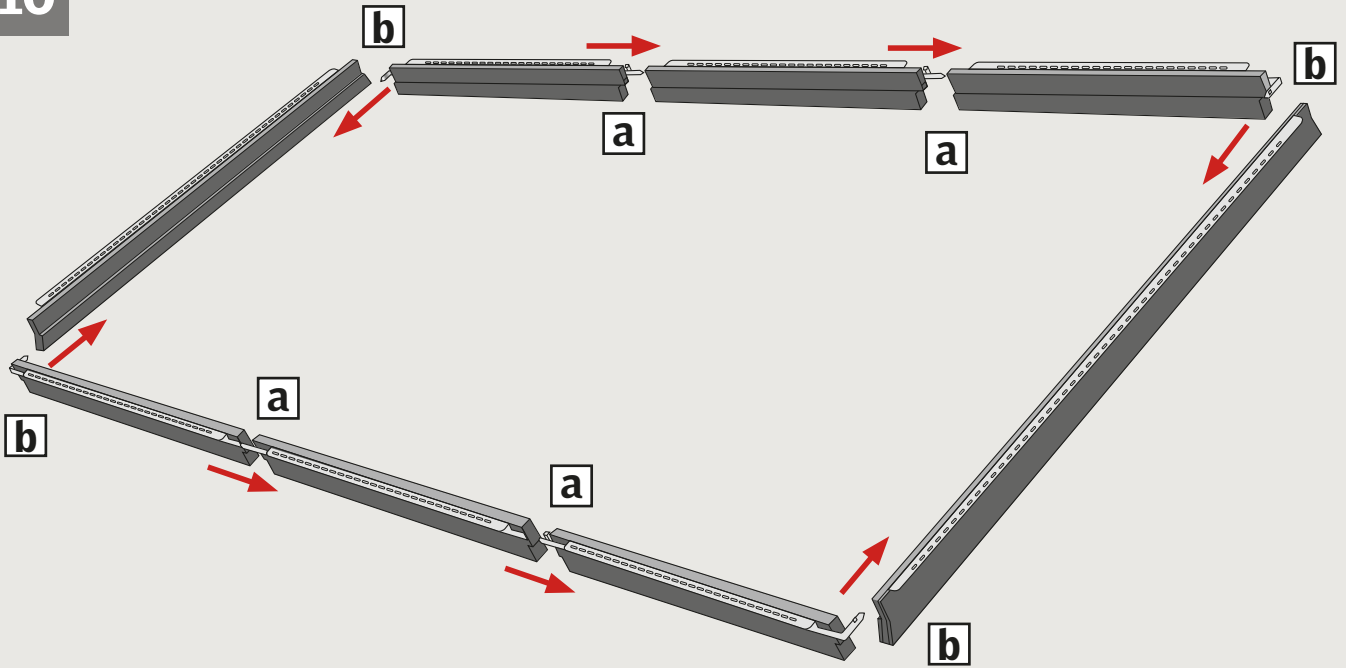


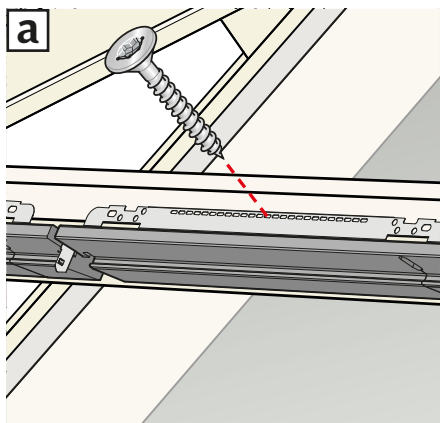
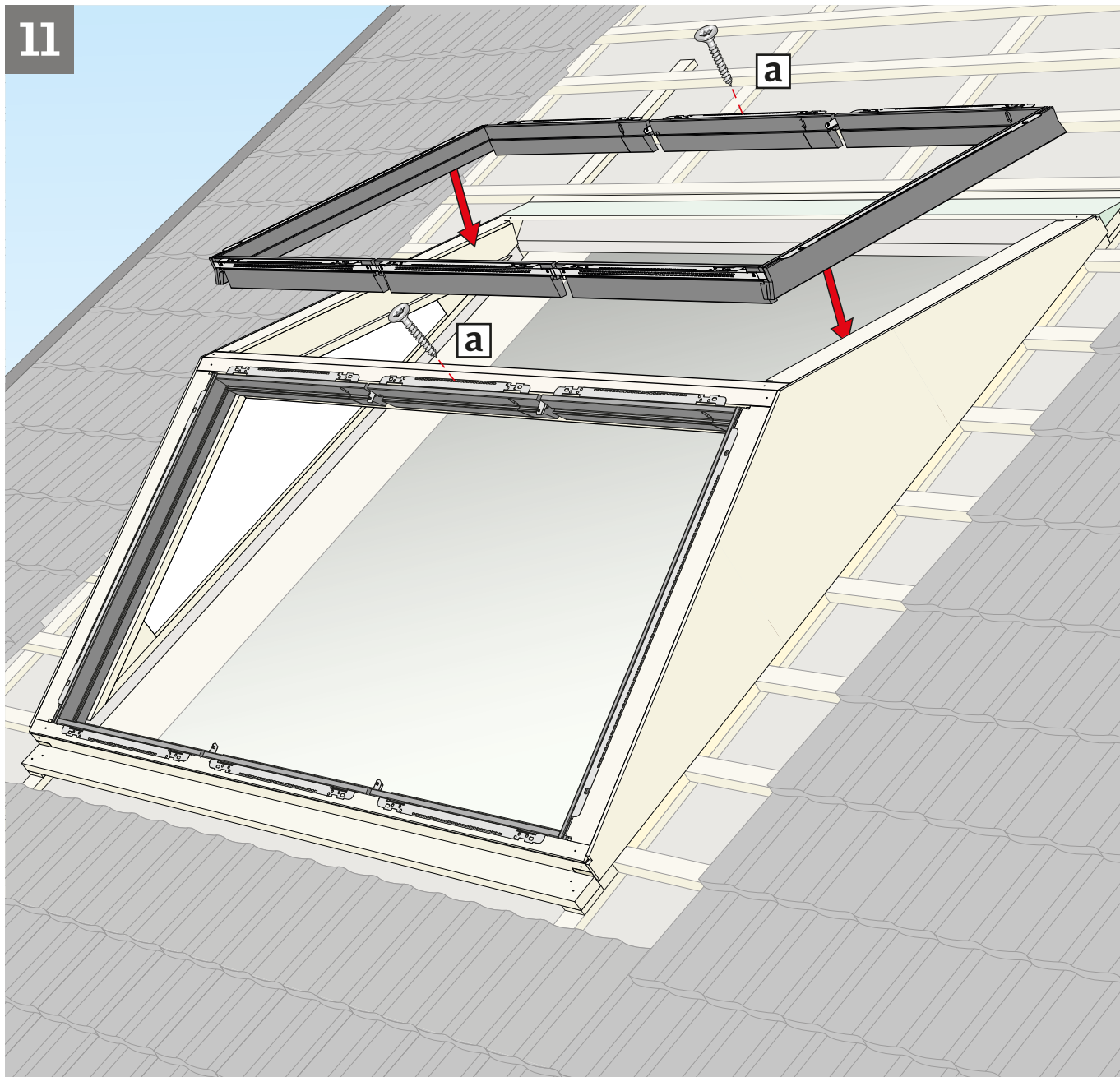


4

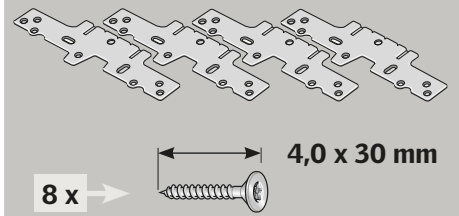
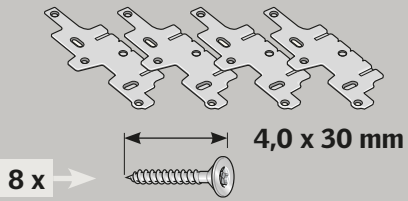


10

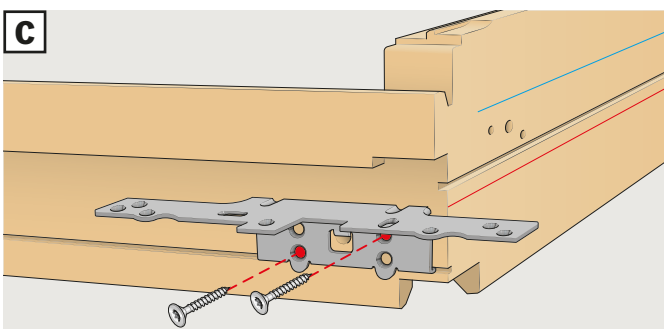
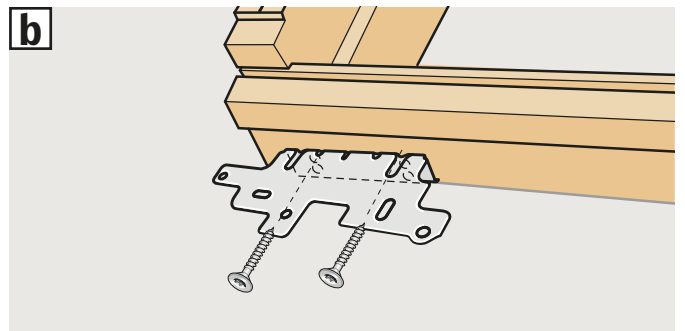
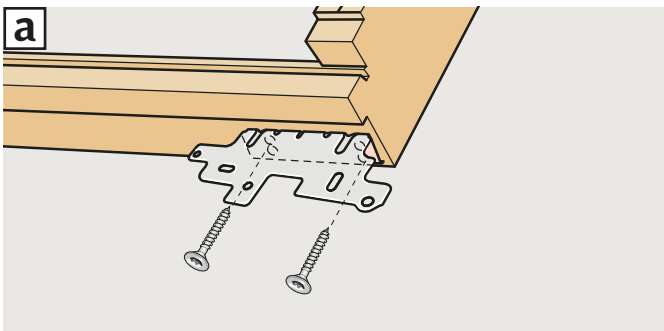
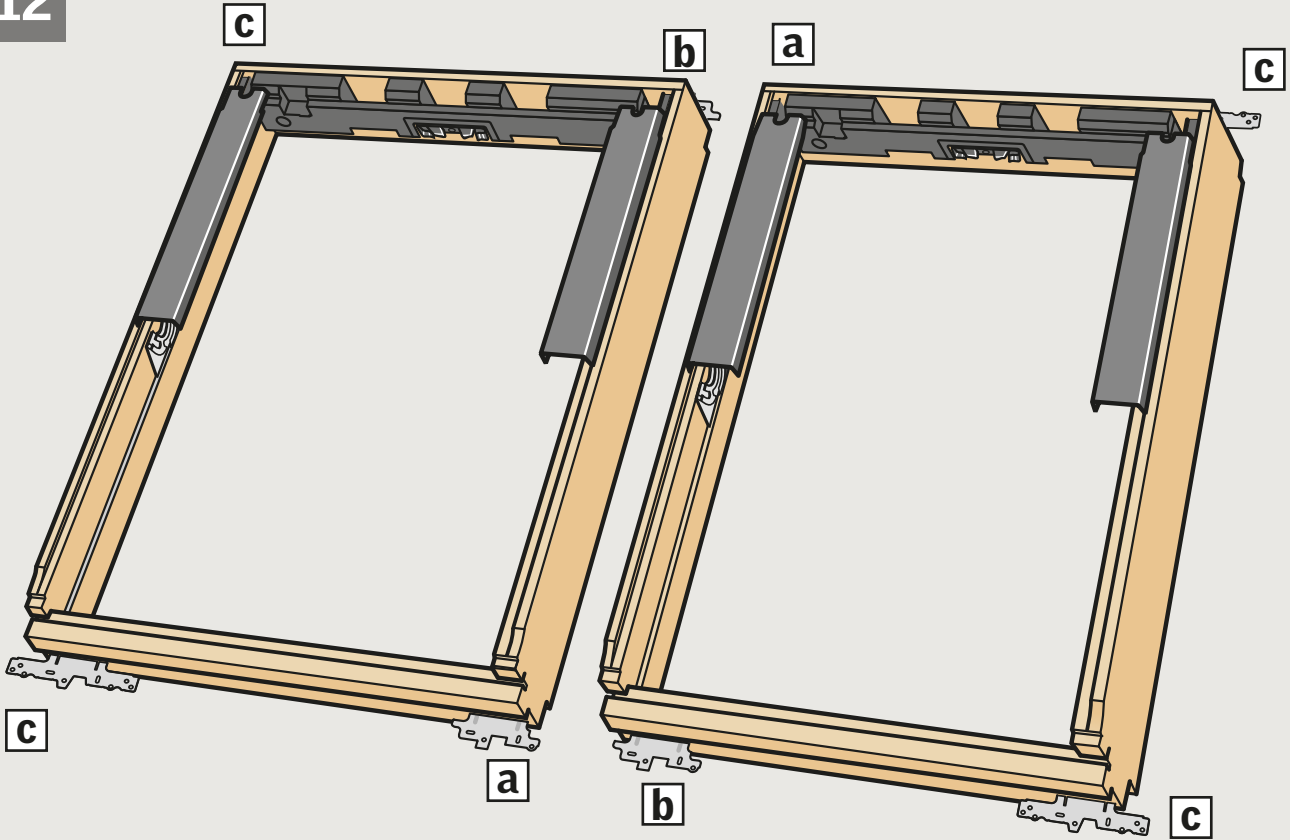


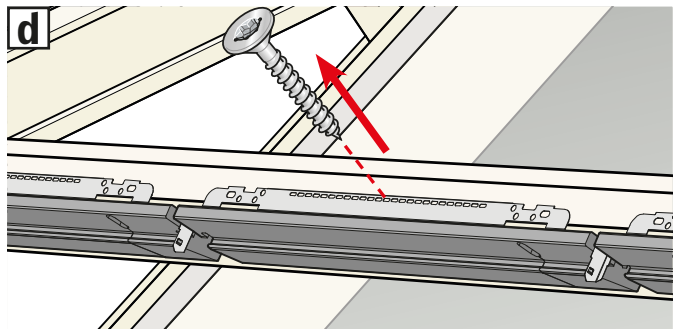
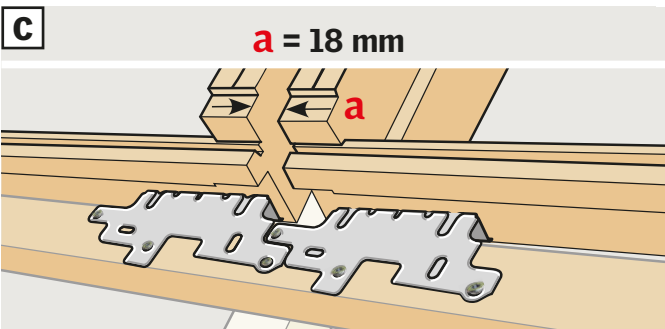
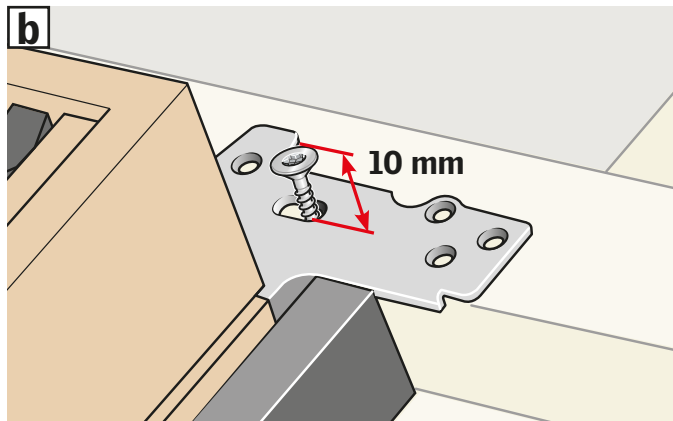
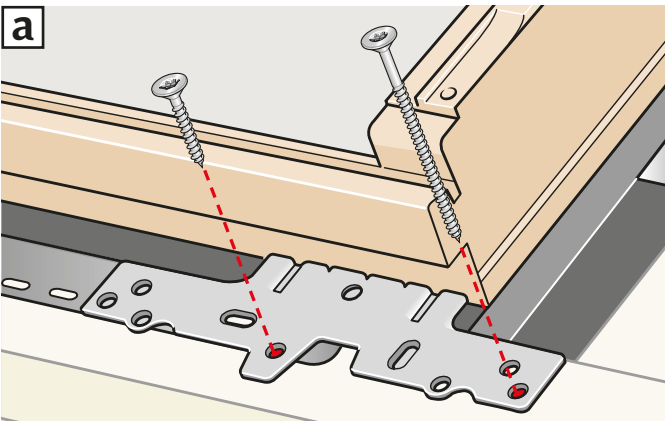
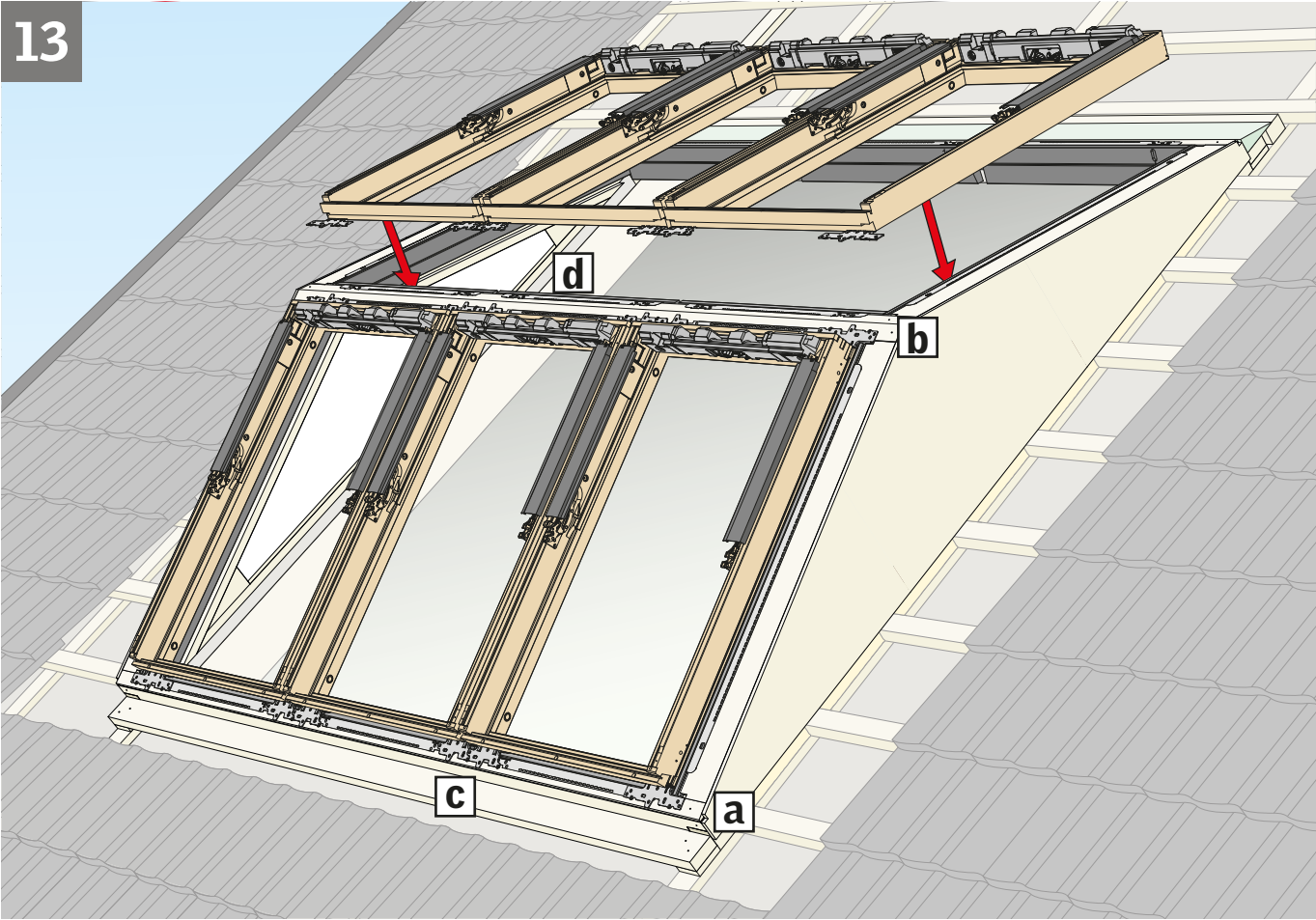
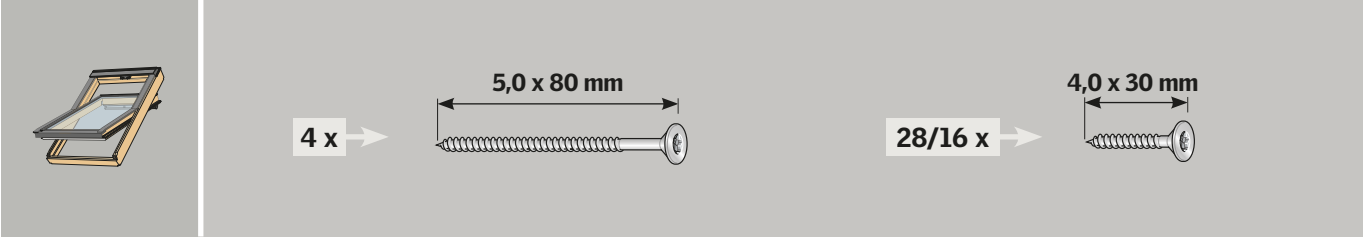


BP 1



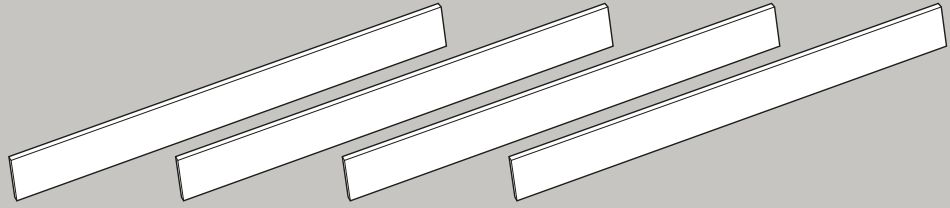
12



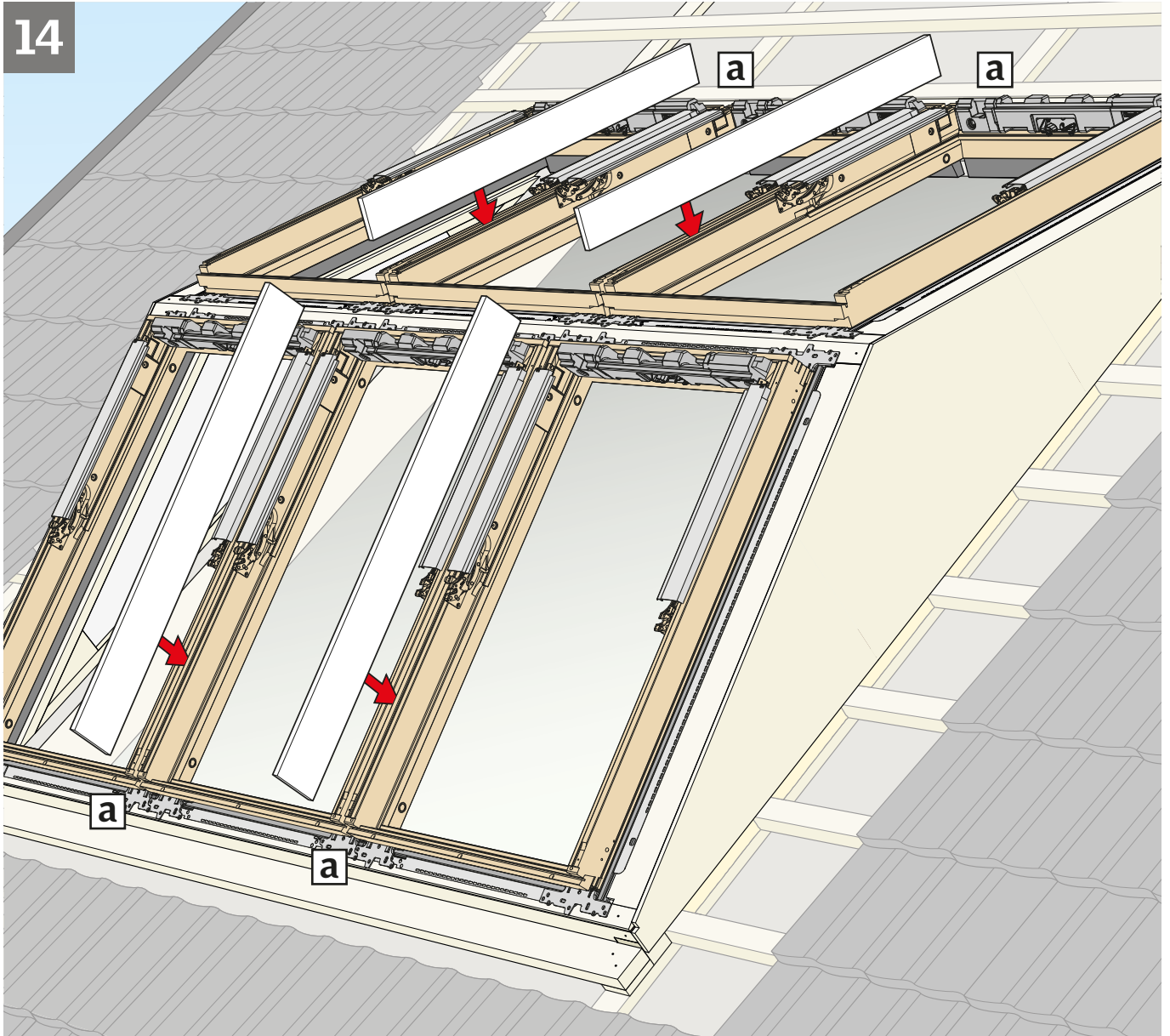




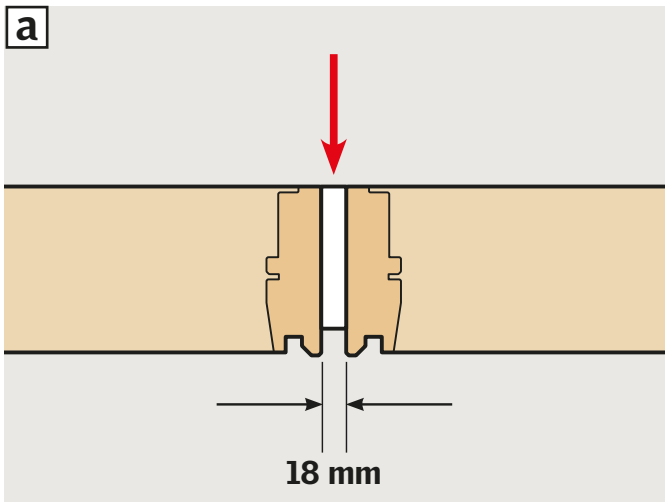
#1

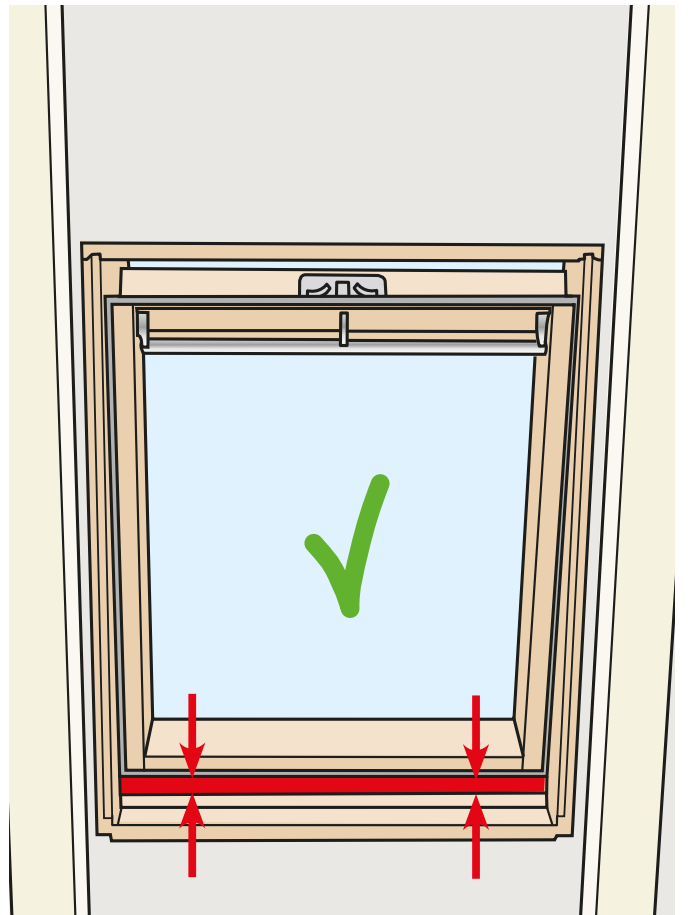
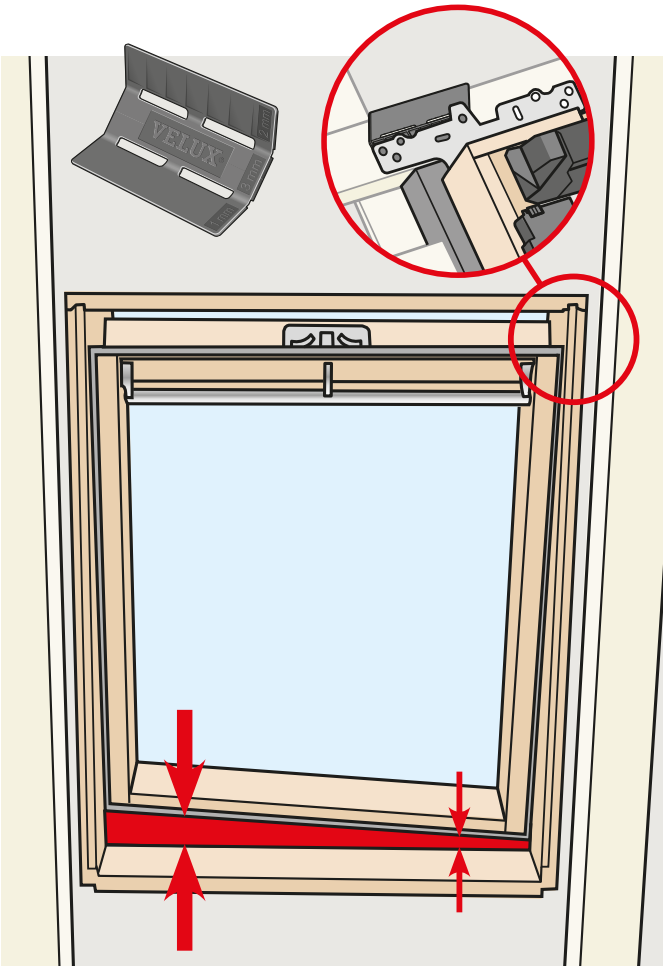
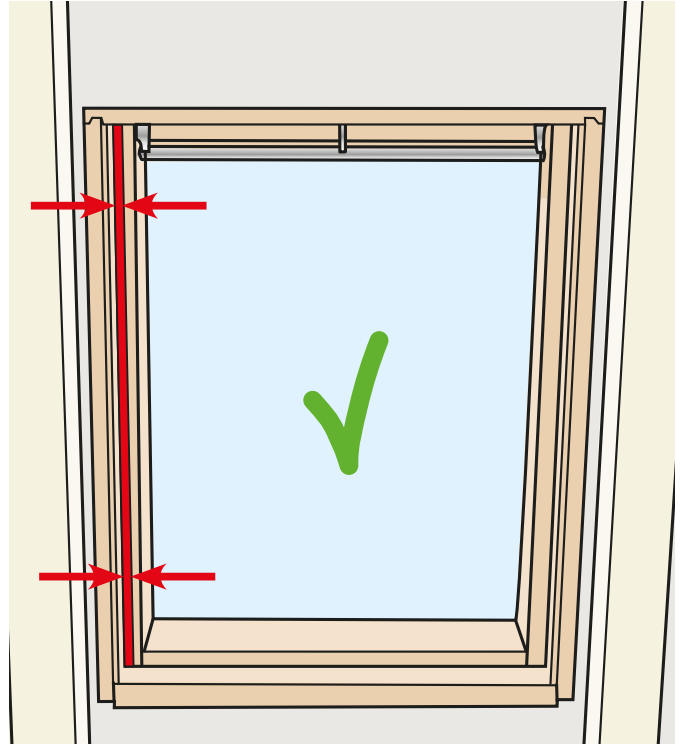
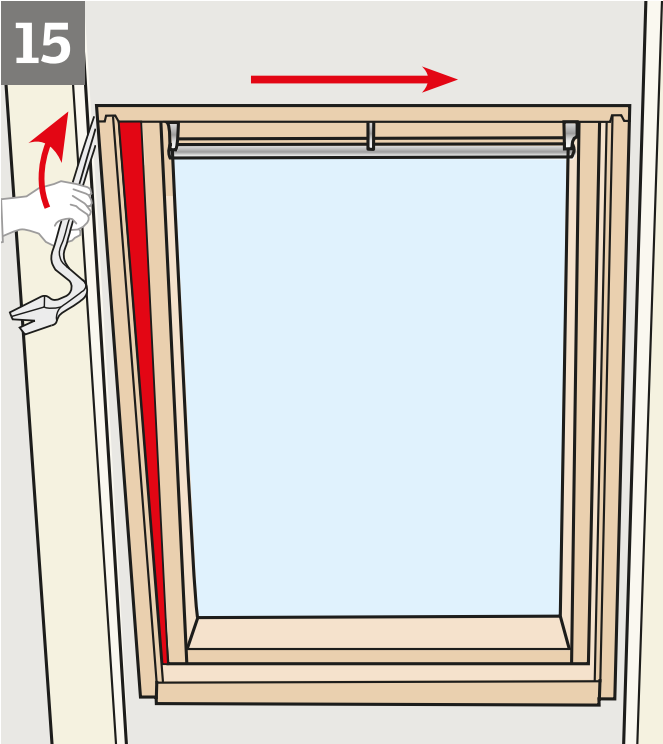
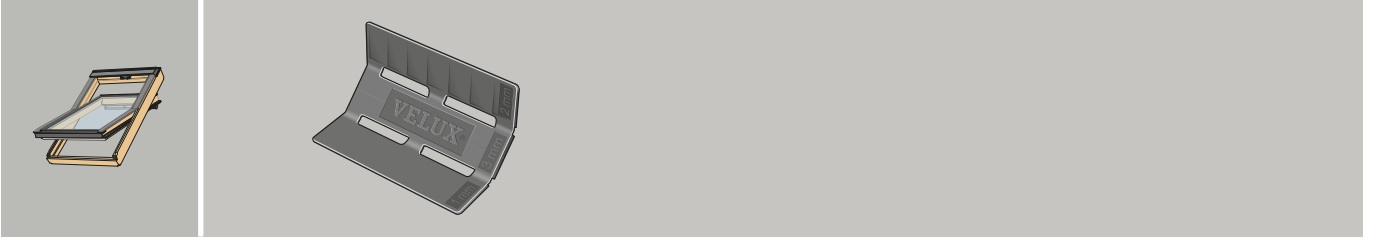


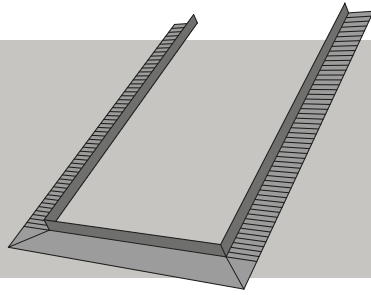
14



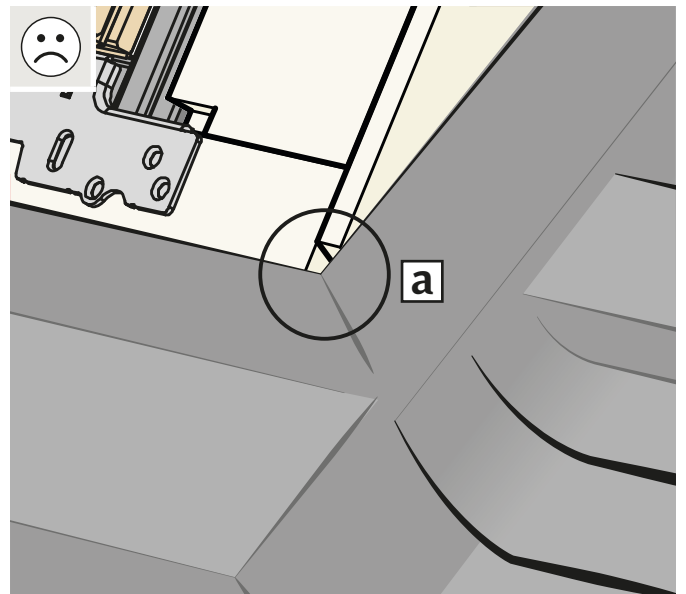
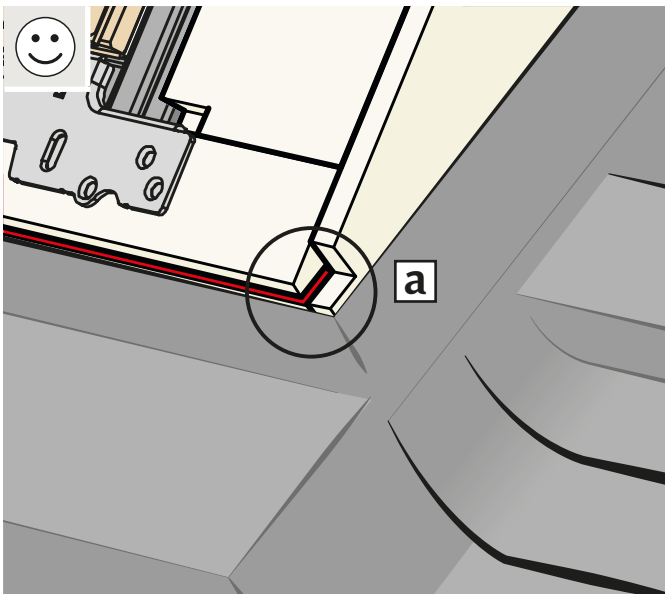
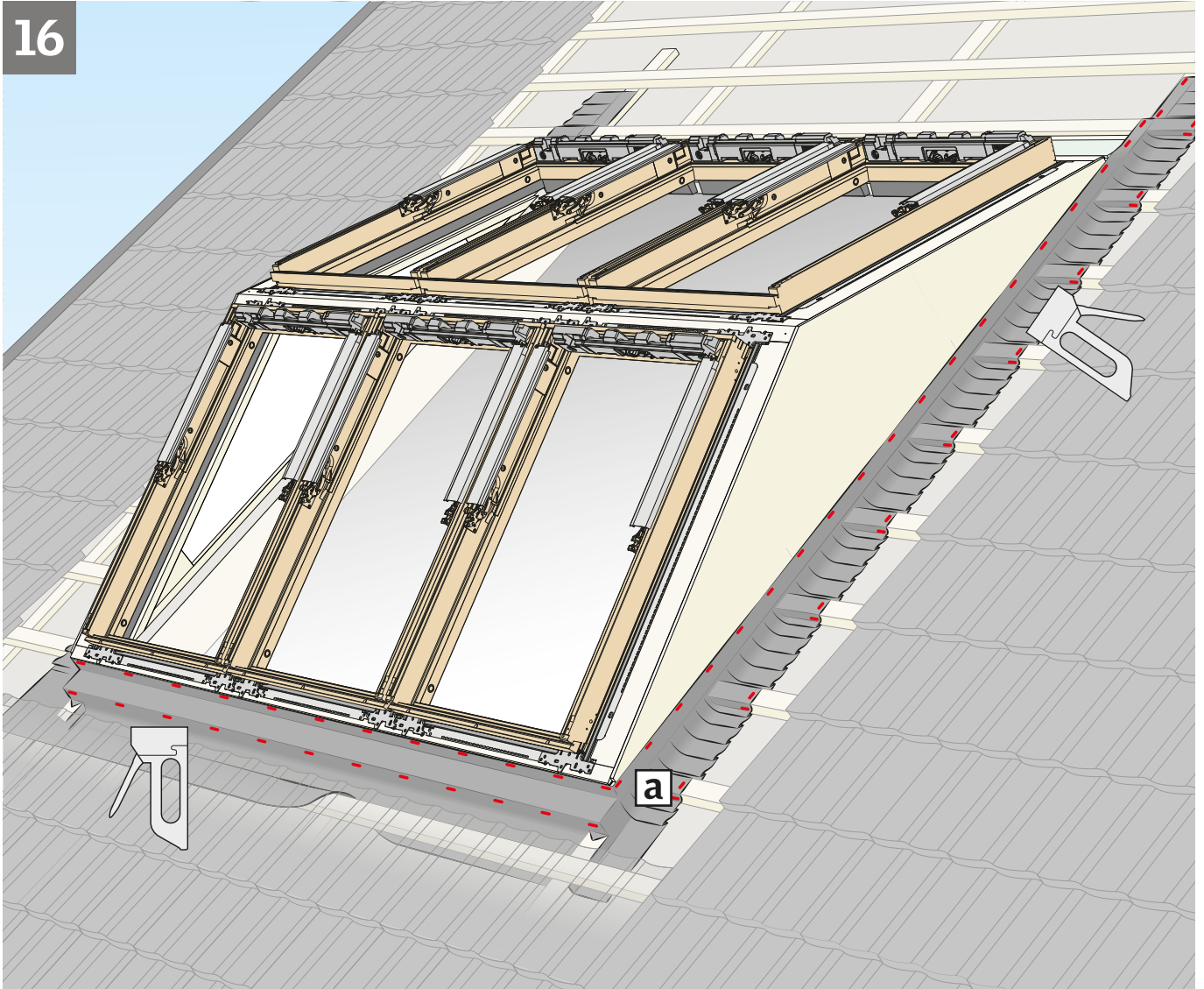
a





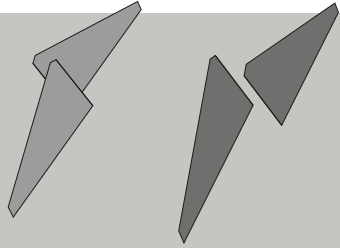


16

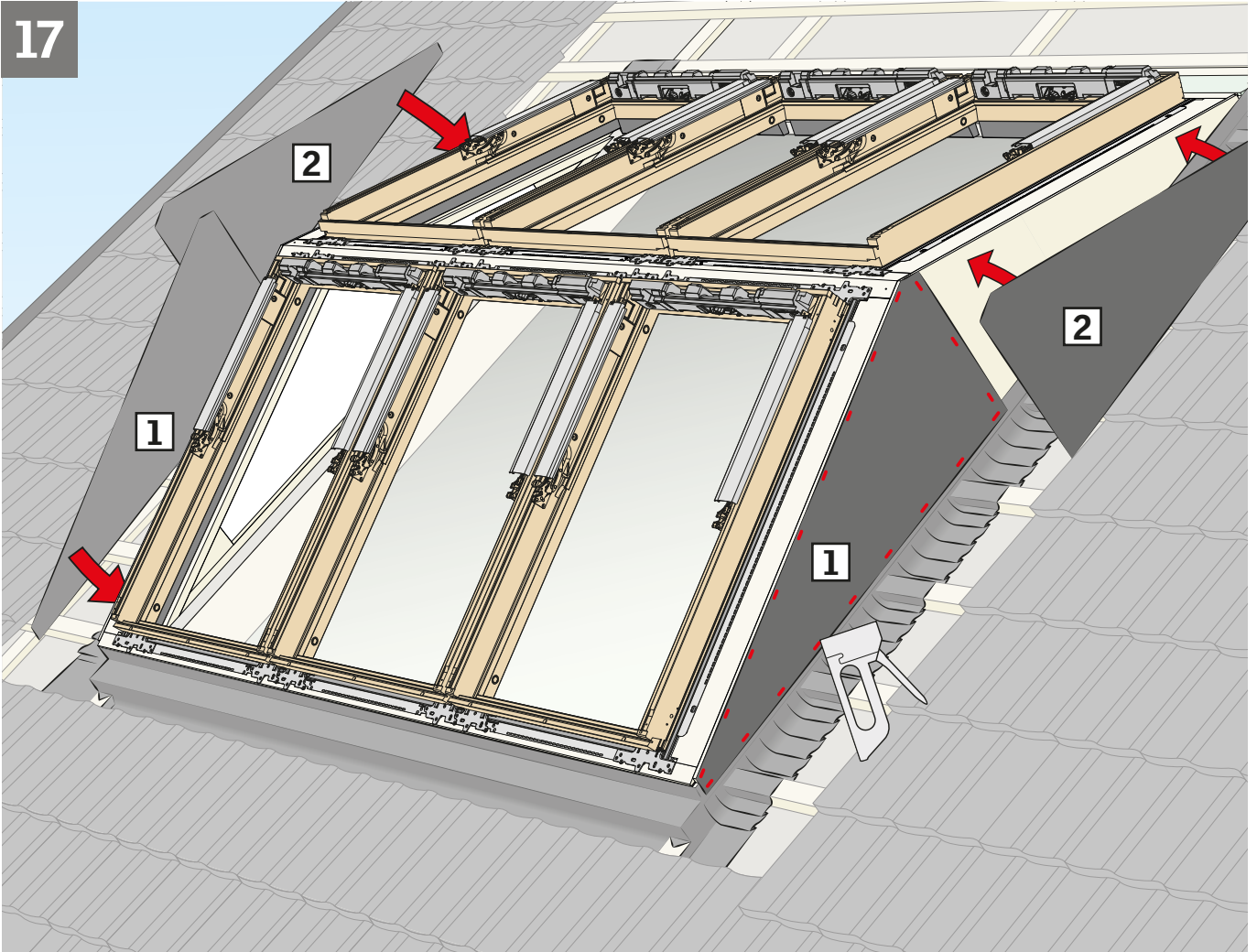




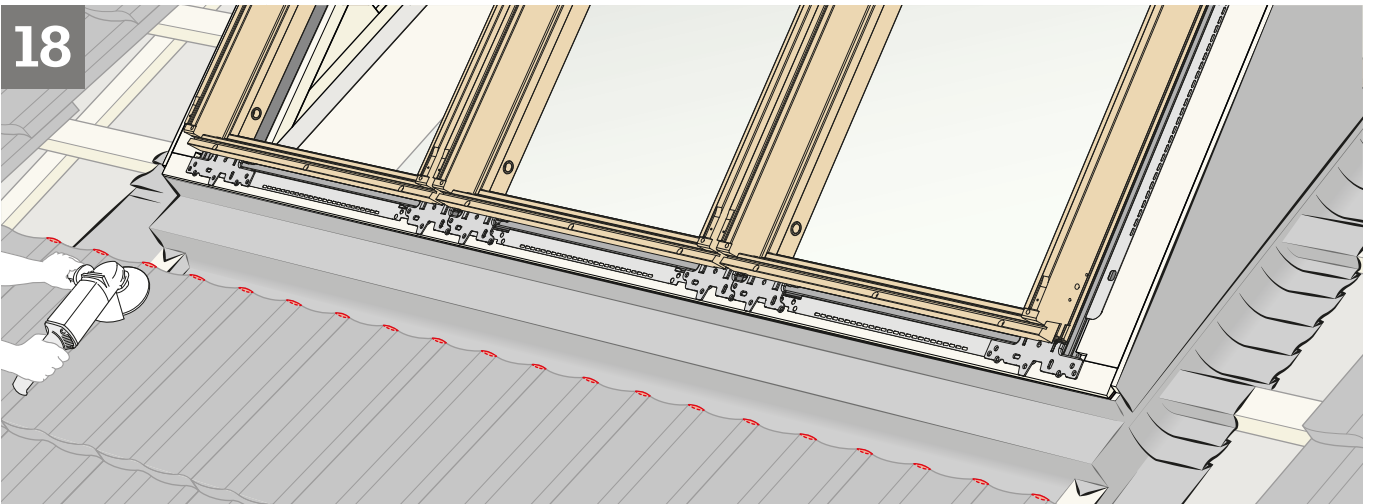
4

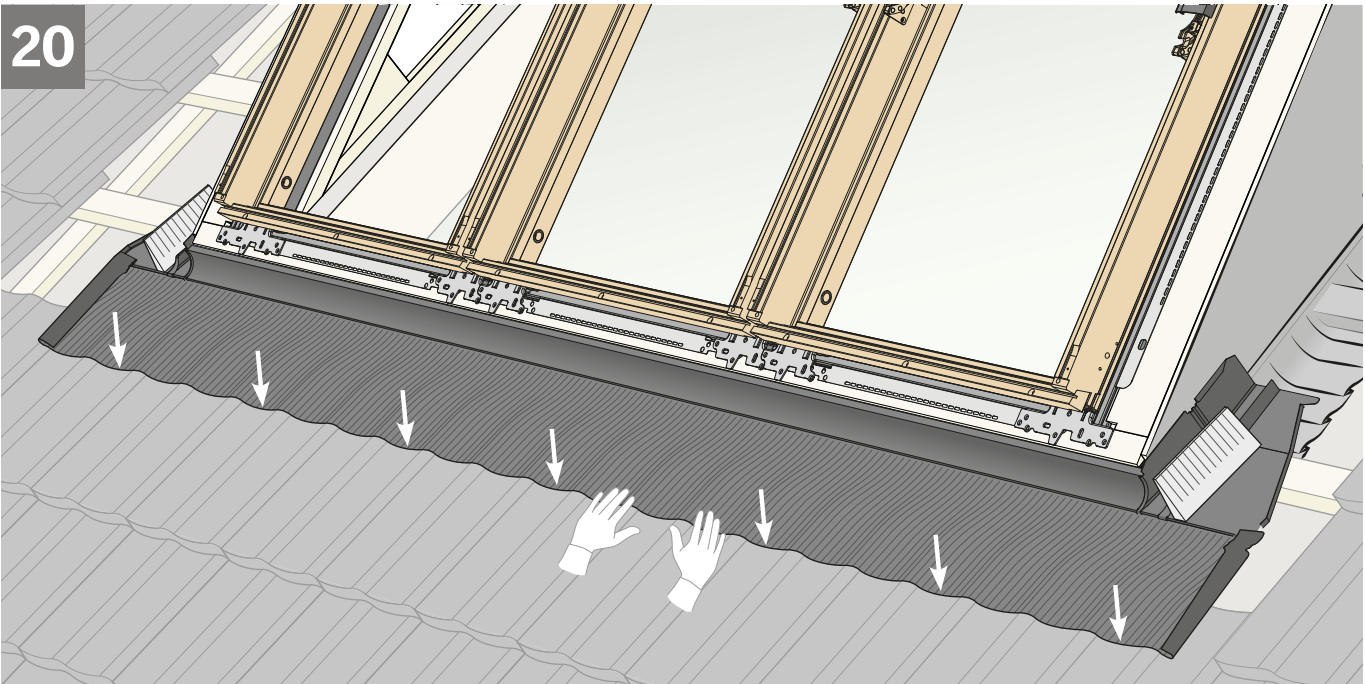
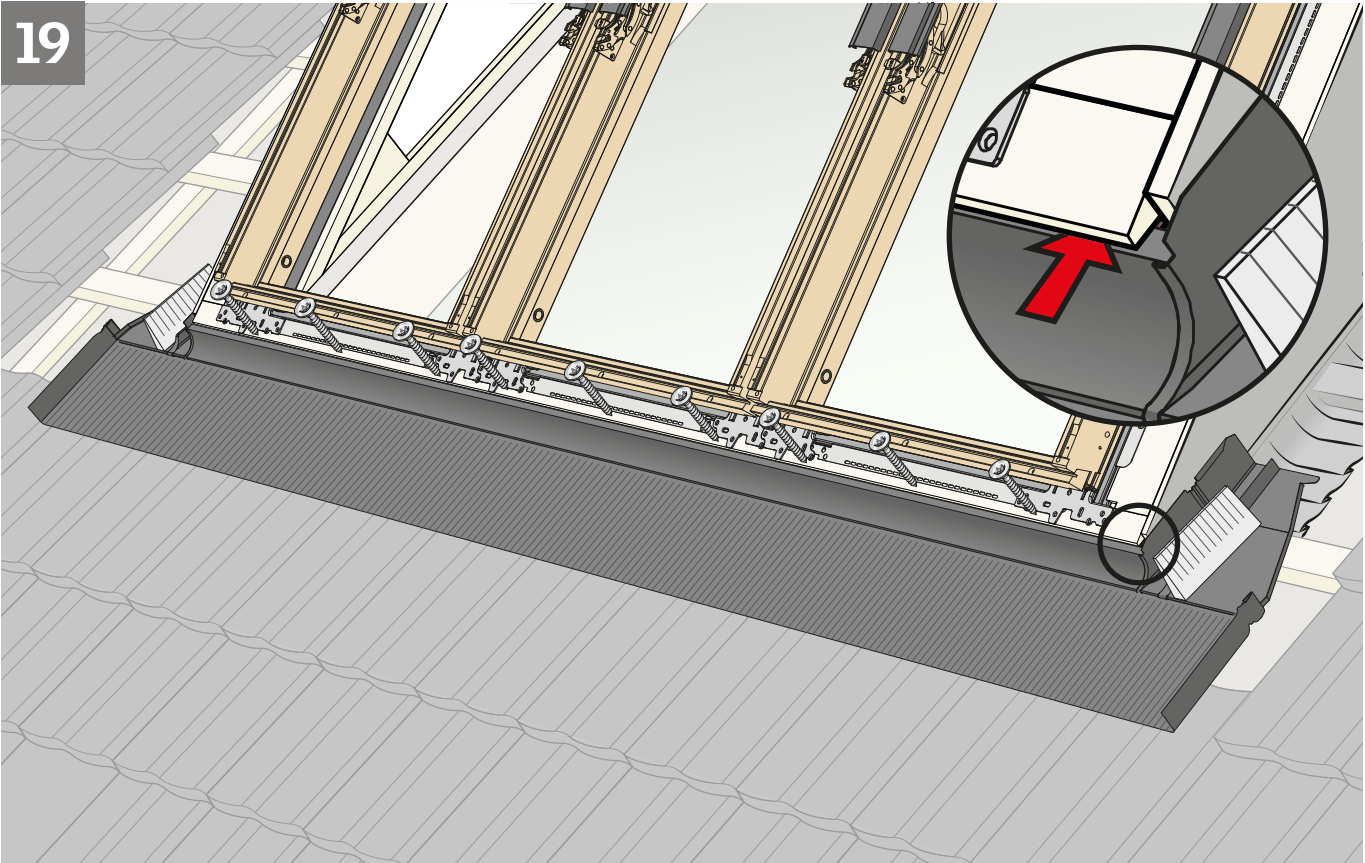
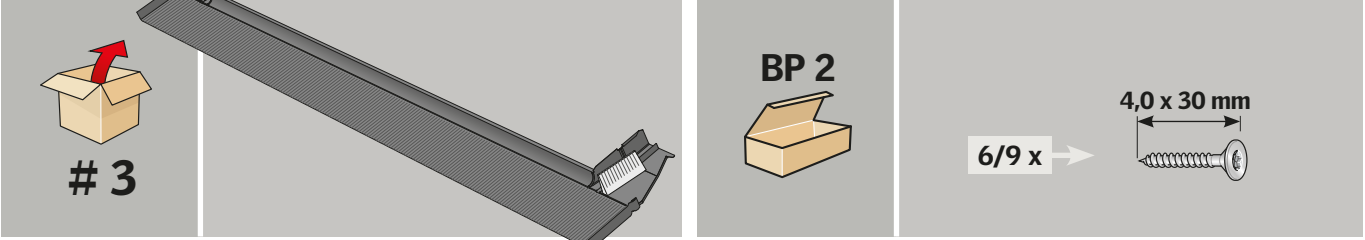


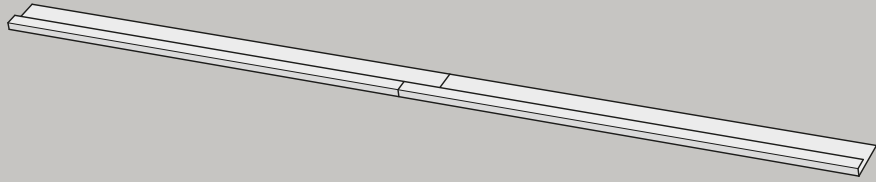
17



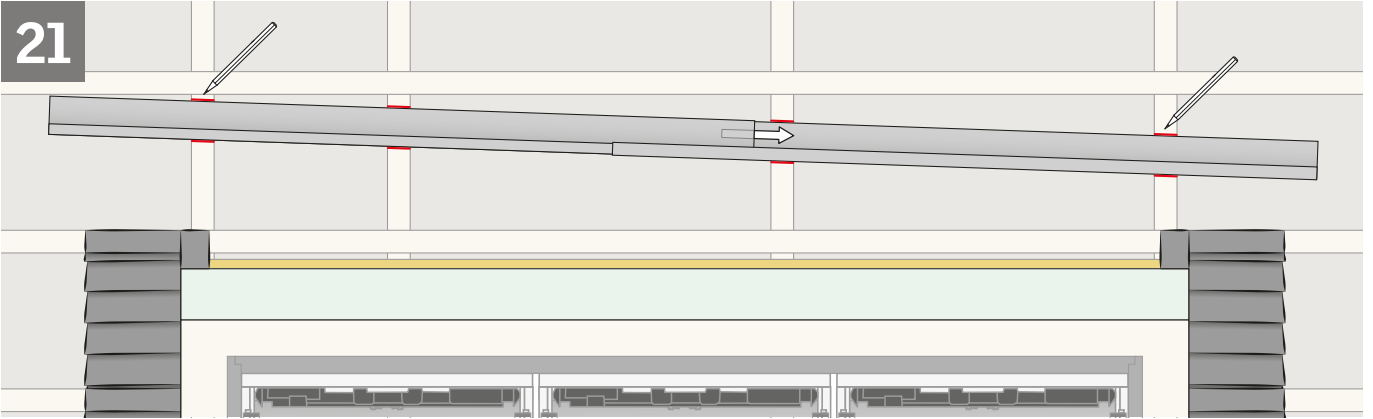
18



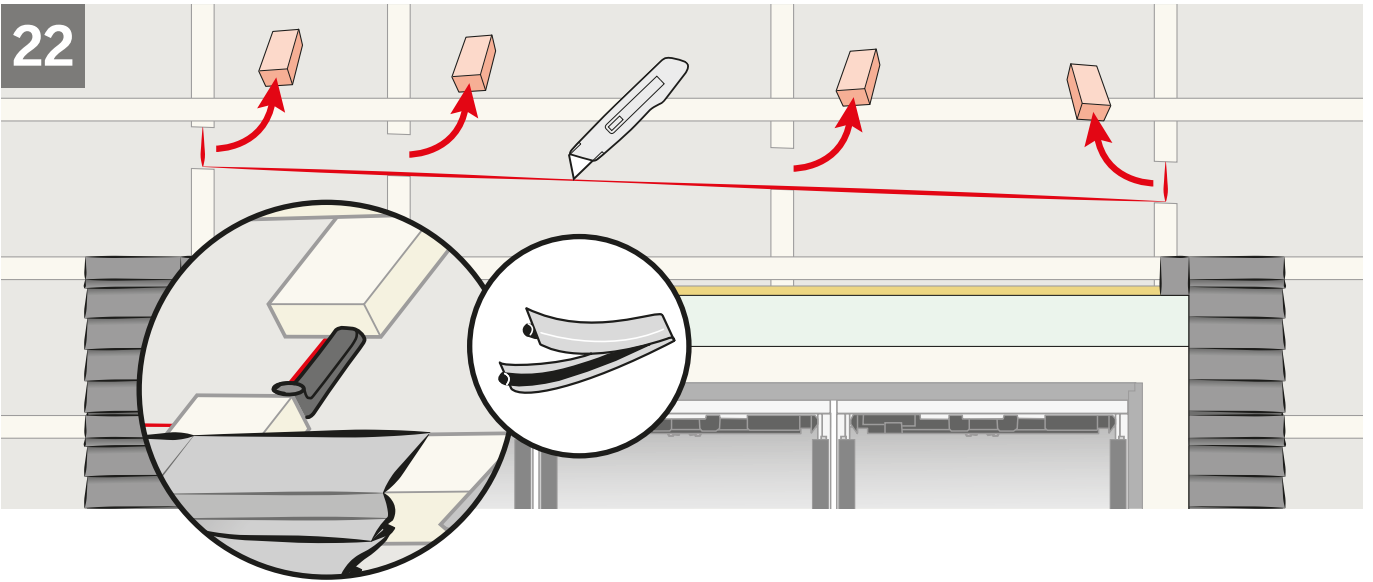




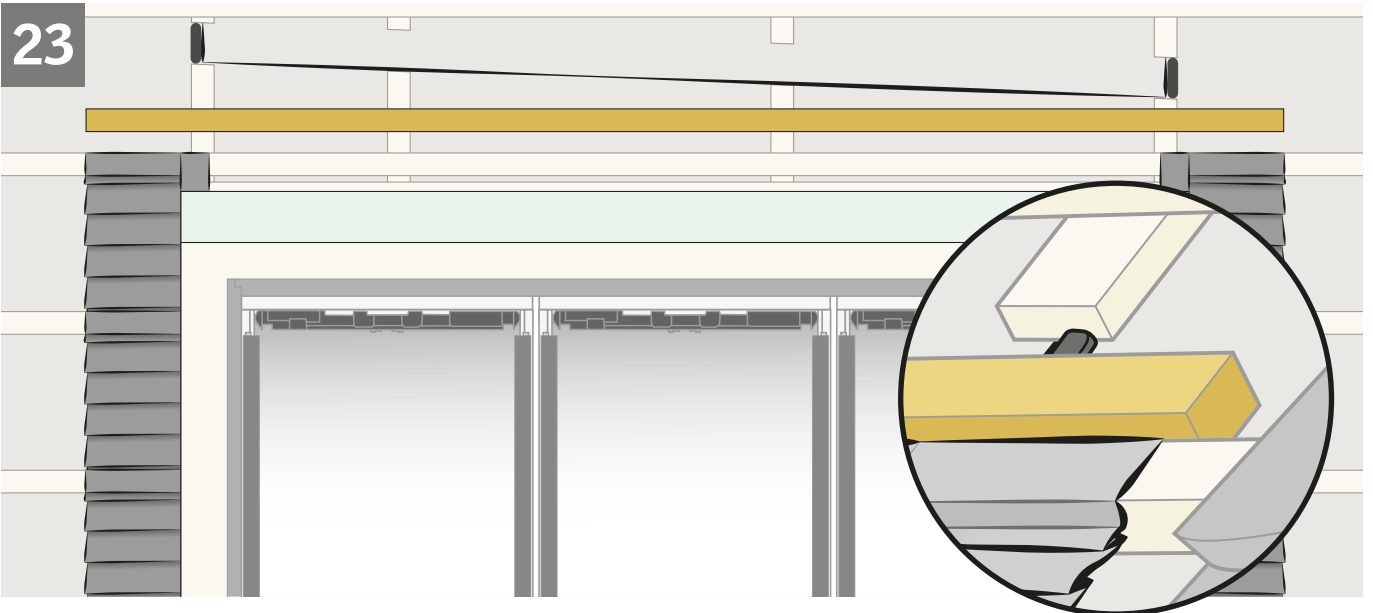
21



22

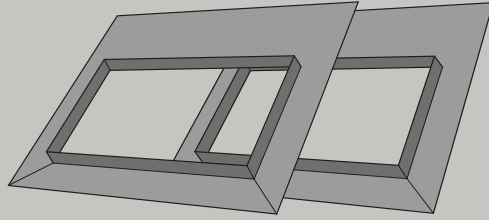


23

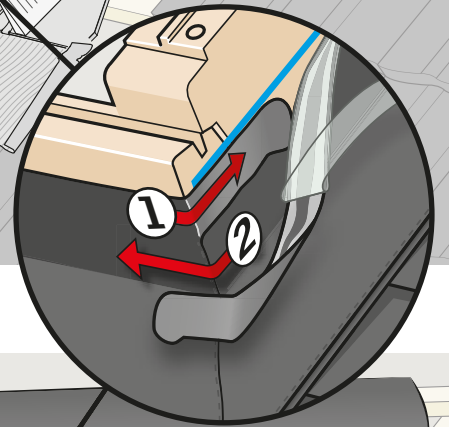
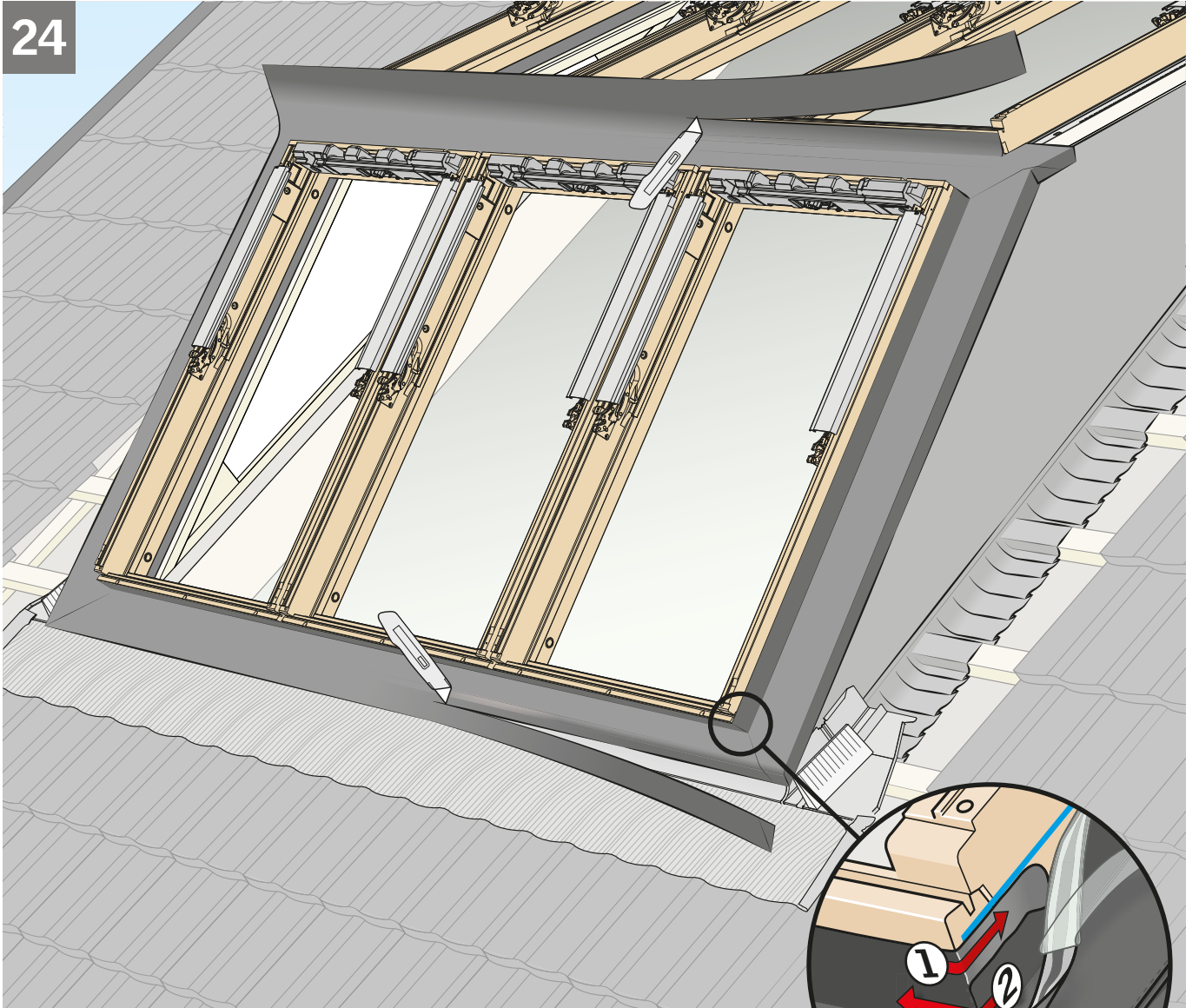




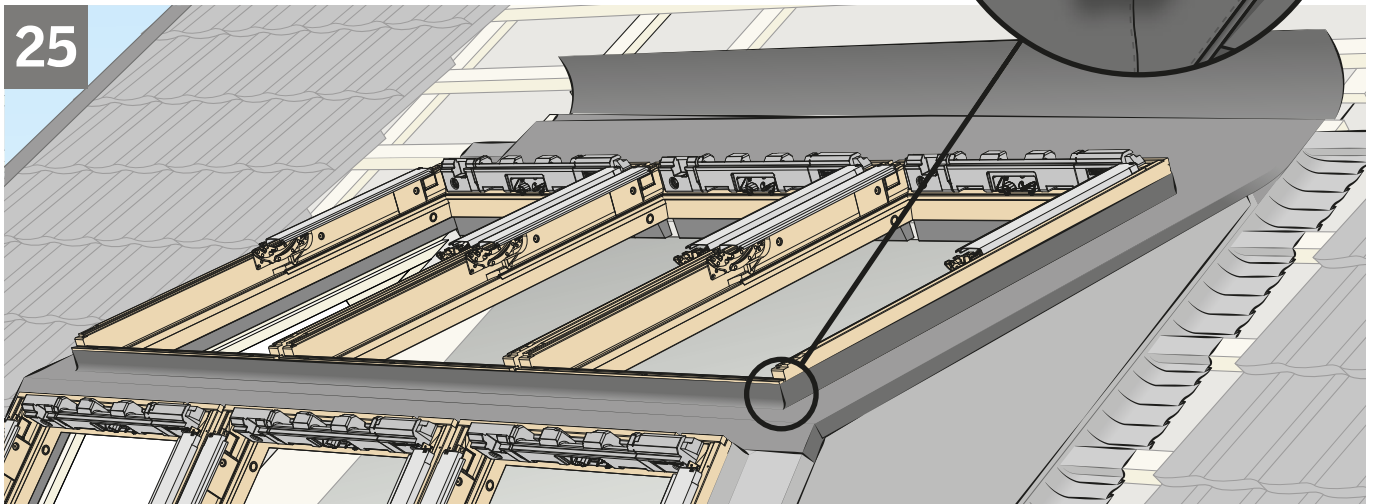
4



24

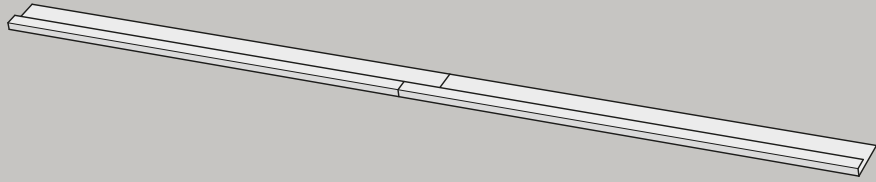


25

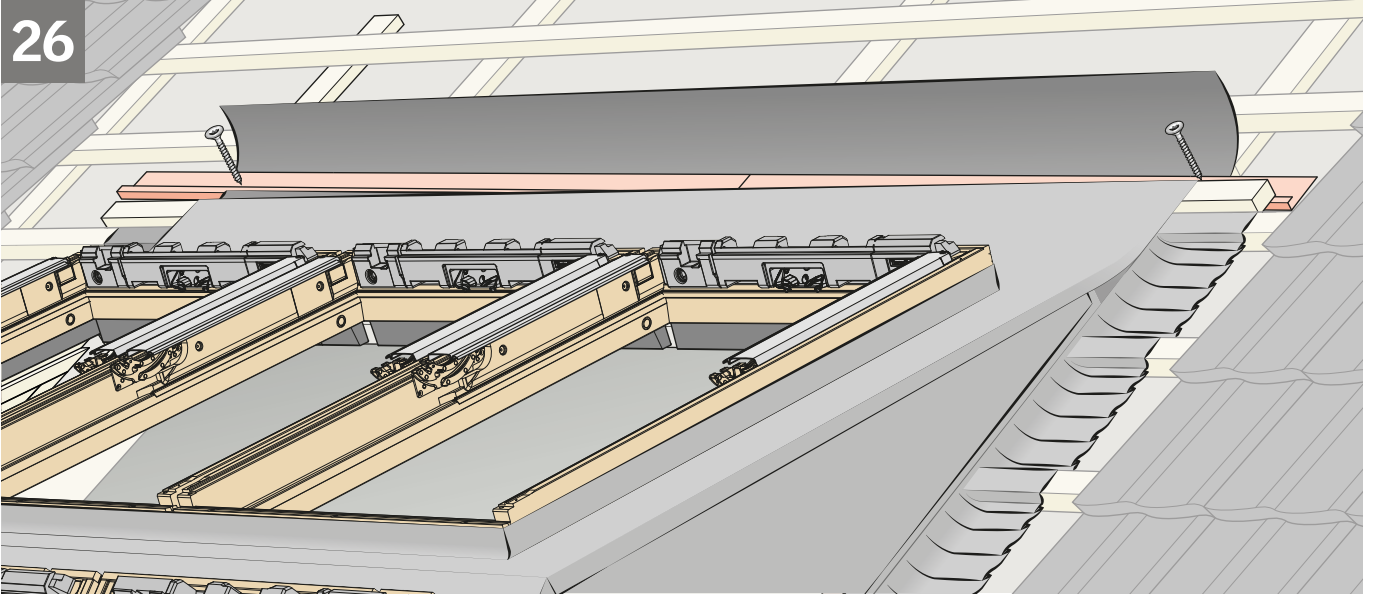




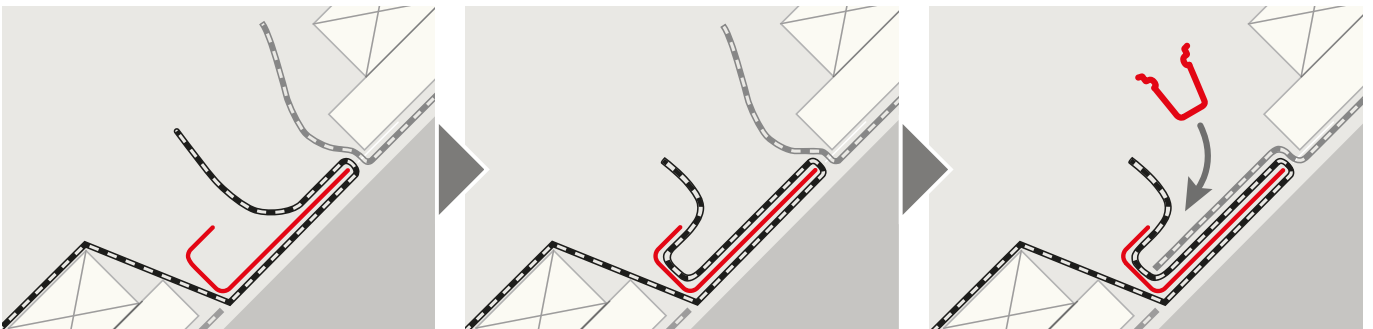
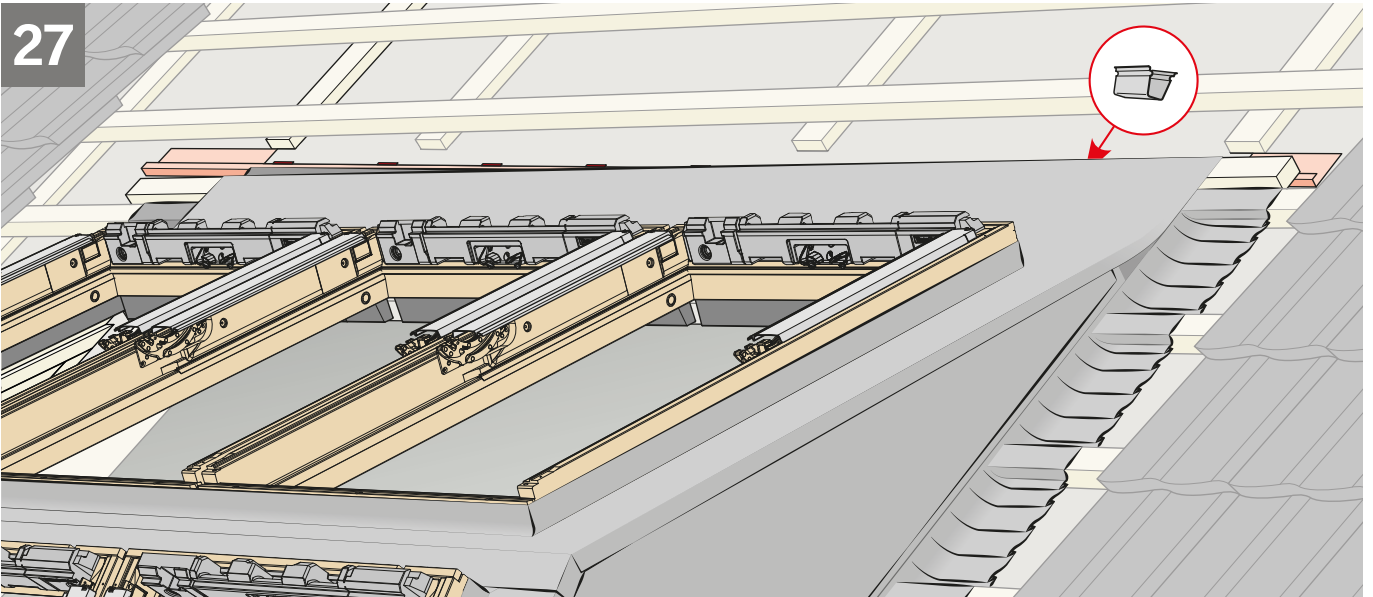
4

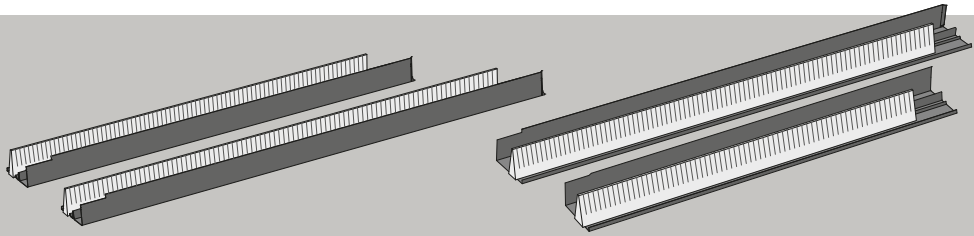


26

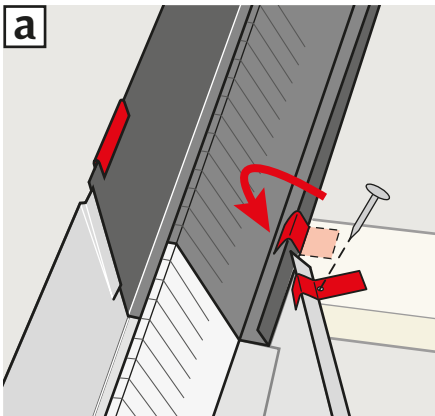
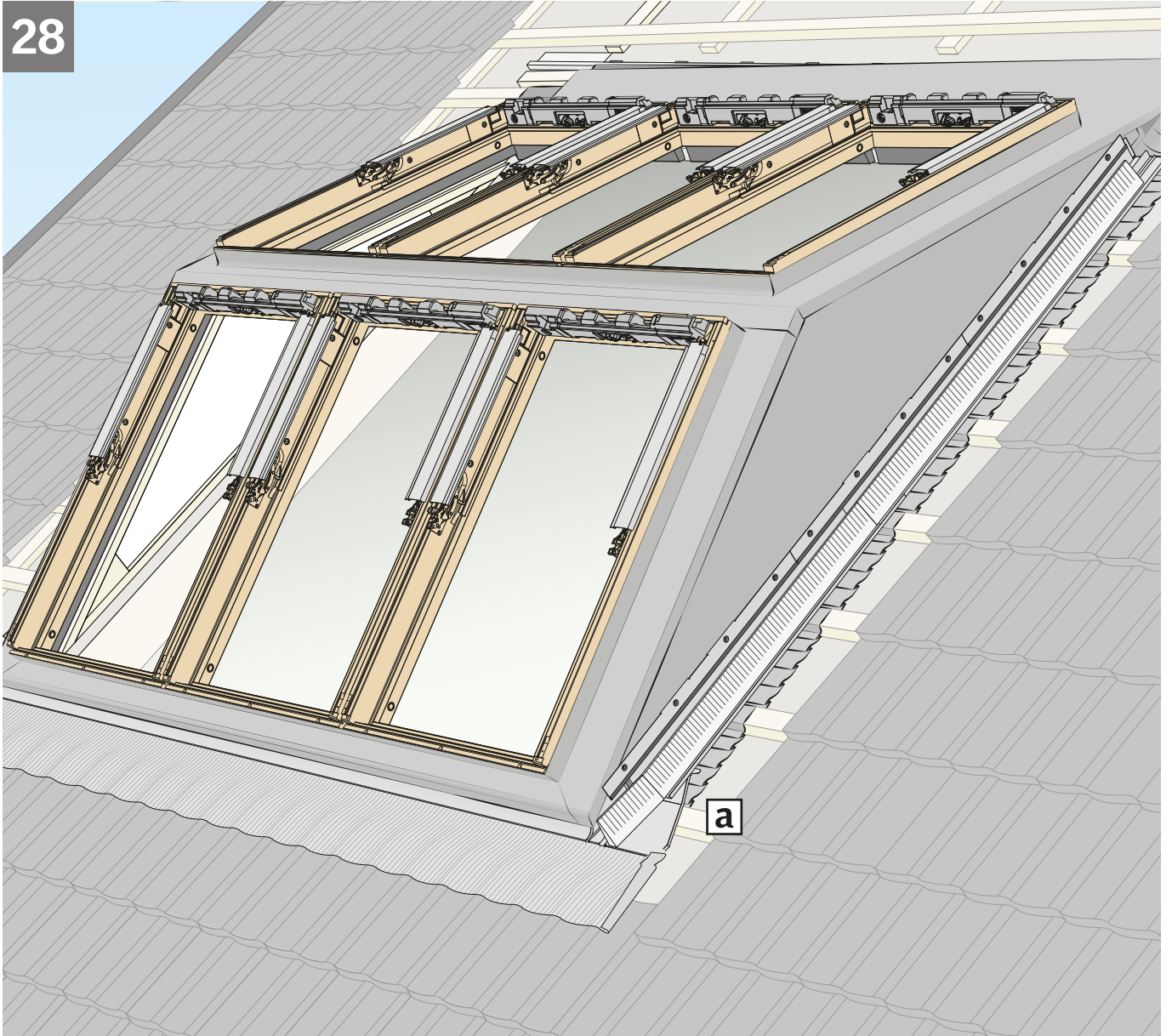


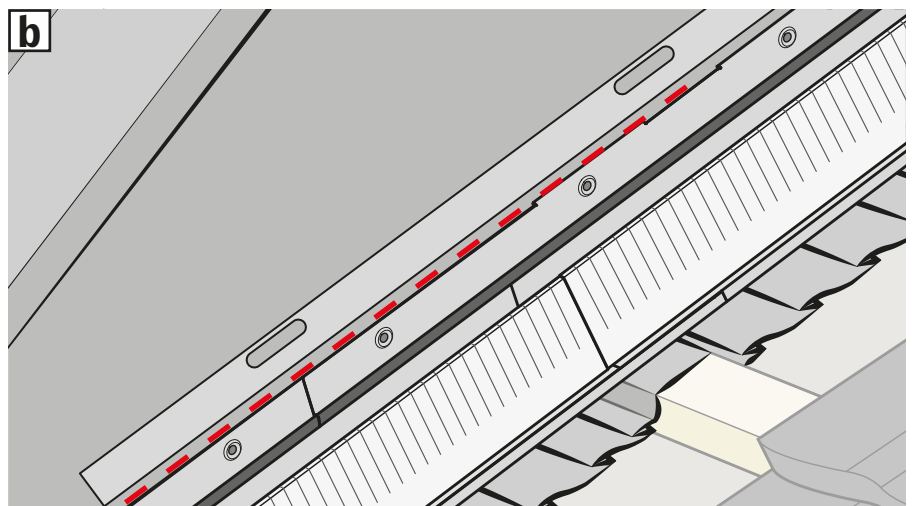
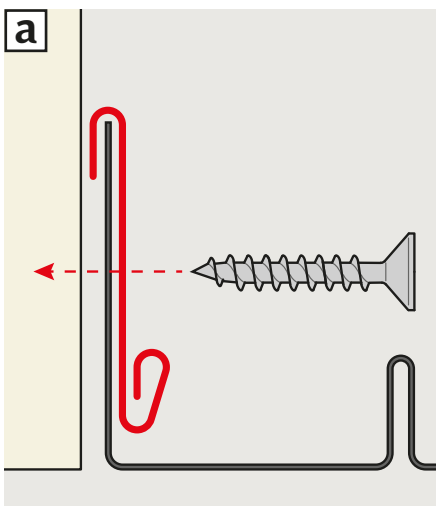
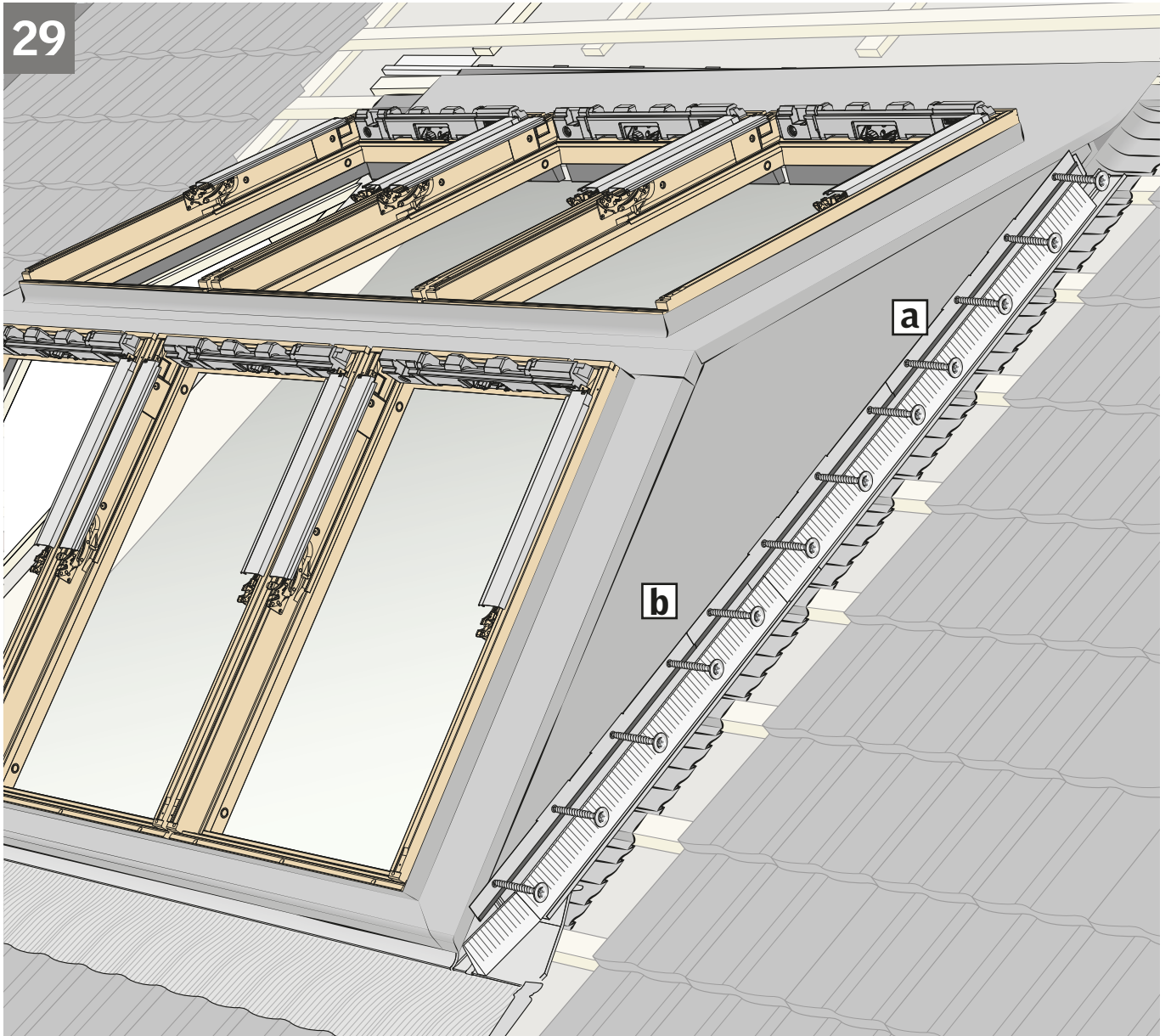
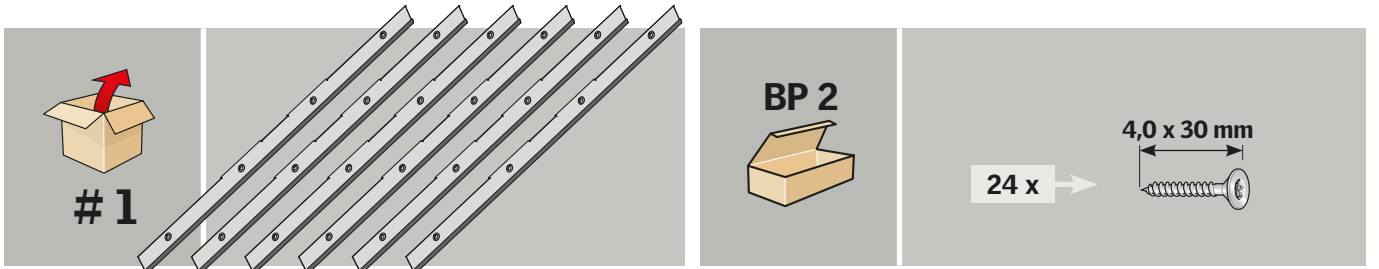
27

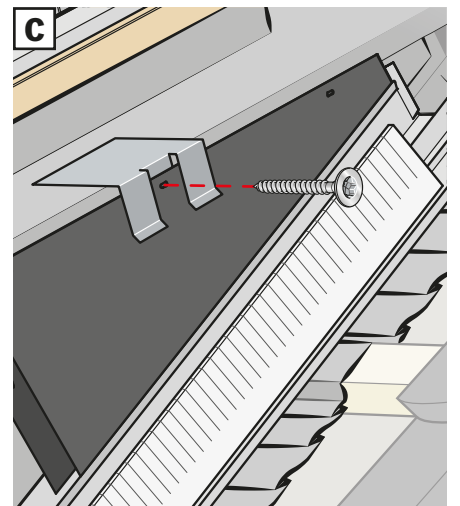
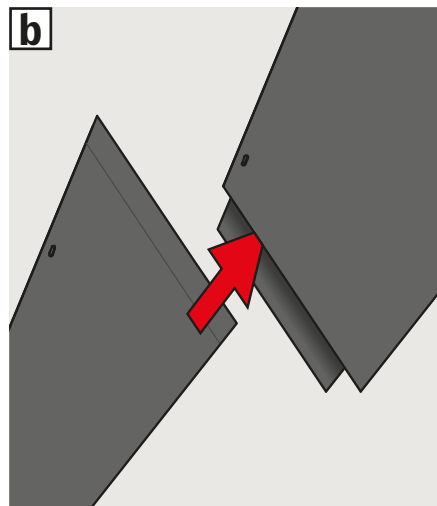
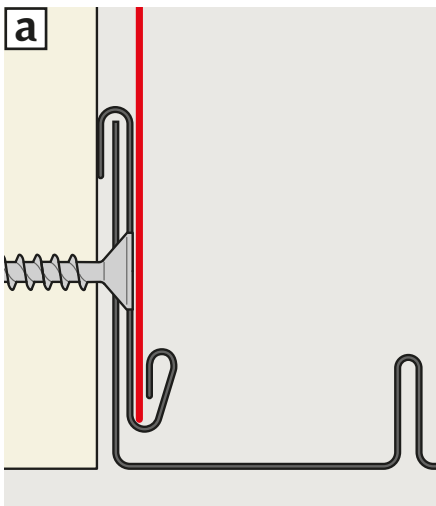
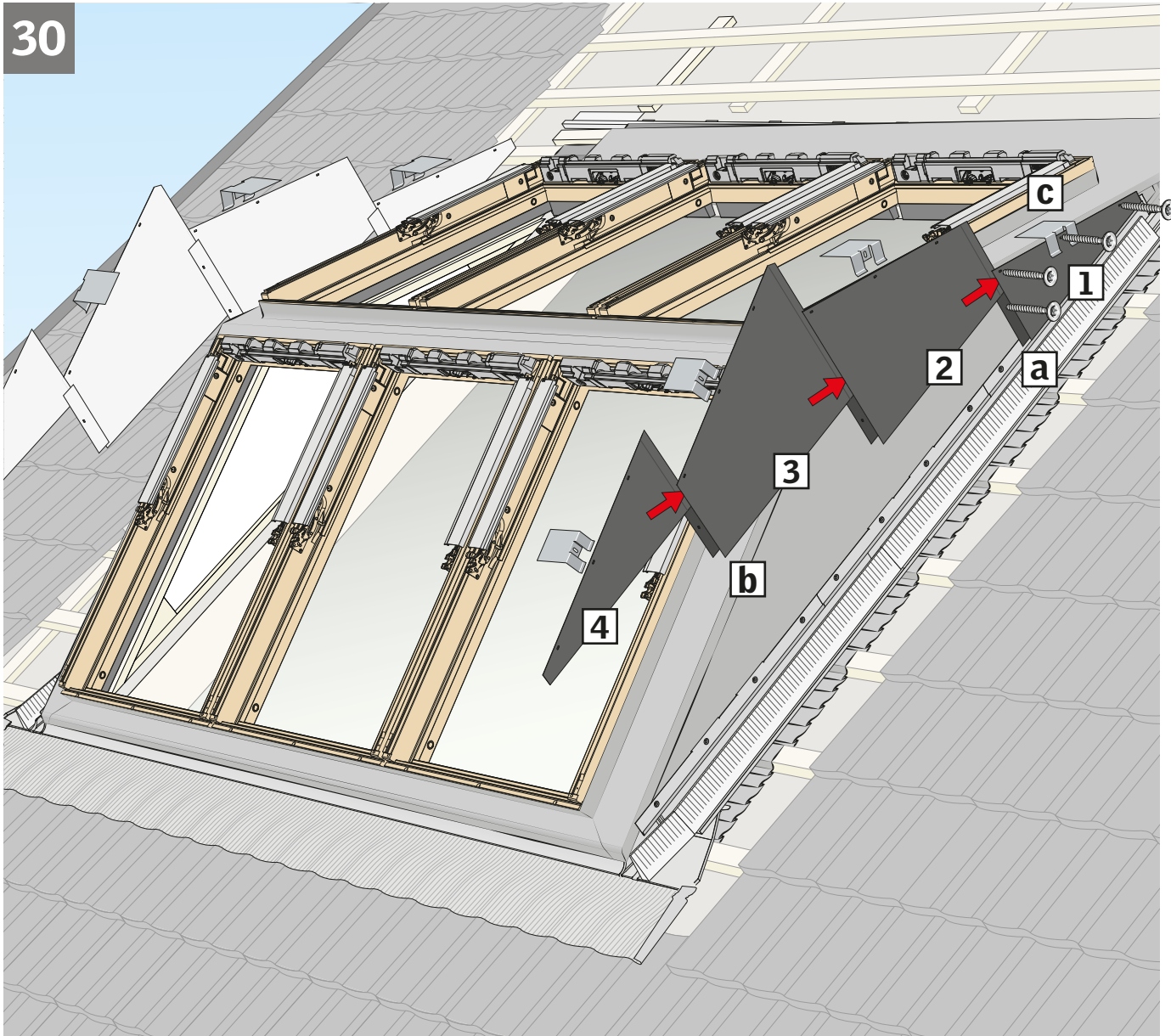
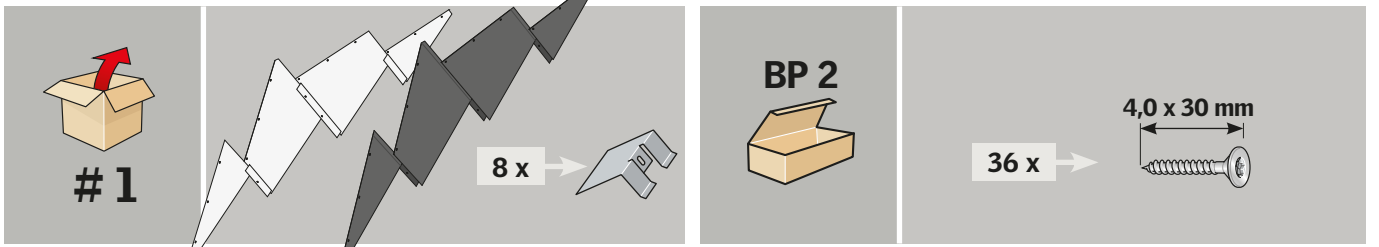


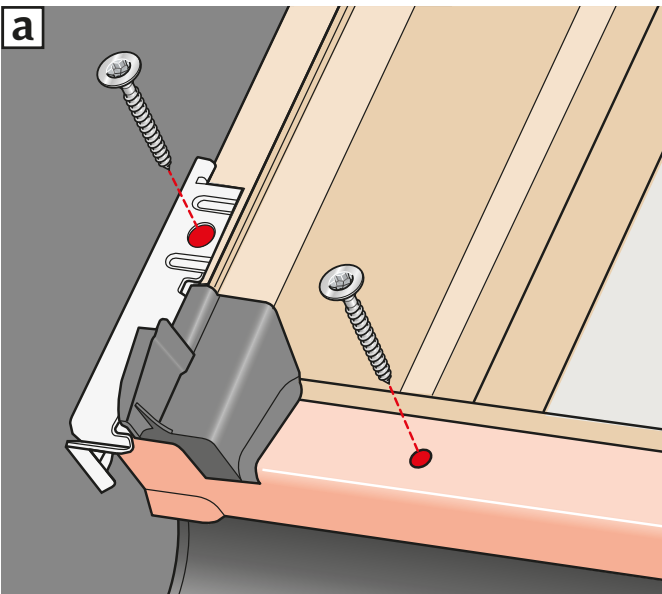
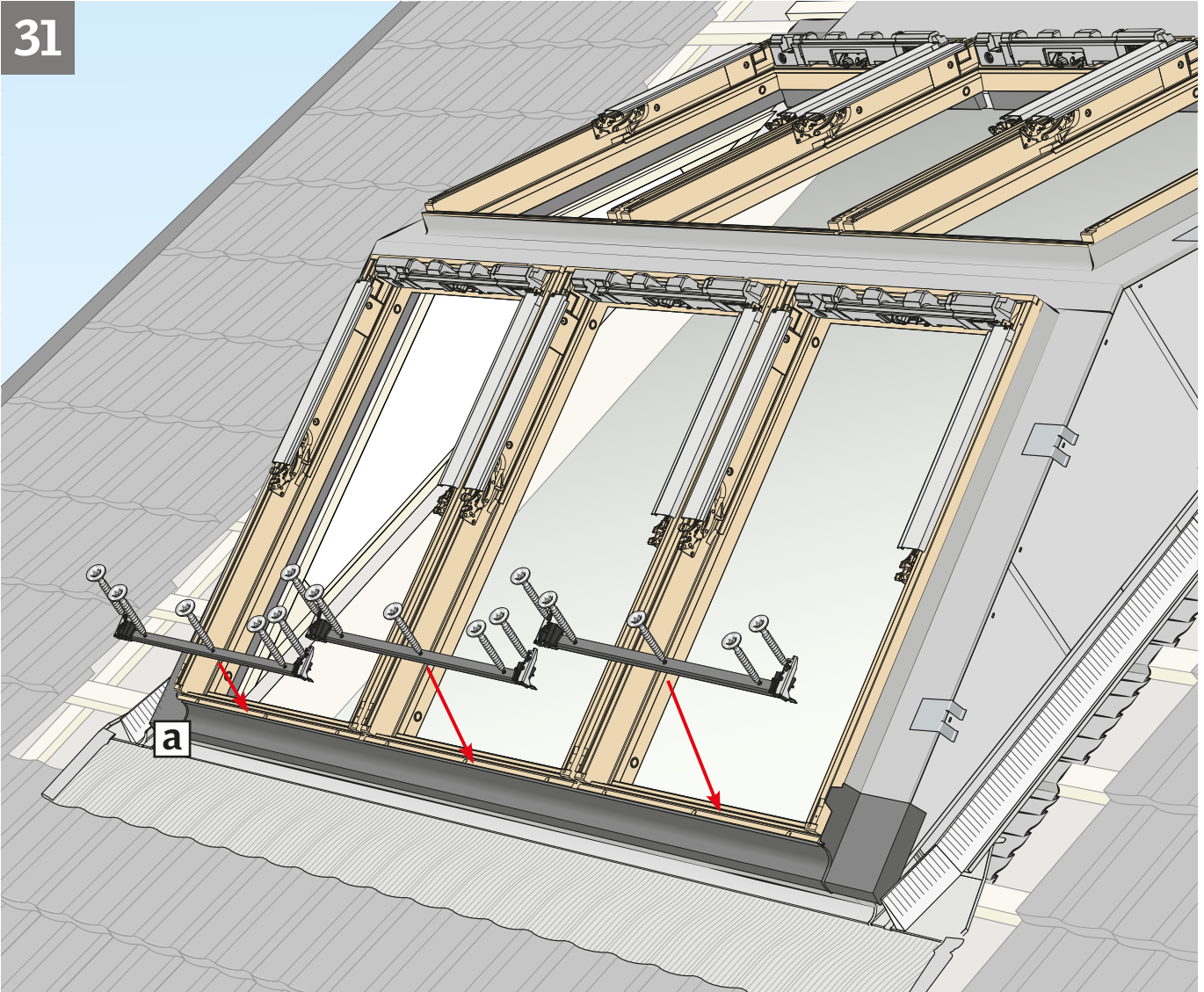
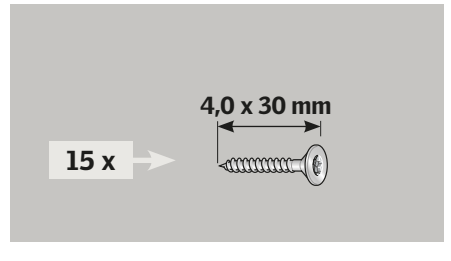
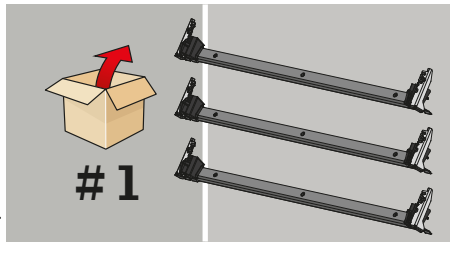
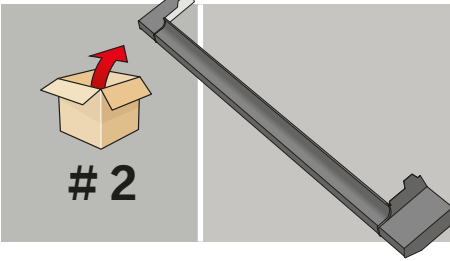


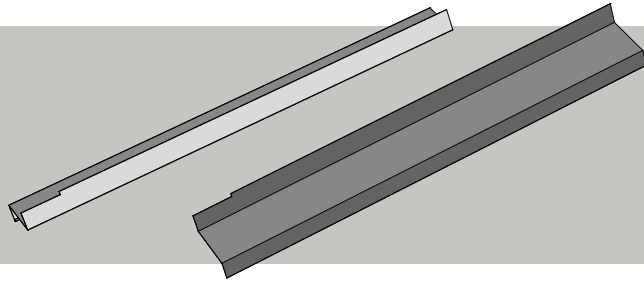
28



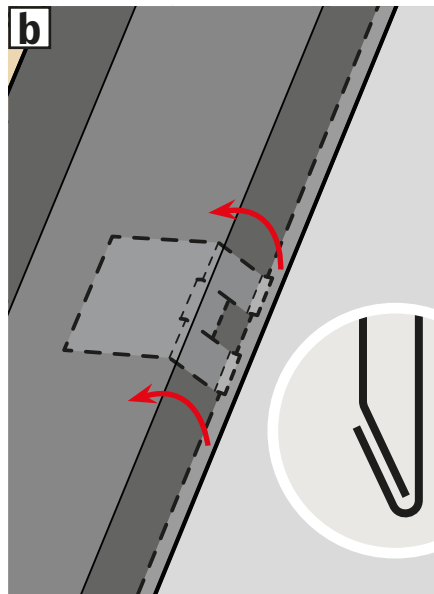
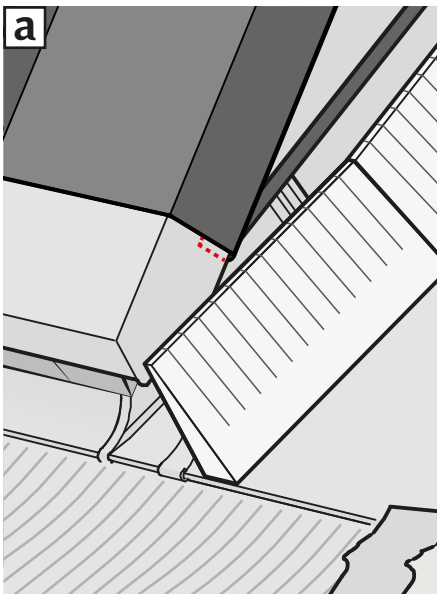
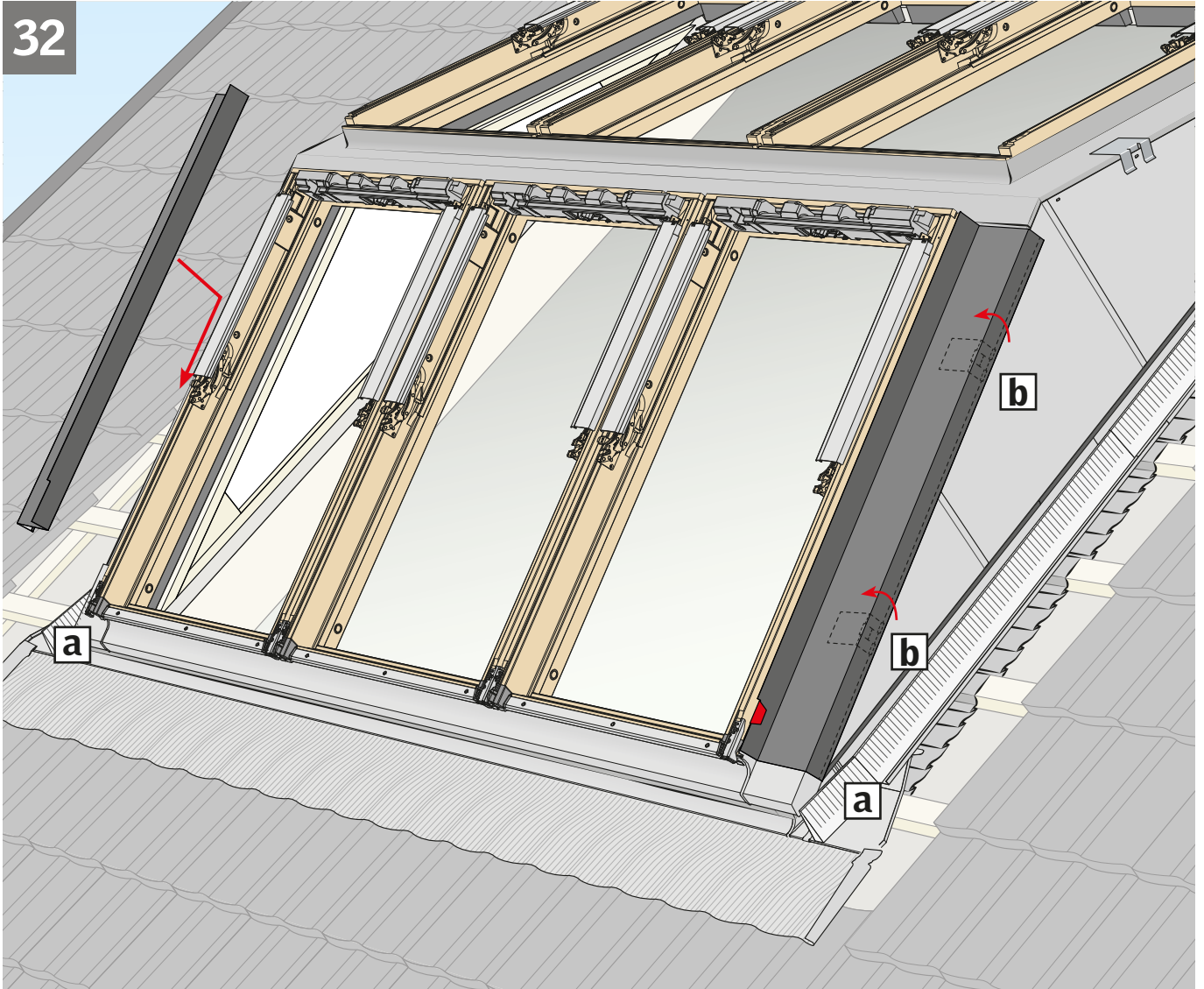


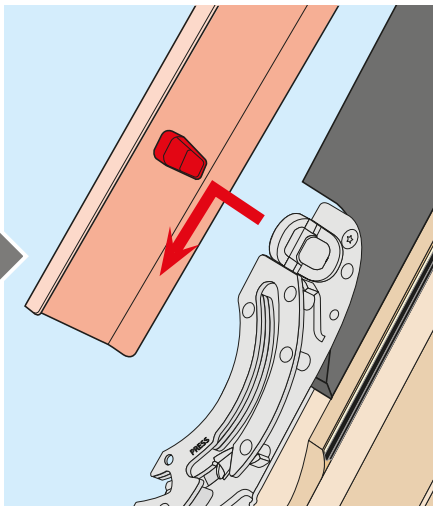
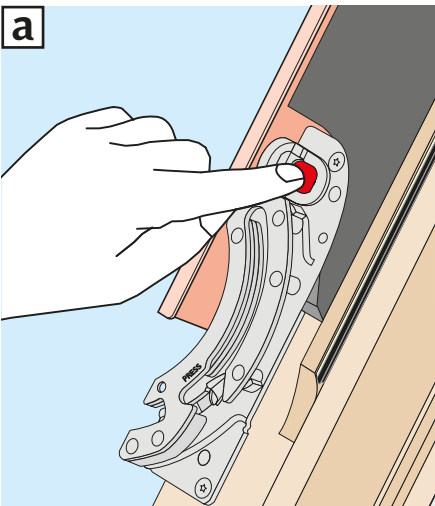
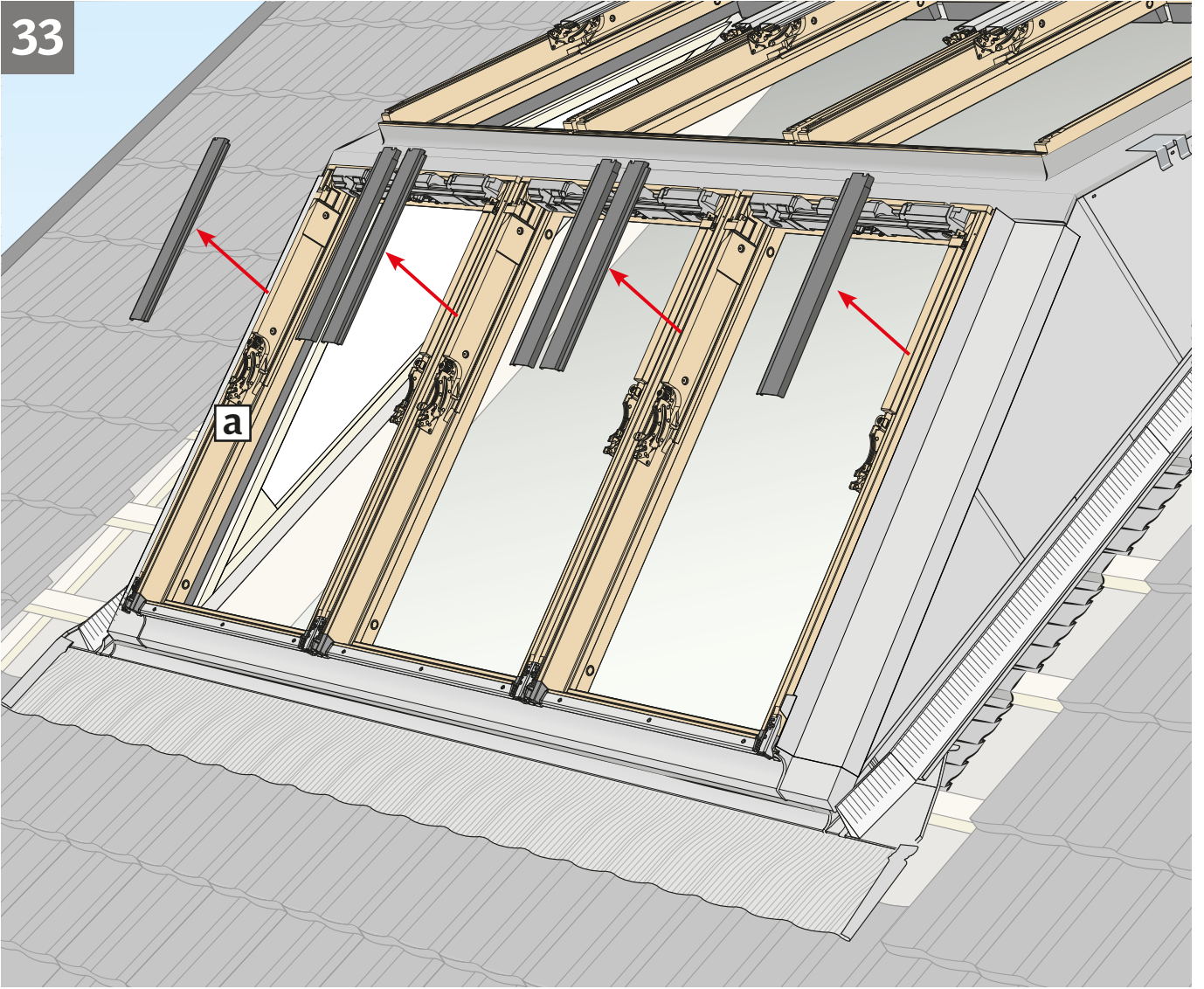






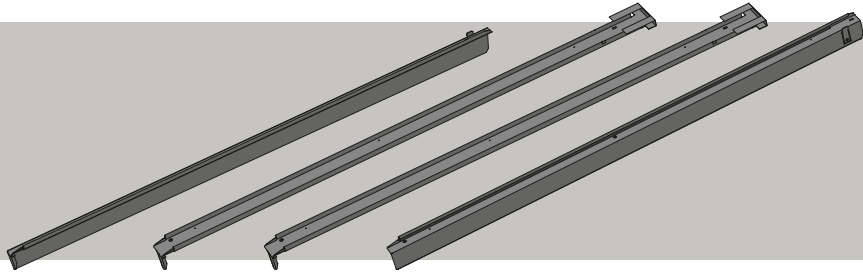
32



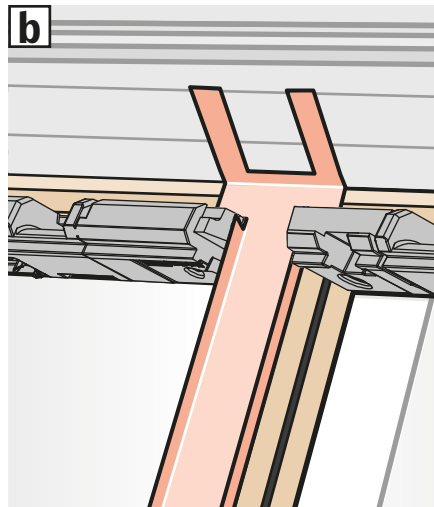
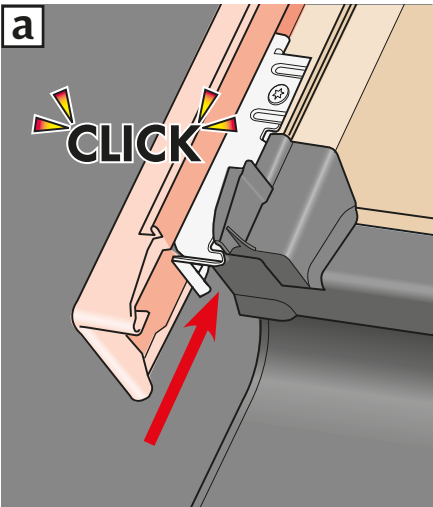
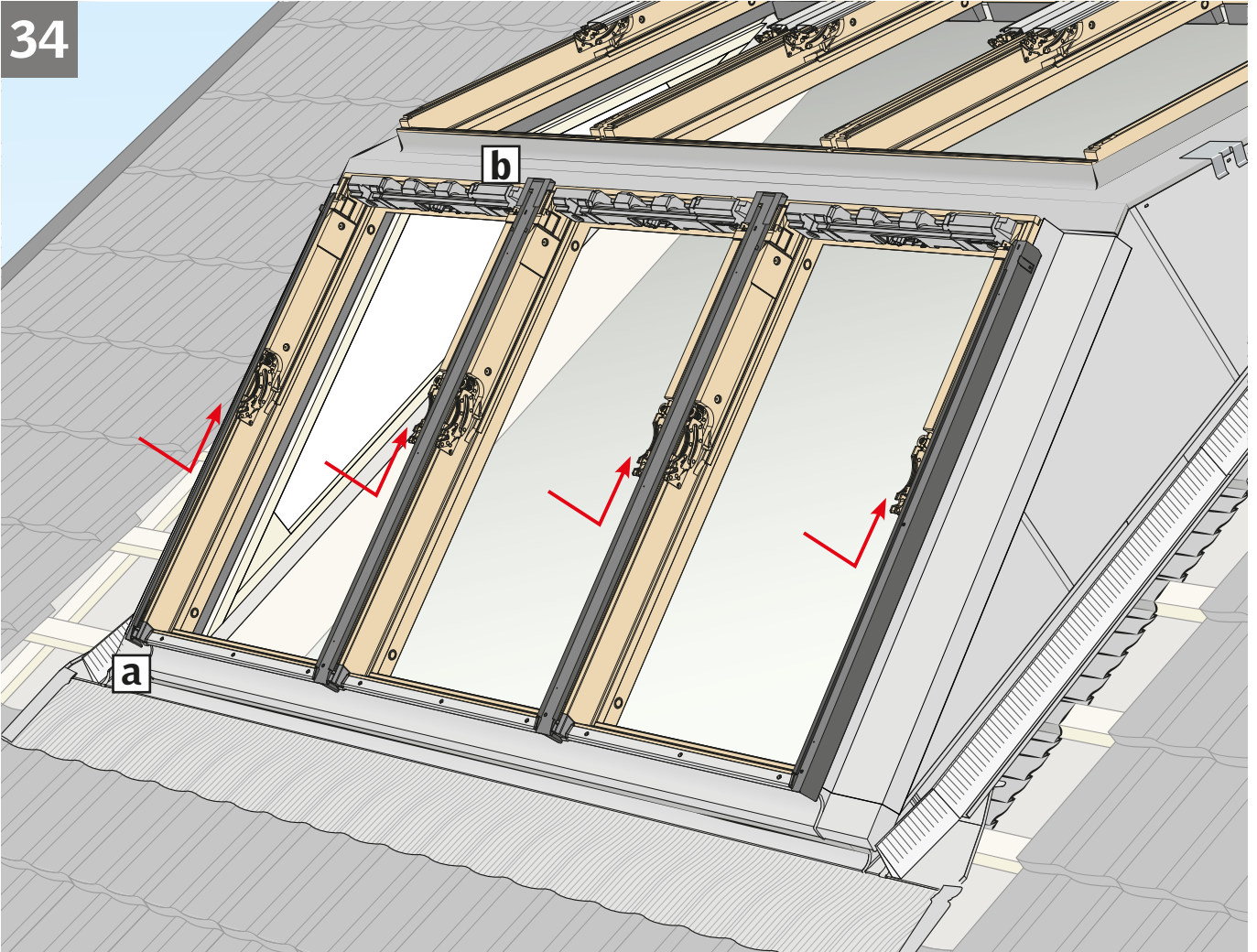


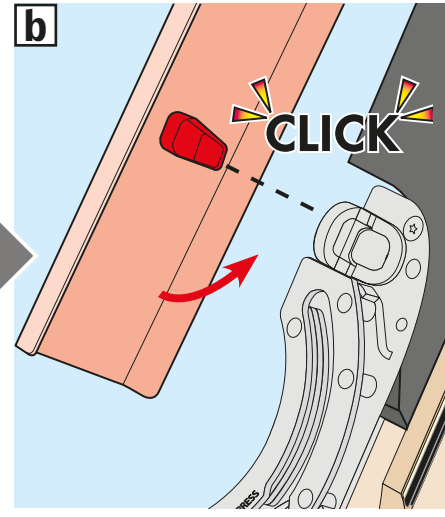
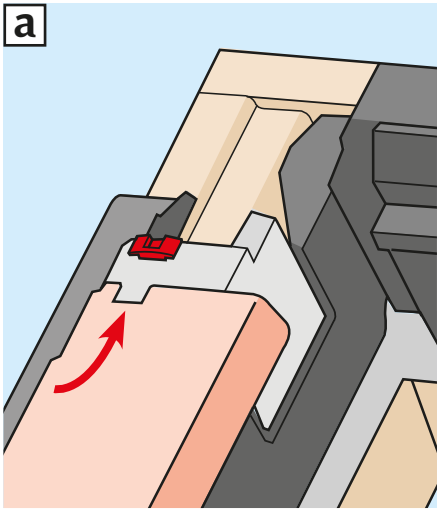
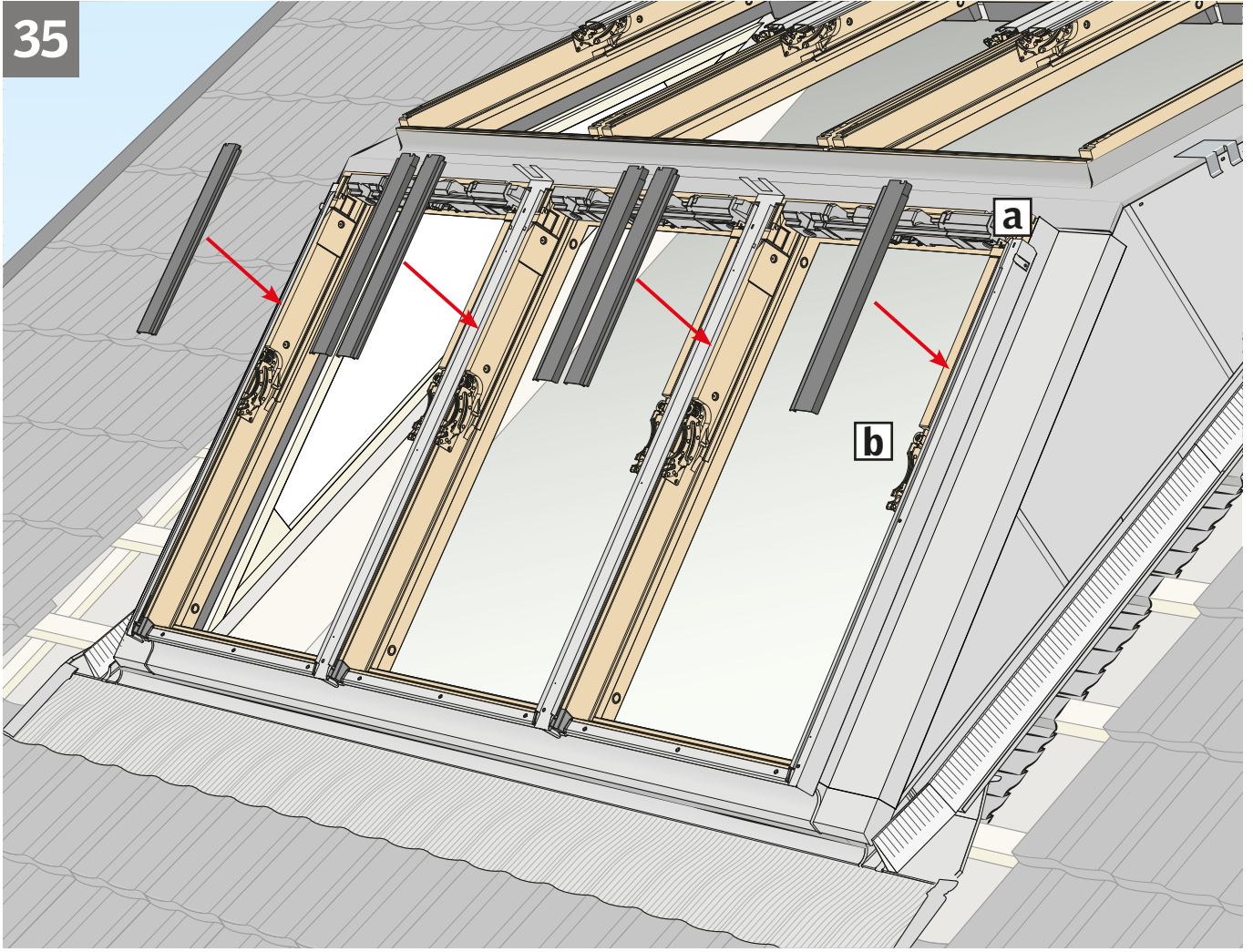


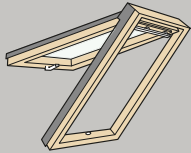
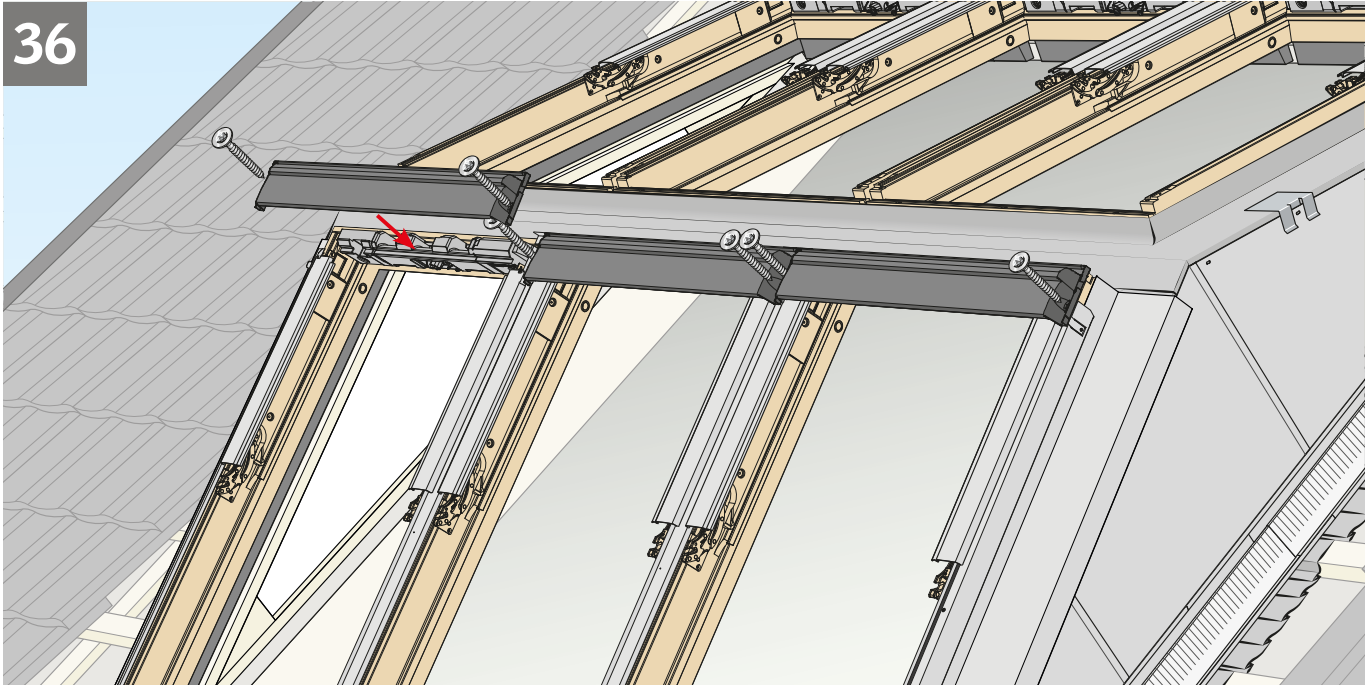
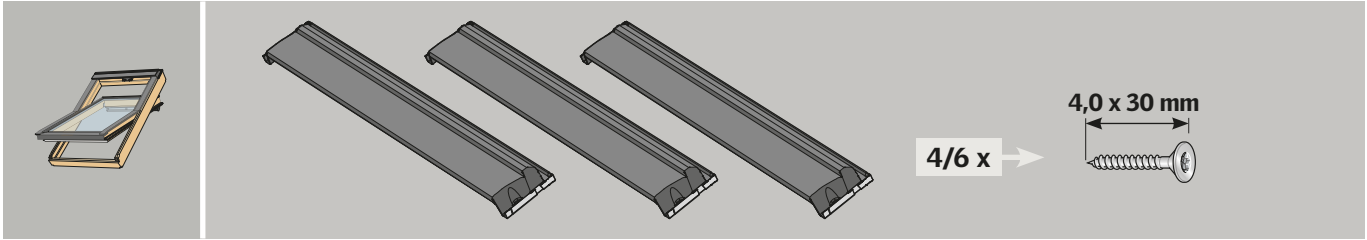
#1



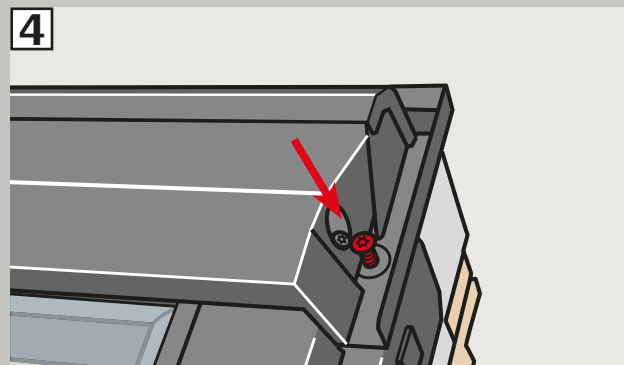
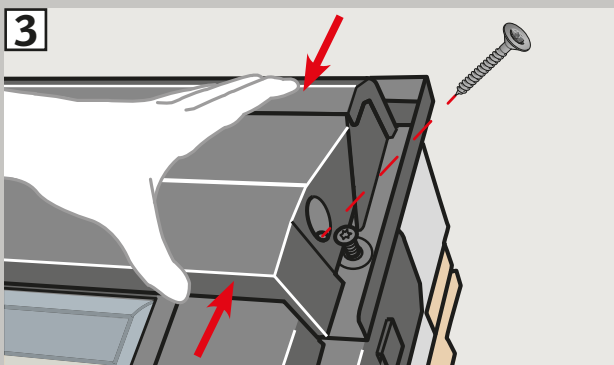
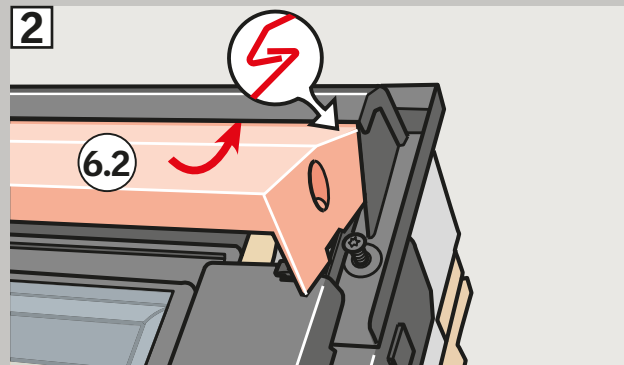
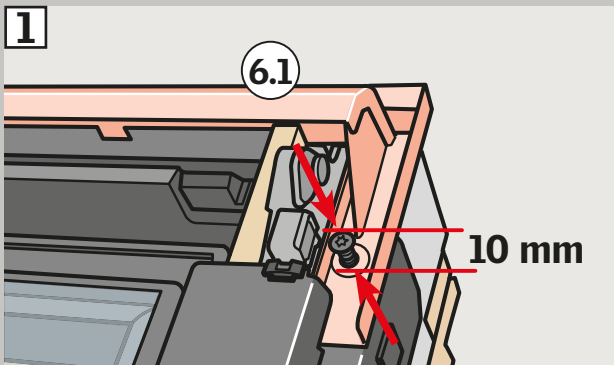
34

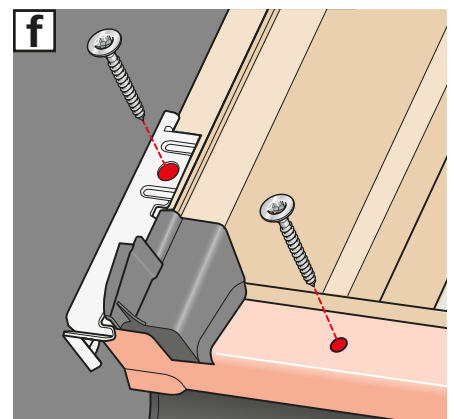
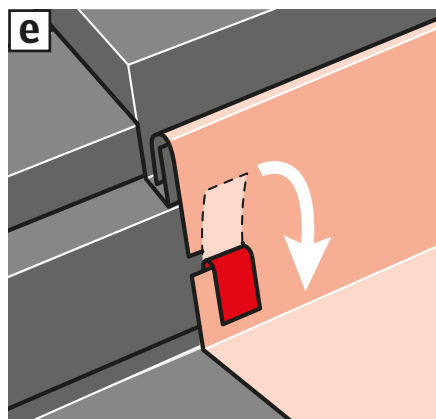
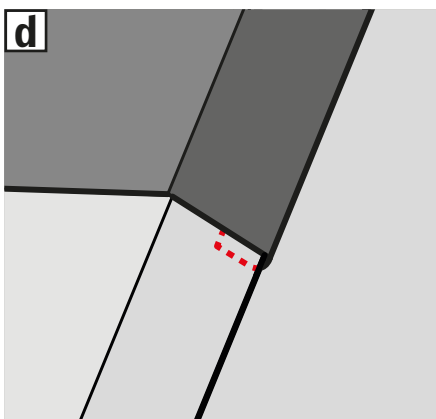
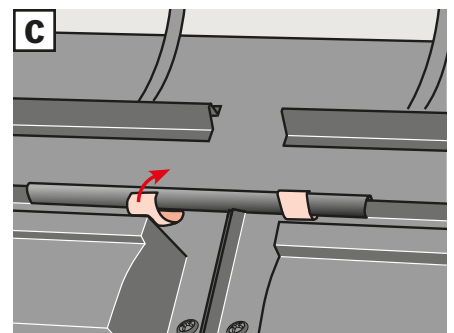
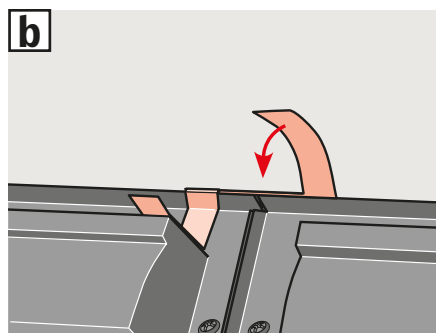
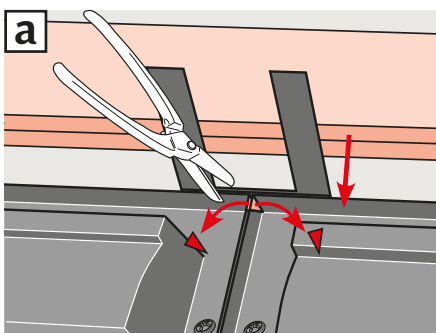
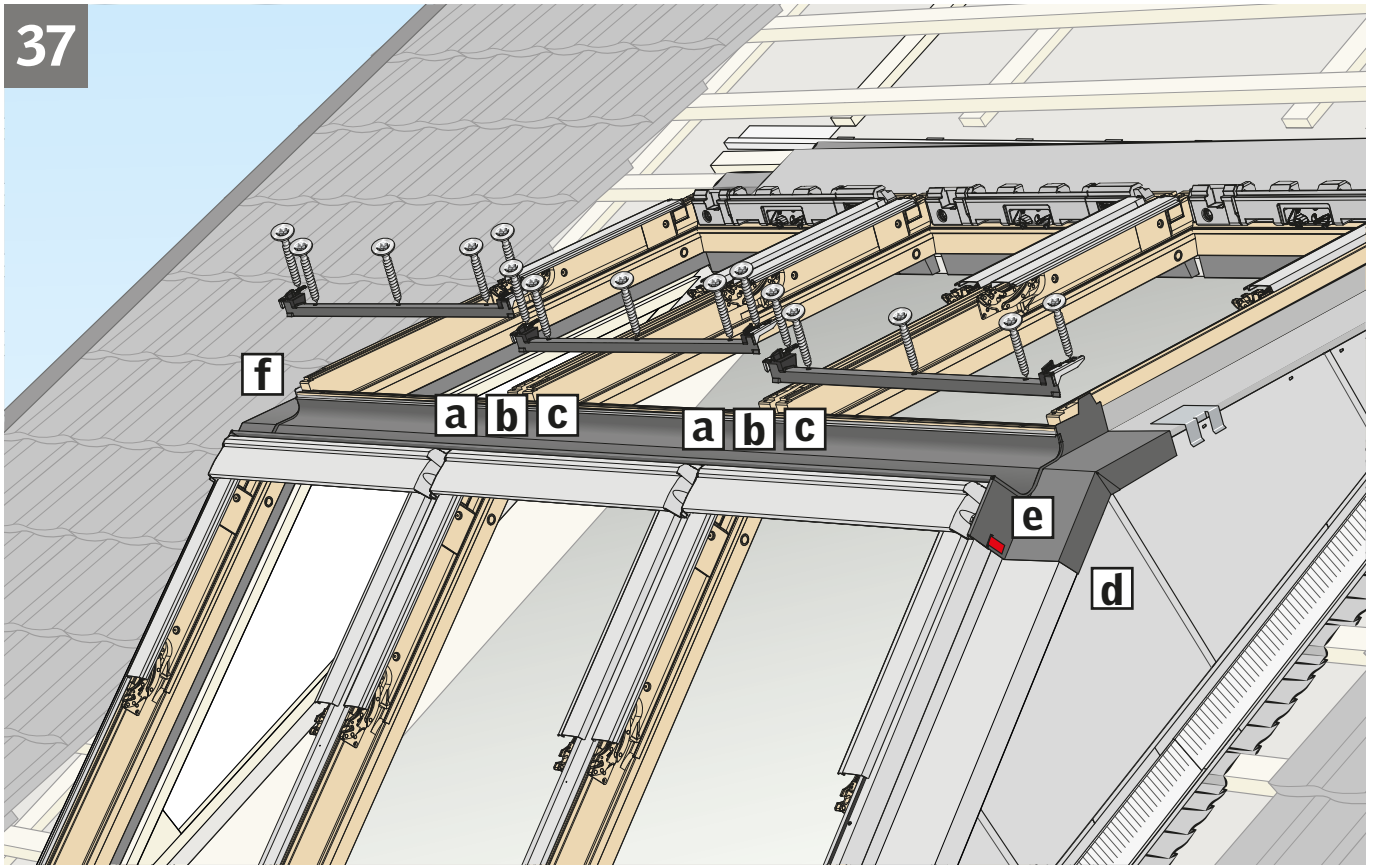
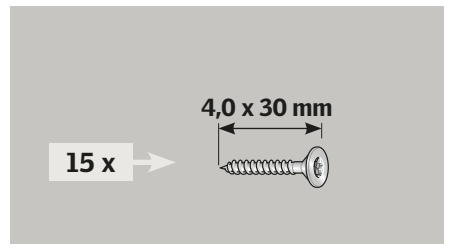
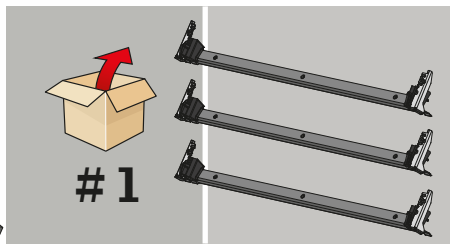
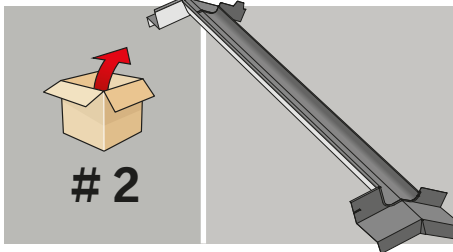


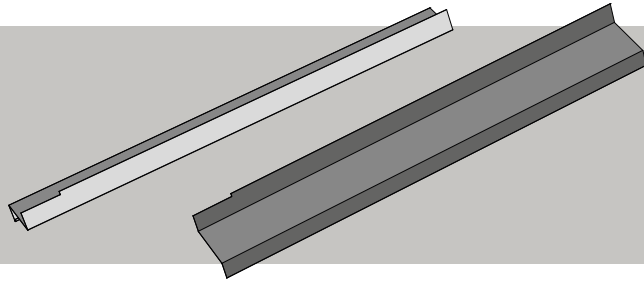




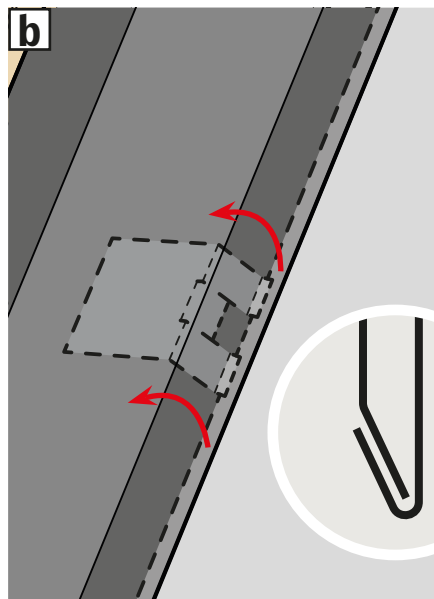
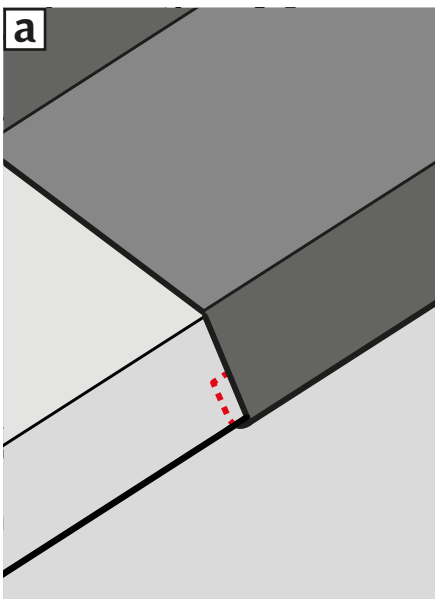
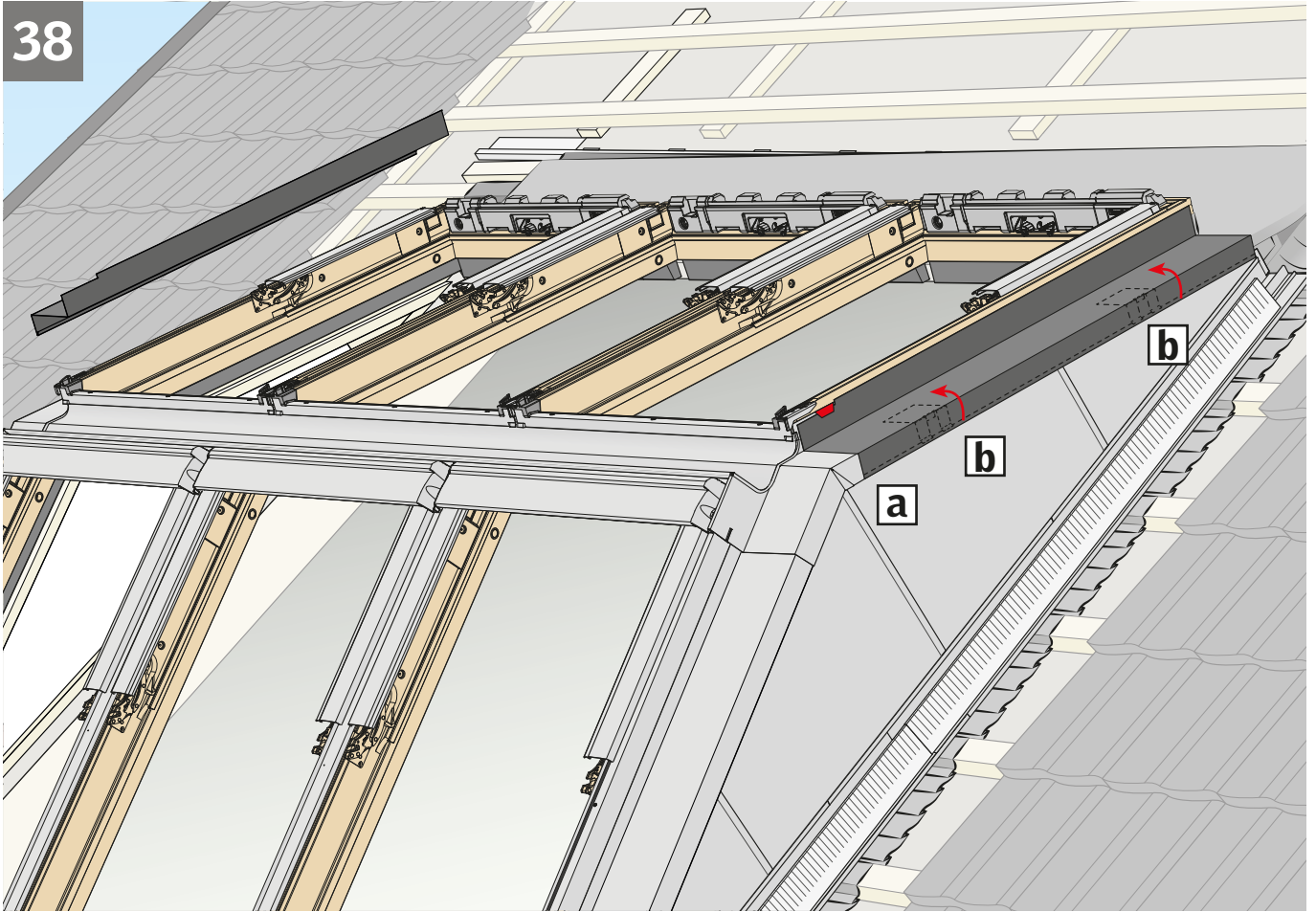
GPL / GPU





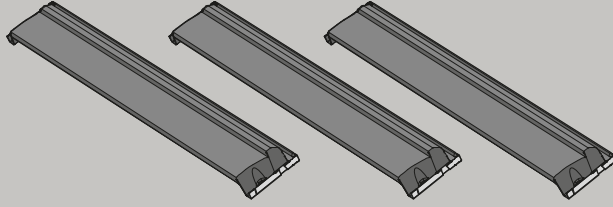
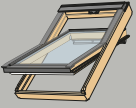
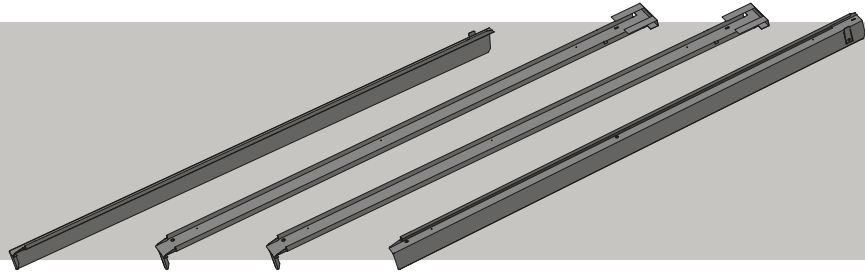


38

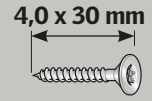




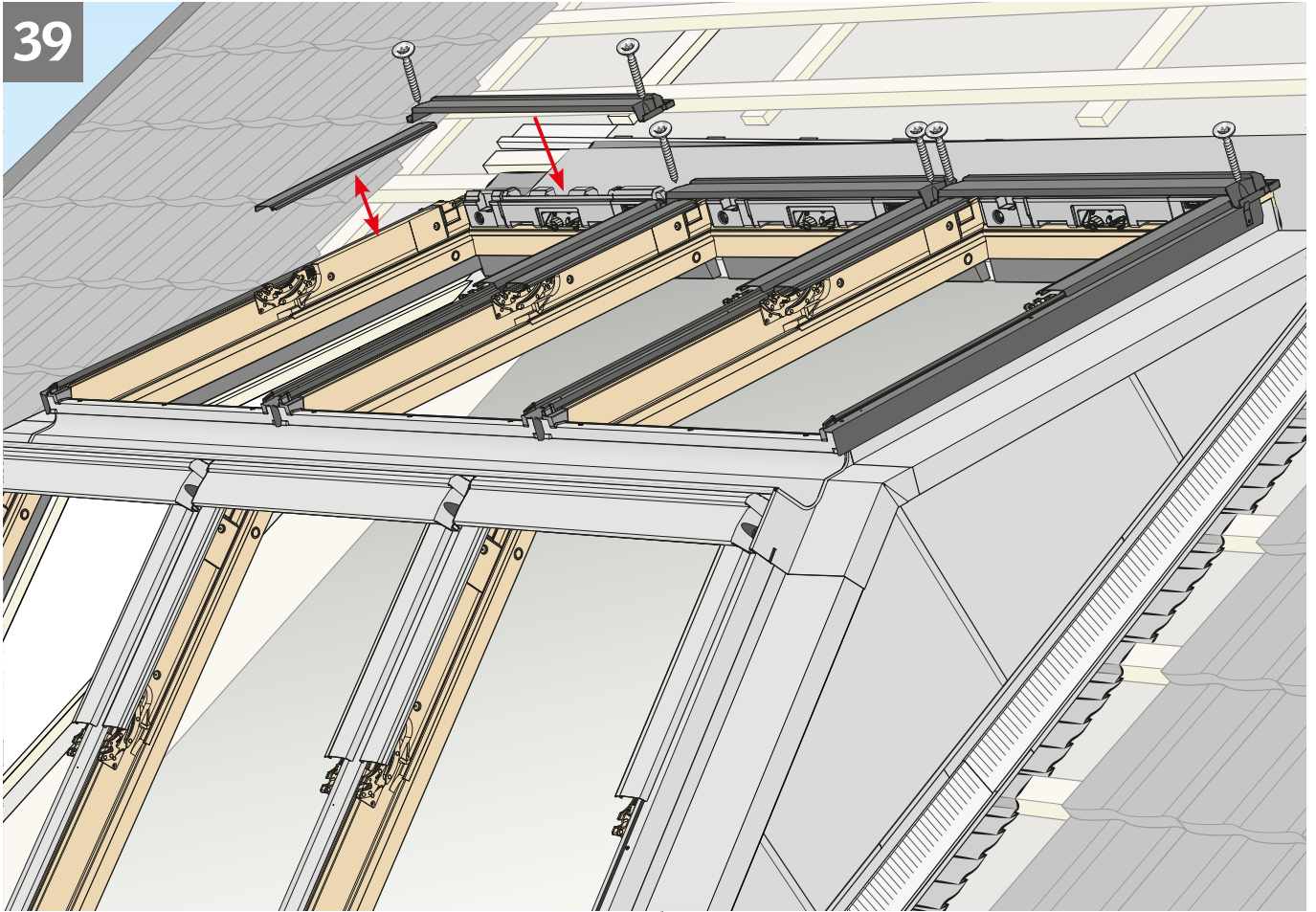
#1



4/6 x



39

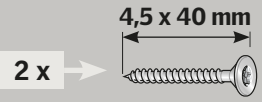
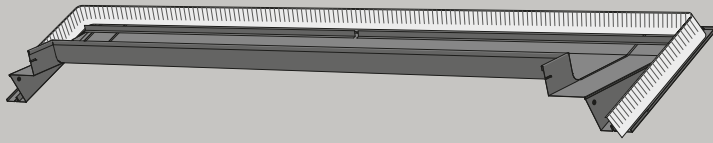


33

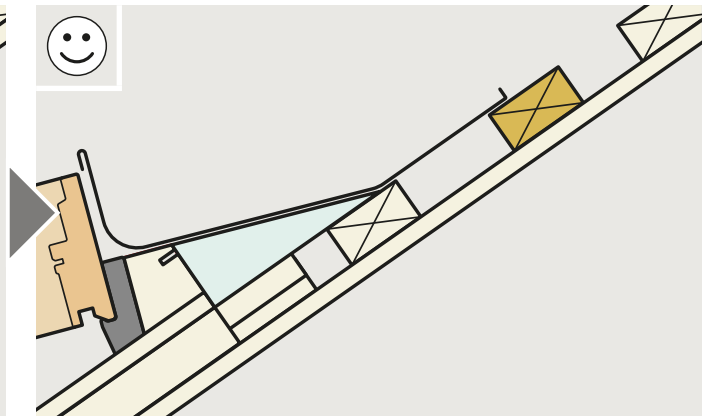
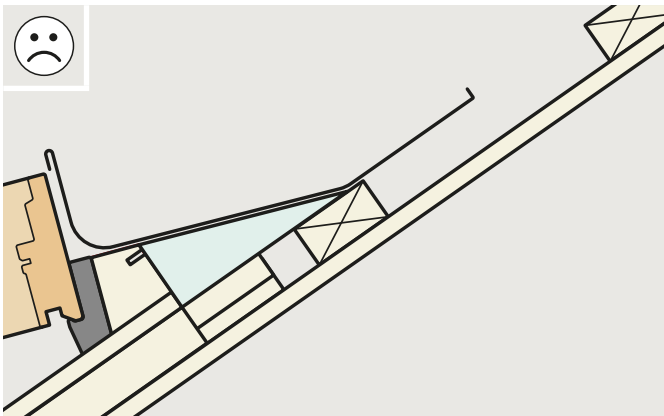
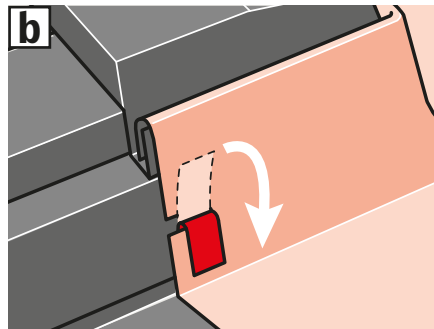
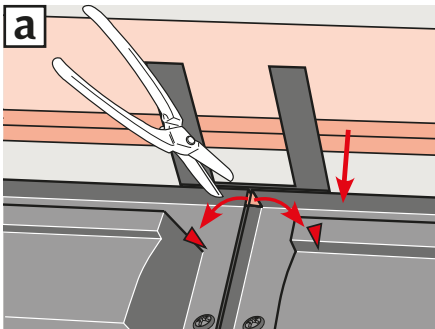
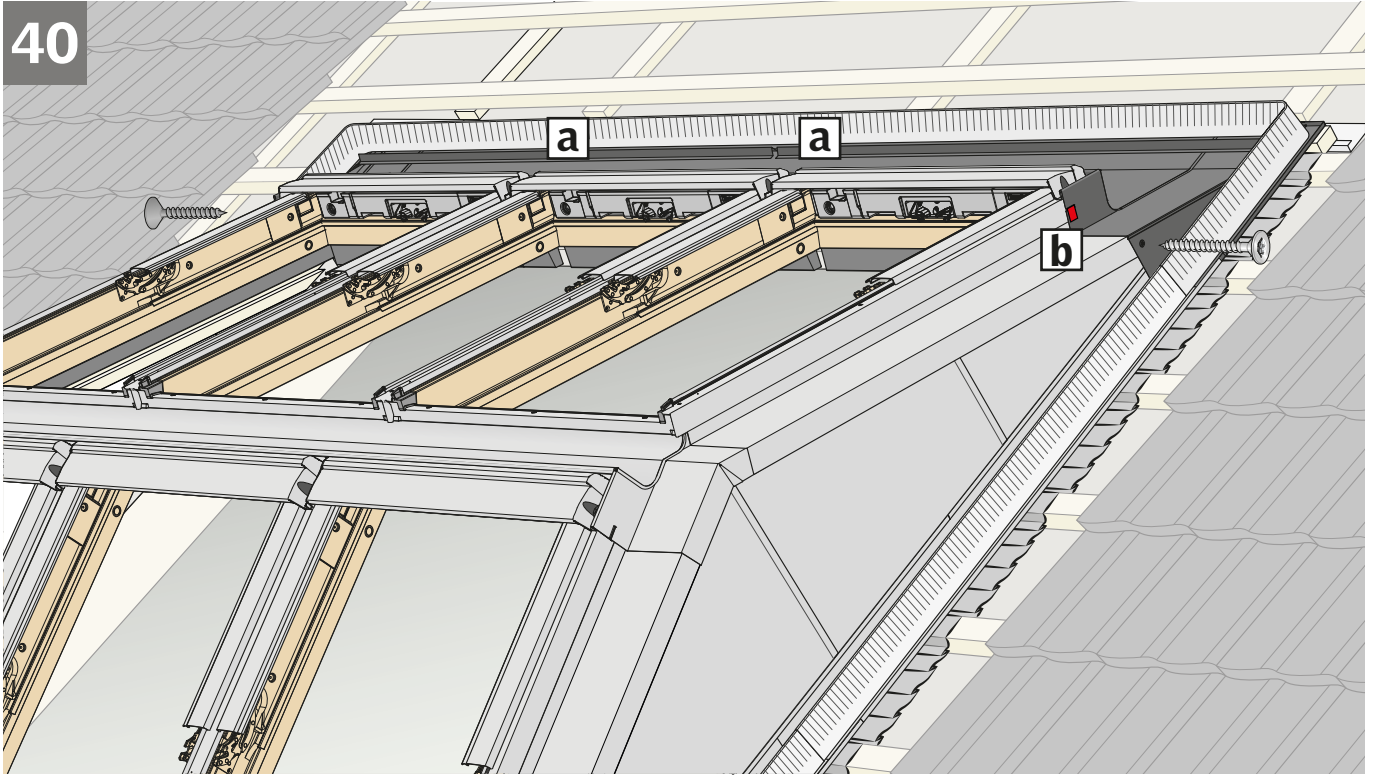
34

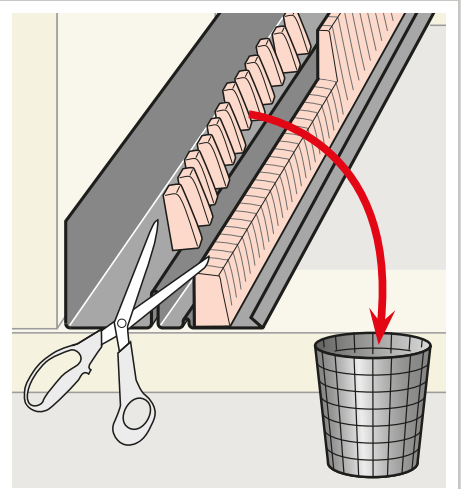
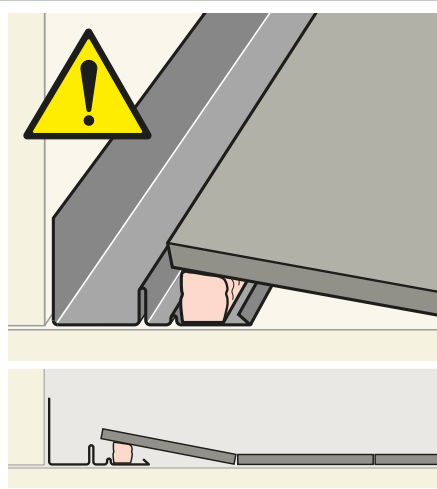
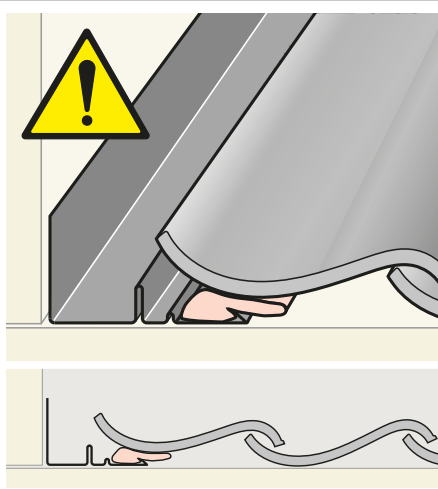
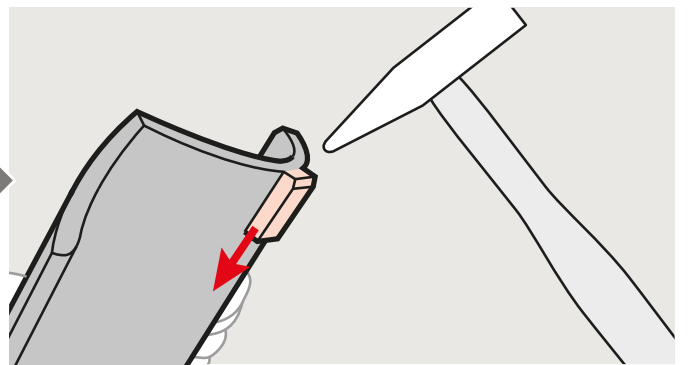
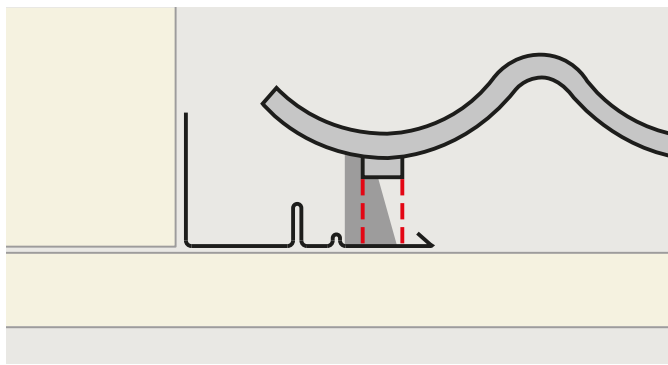
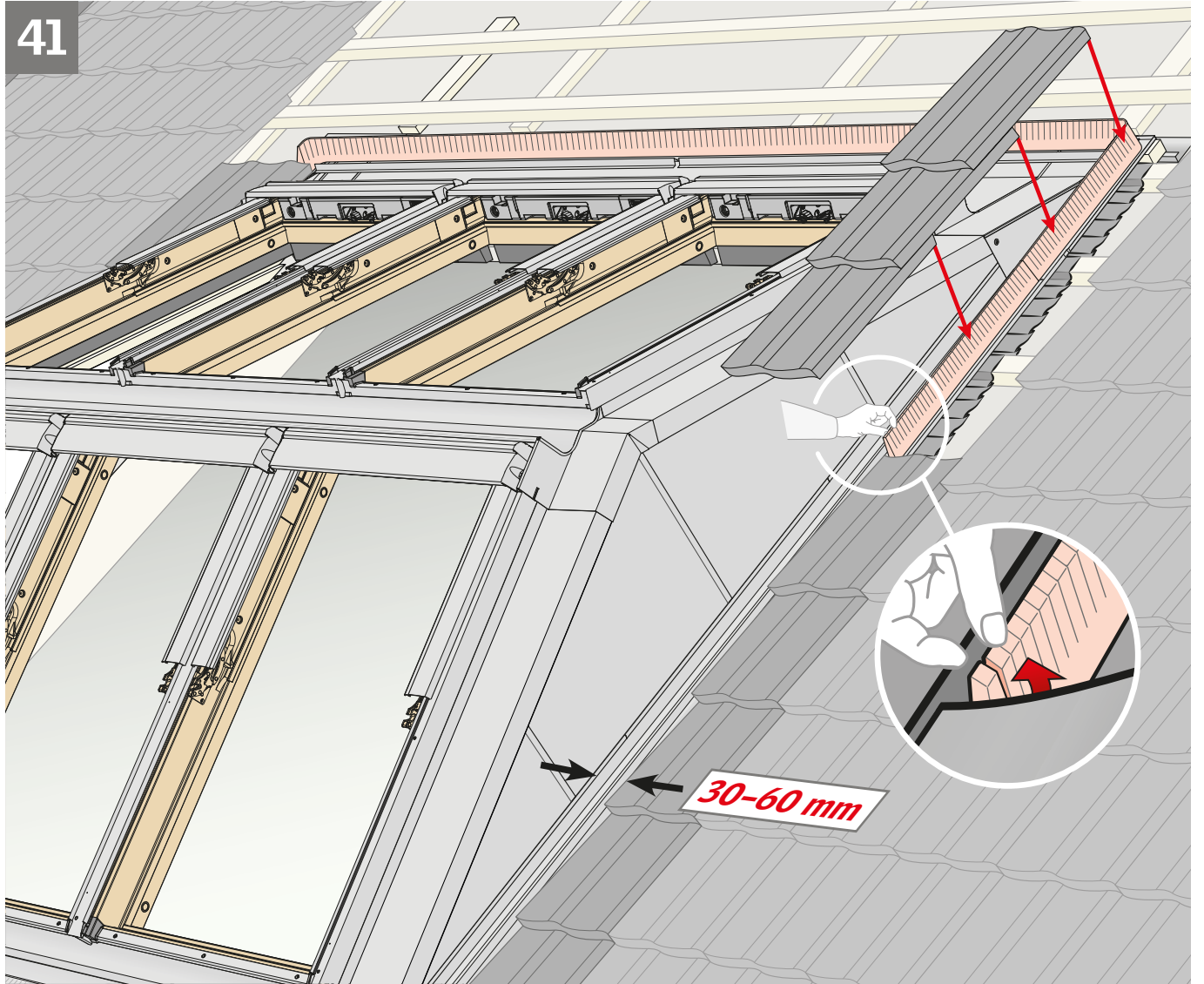
35

36

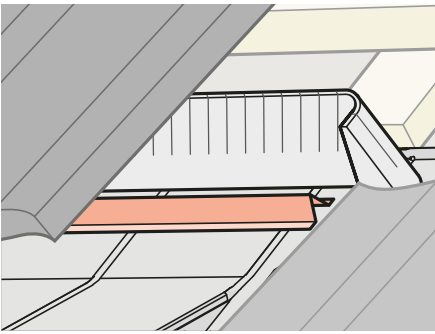
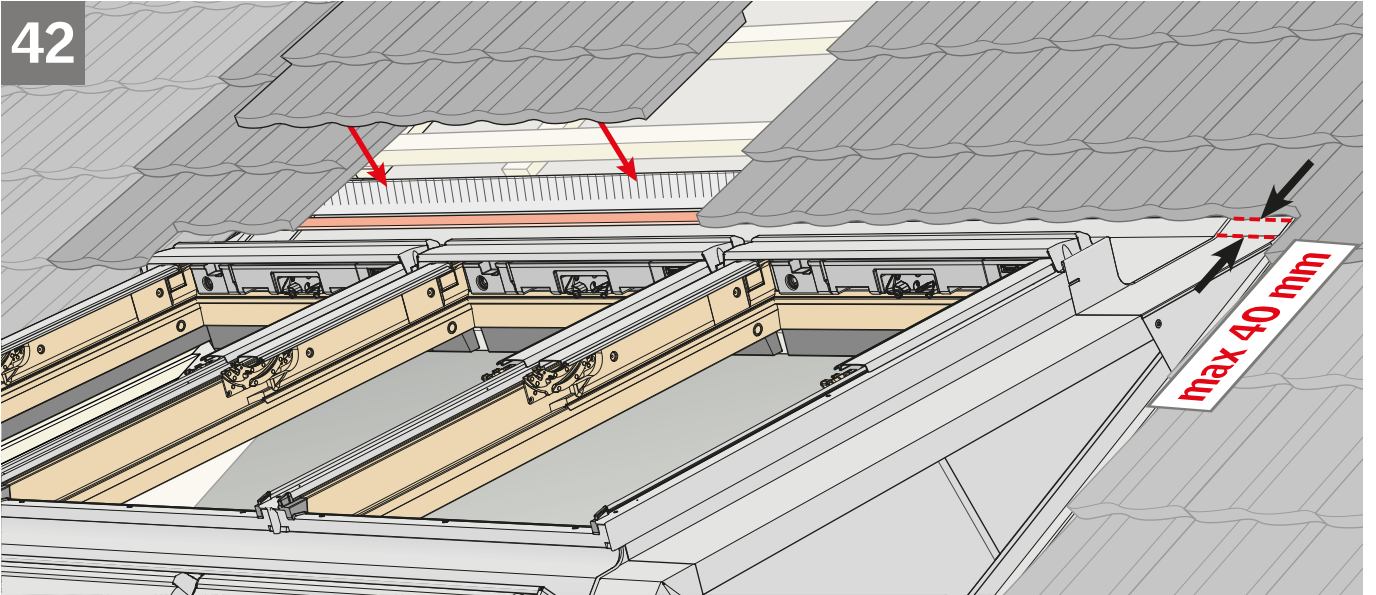


40

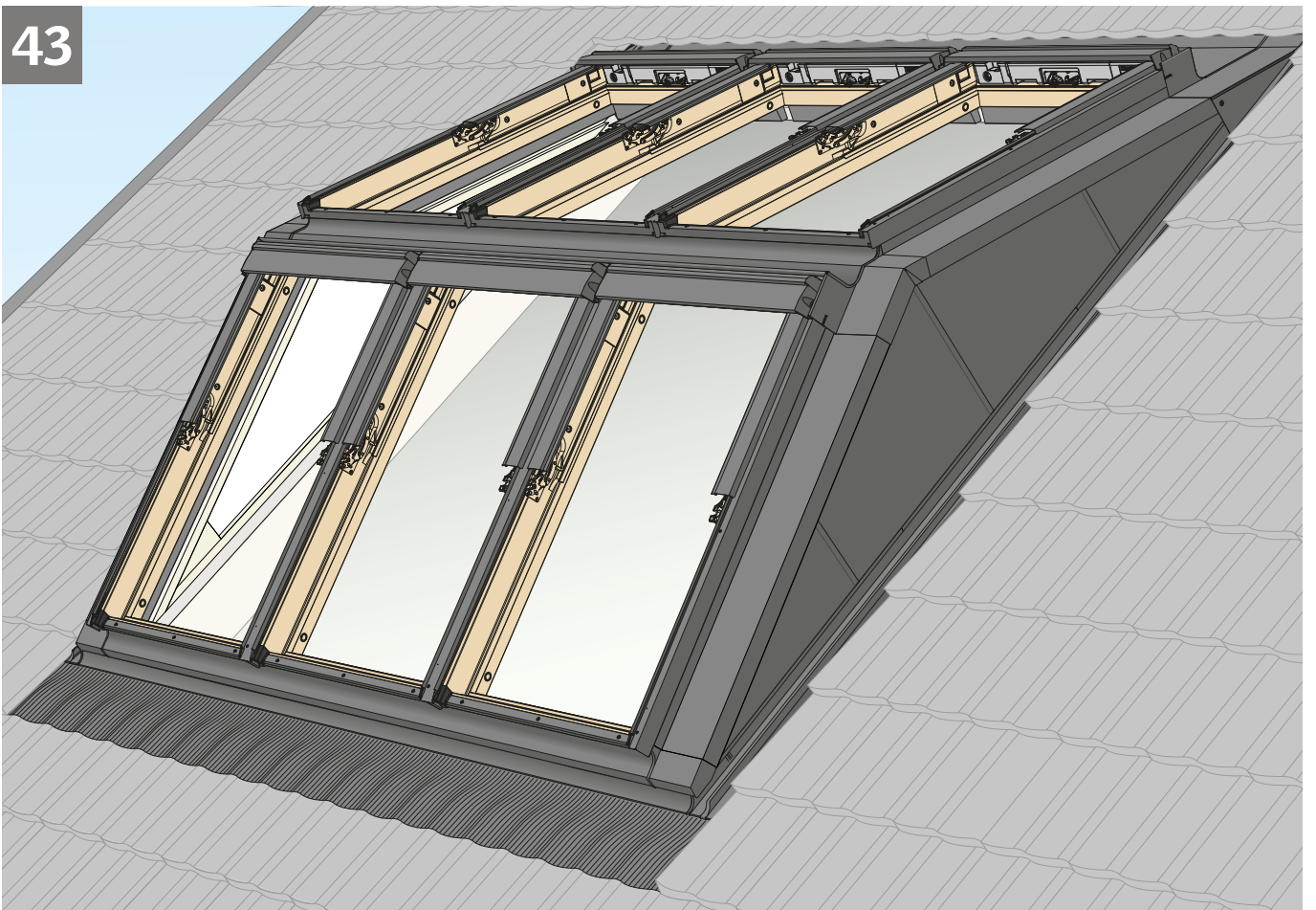




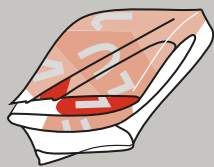
42



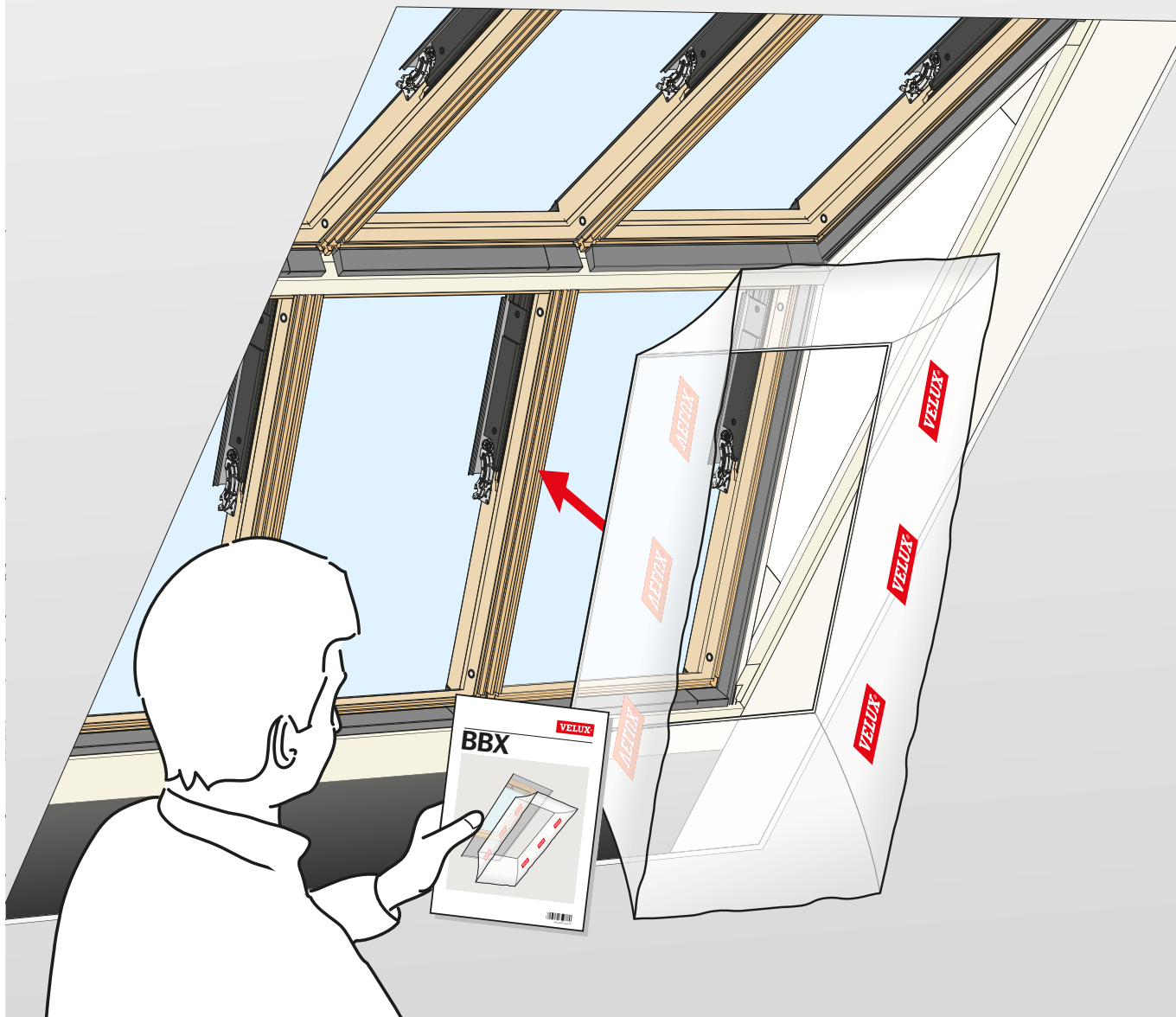
43



BBX

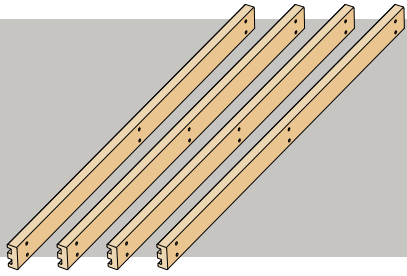


44





3



BP 2

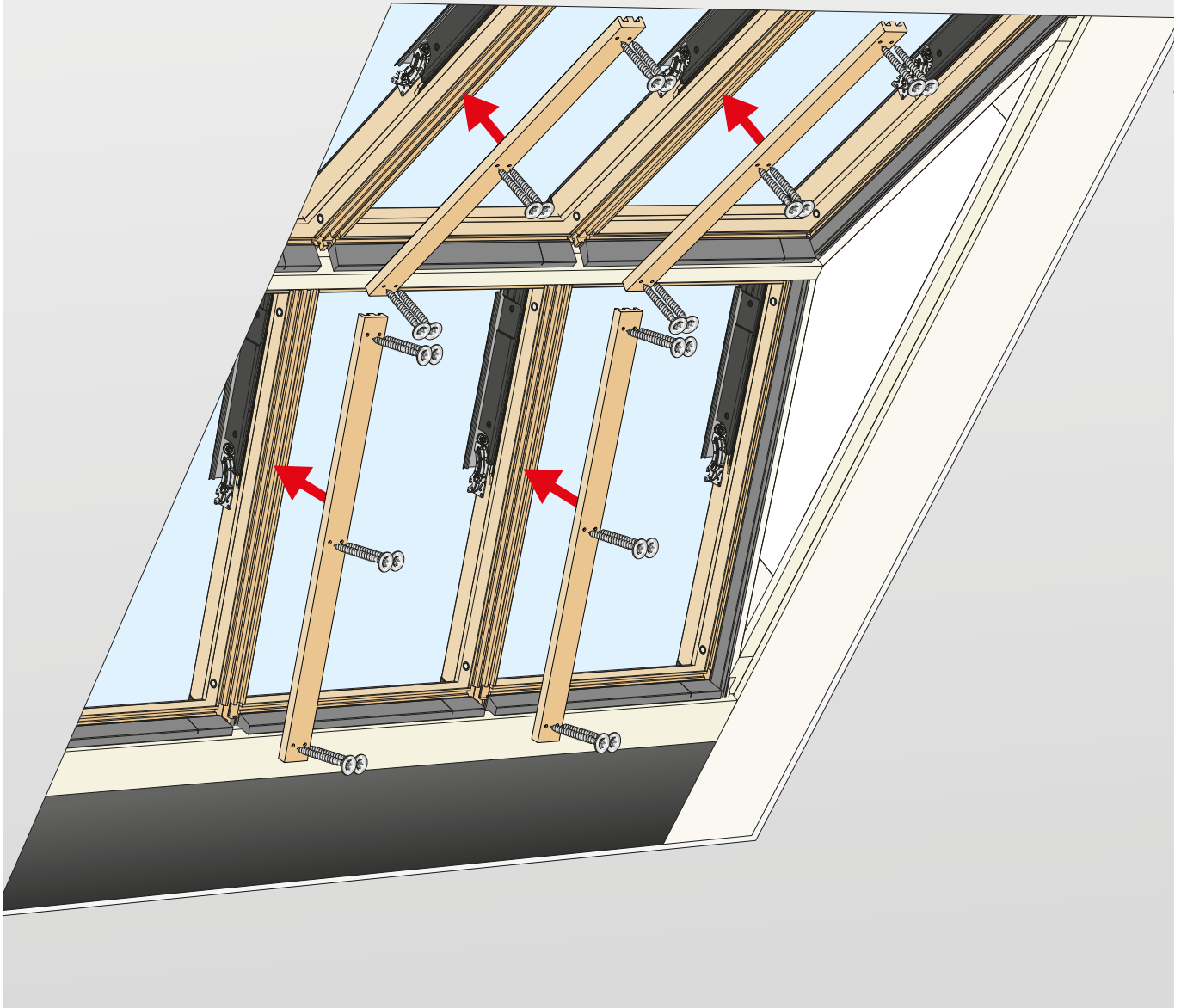


24 x

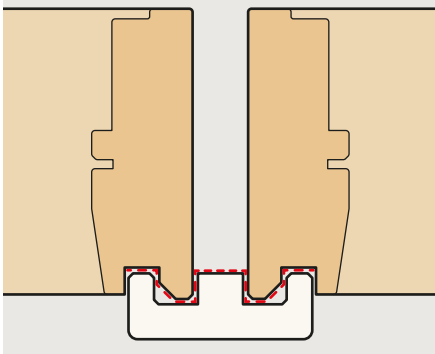
3,9 x 45 mm



45



BBX



AR: VELUX Argentina S.A.
348 4 639944

AT: VELUX Österreich GmbH
02245/32 3 50

AU: VELUX Australia Pty. Ltd.
1300 859 856

BA: VELUX Bosna i Hercegovina d.o.o.
033/626 493, 626 494

BE: VELUX Belgium
(010) 42.09.09

BG: ВЕЛУКС България ЕООД
02/955 99 30

BY: Унитарное предприятие
"ВЕЛЮКС Мансардные Окна"
(017) 329 20 89

CA: VELUX Canada Inc.
1 800 88-VELUX (888-3589)

CH: VELUX Schweiz AG
062 289 44 45

CL: VELUX Chile SpA
2 953 6789

CN: VELUX (CHINA) CO. LTD.
0316-607 27 27

CZ: VELUX Česká republika, s.r.o.
531 015 511

DE: VELUX Deutschland GmbH
040 / 54 70 70

DK: VELUX Danmark A/S
45 16 45 16

EE: VELUX Eesti OÜ
621 7790

ES: VELUX Spain, S.A.U.
91 509 71 00

FI: VELUX Suomi Oy
0207 290 800

FR: VELUX France
0821 02 15 15
0,119€ TTC/min

GB: VELUX Company Ltd.
01592 778 225

HR: VELUX Hrvatska d.o.o.
01/5555 444

HU: VELUX Magyarország Kft.
(06/1) 436-0601

IE: VELUX Company Ltd.
01 848 8775

IT: VELUX Italia s.p.a.
045/6173666

JP: VELUX-Japan Ltd.
0570-00-8141

KR: VELUX International (VELUX A/S)
+45 7632 9240

LT: VELUX Lietuva, UAB
(85) 270 91 01

LV: VELUX Latvia SIA
67 27 77 33

NL: VELUX Nederland B.V.
030 - 6 629 629

NO: VELUX Norge AS
22 51 06 00

NZ: VELUX New Zealand Ltd.
0800 650 445

PL: VELUX Polska Sp. z o.o.
(022) 33 77 000 / 33 77 070

PT: VELUX Portugal, Lda
21 880 00 60

RO: VELUX România S.R.L.
0268-402740

RS: VELUX Srbija d.o.o.
011 20 57 500

RU: ЗАО ВЕЛЮКС
(495) 640 87 20

SE: VELUX Svenska AB
042/20 83 80

SI: VELUX Slovenija d.o.o.
01 724 68 68

SK: VELUX Slovensko, s.r.o.
(02) 33 000 555

TR: VELUX Çatı Pencereleri
Ticaret Limited Şirketi
0 216 302 54 10

UA: ТОВ "ВЕЛЮКС Україна"
(044) 2916070

US: VELUX America LLC
1-800-88-VELUX

www.velux.com